

MODEL : LBH-1790S

List No : 1723-00

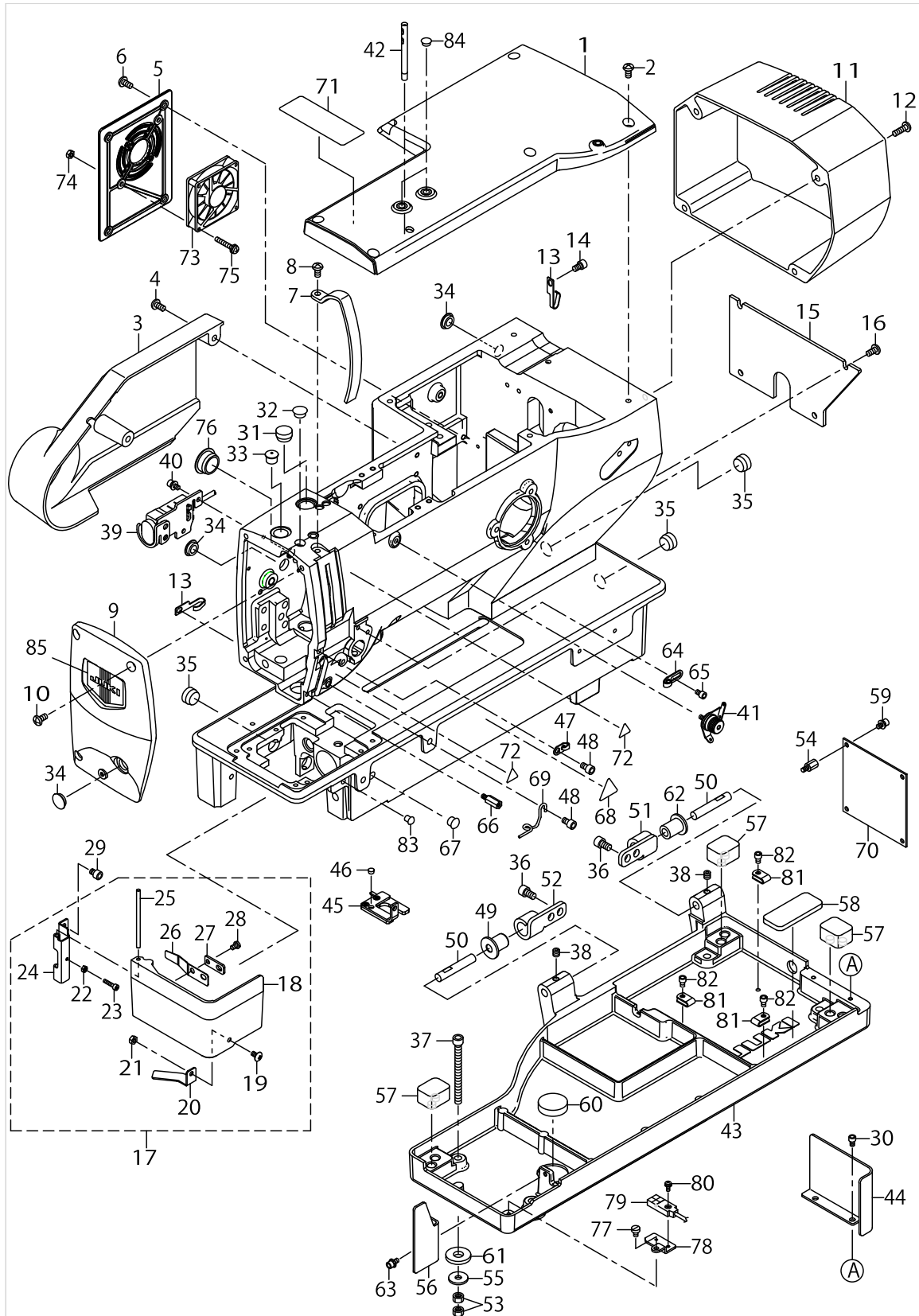
PARTS LIST

Published:02/14/2019

CONTENTS

FRAME & MISCELLANEOUS COVER COMPONENTS (1)	1
FRAME & MISCELLANEOUS COVER COMPONENTS (2)	5
MAIN SHAFT COMPONENTS	9
HOOKE DRIVING SHAFT COMPONENTS	13
PRESSER & FEED COMPONENTS	15
NEEDLE BAR ROCKING COMPONENTS	19
NEEDLE THREAD TRIMMER COMPONENTS.....	21
BOBBIN THREAD TRIMMER COMPONENTS.....	25
CLOTH CUTTING KNIFE COMPONENTS	29
TABLE COMPONENTS	31
OPERATION BOX COMPONENTS (ACCESSORIES OF A CONTROL BOX).....	33
CONTROL BOX COMPONENTS	35
WIRING DIAGRAM	39
ACCESSORIE PARTS COMPONENTS	41
THREAD STAND COMPONENTS.....	43
SPECIAL SPECIFICATIONS COMPONENTS (1).....	45
SPECIAL SPECIFICATIONS COMPONENTS (2).....	47
EXCHANGING PARTS.....	49
HOW TO MAKE USE OF THIS PARTS LIST	51

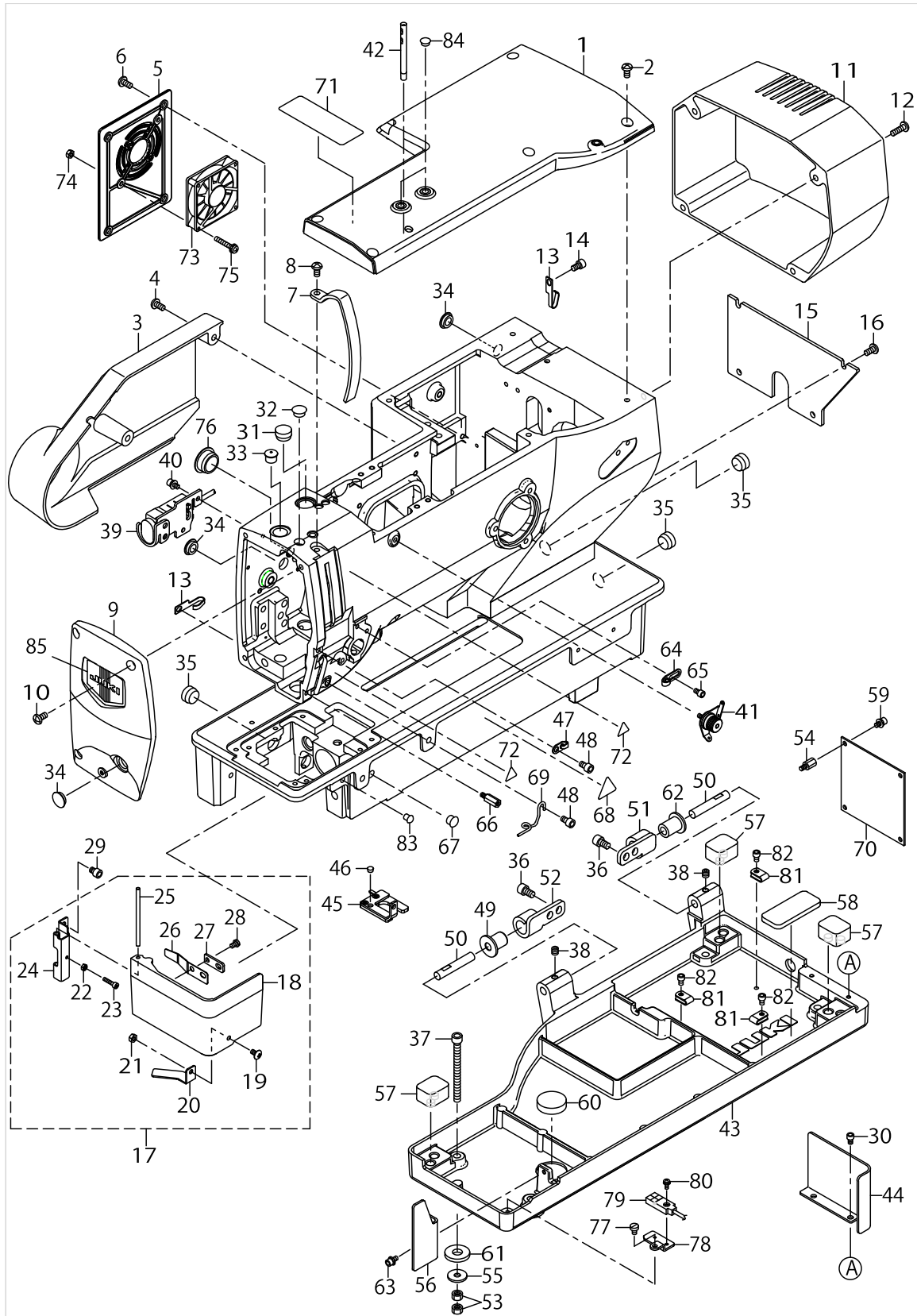
FRAME & MISCELLANEOUS COVER COMPONENTS (1)



FRAME & MISCELLANEOUS COVER COMPONENTS (1)

No.	Parts No.	Parts name	Remarks	Level	Cons	Qty
1	40203134	UPPER_COVER				1
2	SM4051055SP	SCREW				4
3	40189633	LEFT_COVER				1
4	SM4051055SP	SCREW				2
5	40189613	LEFT_COVER_B				1
6	SM4051055SP	SCREW				4
7	40189616	THREAD_TAKE_UP_LEVER_COVER				1
8	SM4051055SP	SCREW				1
9	40189617	FRONT_COVER				1
10	SM4051055SP	SCREW				3
11	40189615	MOTOR_COVER				1
12	SM4051655SP	SCREW M5 L=16				4
13	26230409	LUBRICATING OIL WICK STOPPER				2
14	SM6050802TP	SCREW M5X0.8 L=8				1
15	40189614	REAR_COVER				1
16	SM4051055SP	SCREW				4
17	40189635	HOOK_OIL_SHIELD_COVER_COMPL				1
18	40189636	HOOK_OIL_SHIELD_COVER		*		1
19	SM0040801SC	SCREW		*		1
20	40145328	SENSOR SLIT PLATE C		*		1
21	NM6040001SC	NUT M4X0.7 TYPE1		*		1
22	NM6030001SD	NUT M3X0.5		*		1
23	SM6031402TP	SCREW		*		1
24	13703806	HOOK OIL SHIELD HINGE		*		1
25	13703905	HINGE PIN		*		1
26	40141710	HINGE_SPRING		*	☆	1
27	40141711	HINGE_SPRING_WASHER		*		1
28	SM4040655SP	SCREW M4 L=6		*		1
29	SM6050652TP	HEXAGON SOCKET HEAD SCREW M5X6				2
30	SM6040602TP	SCREW M4 L=6				2
31	TA1550902R0	PLUG				1
32	TA1050504R0	RUBBER PLUG				1
33	40141795	PBL_METAL_CAP				1
34	TA1250406R0	RUBBER PLUG D=12.5 L=4				3
35	TA1550902R0	PLUG				3
36	SM6061002TP	SCREW M6 L=10	ACCESSORIE PARTS			4
37	SM6067052TP	HEXAGON BOLT				1
38	SM80606A2TP	SCREW M6 L=6				2
39	40189631	SWITCH ASM.				1
40	SL6040892TN	SCREW				2
41	40050700	PRE-TENSION CONTROLLER ASM.				1
42	22502504	THREAD GUIDE BAR	ACCESSORIE PARTS			1
43	40189634	BED_BASE_N				1
44	40189618	BED_REAR_COVER				1
45	40141706	ASSY_LED_DEVICE			☆	1
46	TA0500301R0	PLUG 5X5.8 L=3				1
47	13922208	TAKE-UP THREAD GUIDE B				1

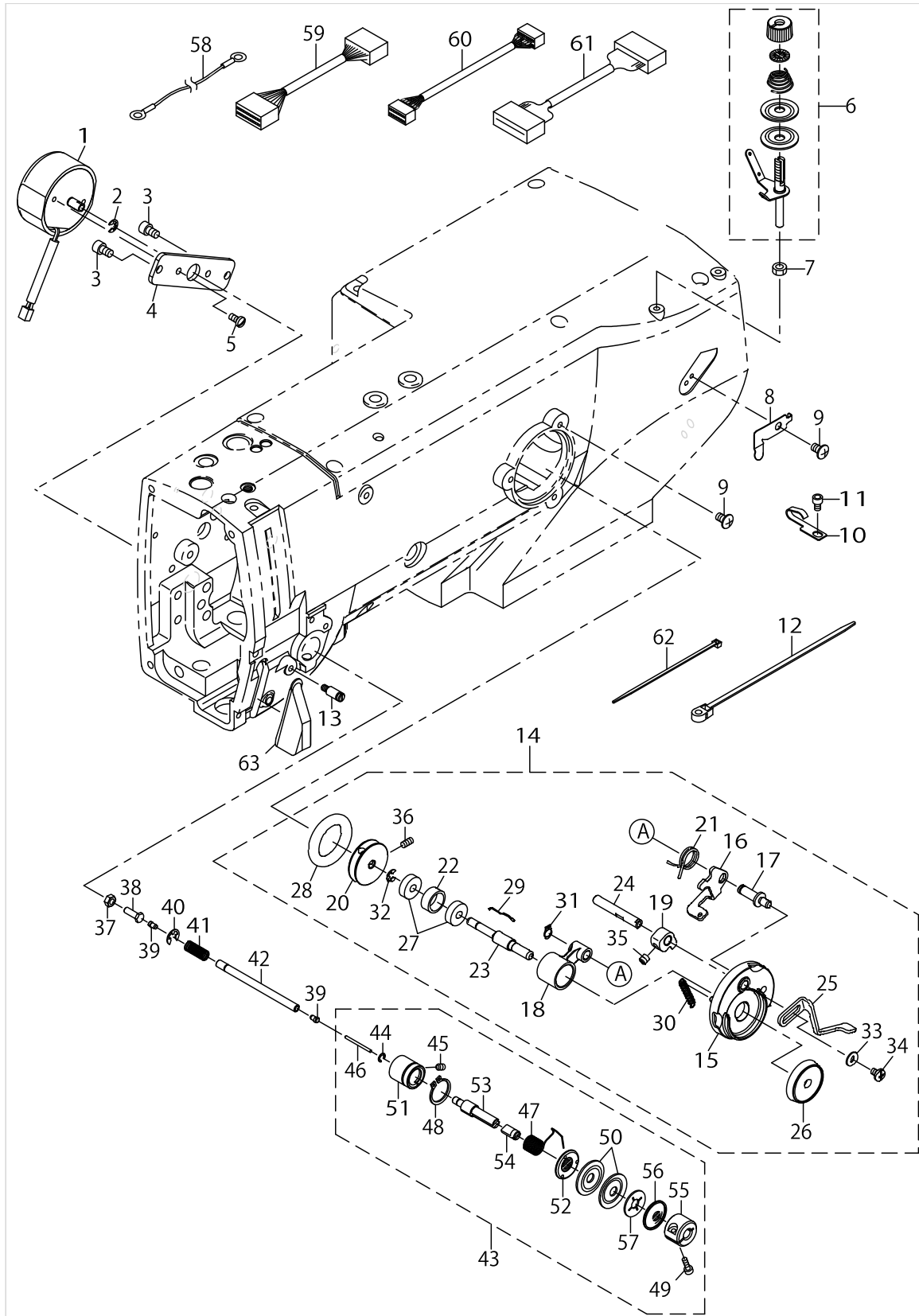
FRAME & MISCELLANEOUS COVER COMPONENTS (1)



FRAME & MISCELLANEOUS COVER COMPONENTS (1)

No.	Parts No.	Parts name	Remarks	Level	Cons	Qty
48	SM6050802TP	SCREW M5X0.8 L=8				2
49	40006314	HINGE_BUSH	ACCESSORIE PARTS			1
50	13700604	HINGE PIN				2
51	13700406	HINGE PLATE A	ACCESSORIE PARTS			1
52	13700505	HINGE PLATE B	ACCESSORIE PARTS			1
53	NM6060001SD	NUT M6				2
54	KX000000380	SPACER				4
55	WP0612056SD	WASHER 6.1X18.5X2				1
56	13943303	OIL SHIELD	ACCESSORIE PARTS			1
57	40008977	RUBBER C				3
58	40008978	RUBBER D				1
59	SL6040892TN	SCREW				4
60	E2002855000	Z STOPPER RUBBER				1
61	D6056555B00	RUBBER CUSHION (B)				1
62	13700703	RUBBER HINGE	ACCESSORIE PARTS			1
63	SL6040892TN	SCREW	ACCESSORIE PARTS			1
64	40009037	TAKE-UP THREAD GUIDE A				1
65	SM6040602TP	SCREW M4 L=6				1
66	40141713	STUD				1
67	TA0850604R0	RUBBER PLUG				1
68	CM300200003	ATTENTION LABEL				1
69	13705405	NEEDLE BAR THREAD GUIDE				1
70	40138611	INT PCB ASSY				1
71	CM301300001	SAFETY LABEL				1
72	CM300200001	ATTENTION SEAL				2
73	40111214	FAN MOTOR ASSY				1
74	NM6040001SC	NUT M4X0.7 TYPE1				2
75	SL4042591SC	SCREW M4 L=25				2
76	TA2100904R0	RUBBER PLUG				1
77	SM6040650TP	SCREW				1
78	40145327	SENSOR PALTE C				1
79	40141483	COVER SENSOR ASSY				1
80	SL4030881SC	SCREW M3 L=8				1
81	HX001500000	CLIP				3
82	SM6040602TP	SCREW M4 L=6				3
83	TA0550604R0	RUBBER PLUG				1
84	TA0750404R0	PLUG D=7.5 L=3.5				2
85	22902506	FACE_COVER_PLATE				1

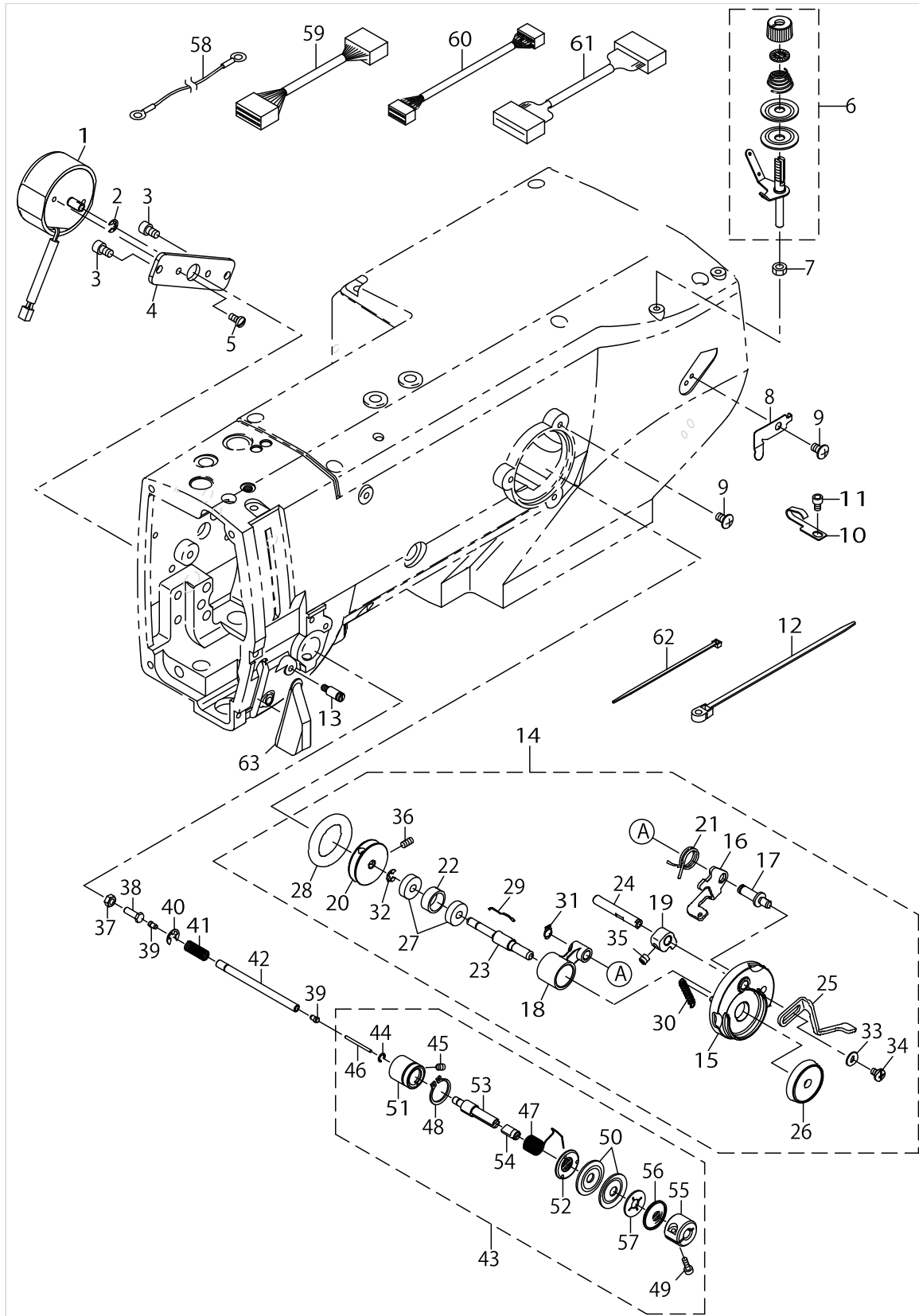
FRAME & MISCELLANEOUS COVER COMPONENTS (2)



FRAME & MISCELLANEOUS COVER COMPONENTS (2)

No.	Parts No.	Parts name	Remarks	Level	Cons	Qty
1	40174350	AT_SOLENOID_A				1
2	RE0400000K0	E-RING 4				1
3	SM6050802TP	SCREW M5X0.8 L=8				2
4	40203121	AT SOLENOID FITTING PLATE				1
5	SM7040800SL	SCREW				2
6	40091212	BOBBIN_THREAD_TENSION_ASM.				1
7	NM6050001SD	NUT M5X0.8				1
8	40037008	THREAD_CUTTER			☆	1
9	SM0050801SC	SCREW				4
10	26230409	LUBRICATING OIL WICK STOPPER				3
11	SM6040602TP	SCREW M4 L=6				2
12	HX00151000A	CABLE BAND				2
13	40004252	UTT_SUSPENSION_SCREW_9				1
14	40189628	ASSY_BTW				1
15	40189600	BTW_BASE		*		1
16	26260208	BTW_CAM_PLATE		*		1
17	26260307	BTW_BASE_SHAFT		*		1
18	26260406	BTW_SHAFT_BASE		*		1
19	26260505	BTW_CAM_LEVER		*		1
20	26260604	BTW_WHEEL		*		1
21	40011144	BTW_TORSION_SPRING		*		1
22	26260802	BTW_BEARING_SPACER		*		1
23	40011145	BTW_SHAFT		*		1
24	40011146	BTW_LEVER_SHAFT		*		1
25	40021933	BTW_LEVER		*		1
26	26261206	BTW_SPACER		*		1
27	26261305	BTW_BEARING		*		2
28	26261503	BTW_WHEEL_RUBBER		*	☆	1
29	26261602	BOBBIN_SPRING		*	☆	1
30	26261701	BTW_SPRING		*		1
31	RC0560711KP	RETAINING RING		*		1
32	RE0400000K0	E-RING 4		*		1
33	WP0450826SC	WASHER 4.5X10X0.8		*		1
34	SM5040655SN	SCREW		*		1
35	SM8050502TP	SCREW M5 L=5		*		1
36	SM8040802TP	SCREW M4X8		*		2
37	NM6040000SN	NUT M4				1
38	40174311	SCREW				1
39	26201004	PIN GUIDE				2
40	RE0500000K0	E-RING				1
41	22920409	THREAD RELEASE PIN SPRING				1
42	40191268	THREAD_TENSION_SHAFT				1
43	40172470	THREAD_TENSION_ASM				1
44	RC0410415KP	C-RING		*		1
45	SM8040612TP	SCREW M4 L=6		*		1
46	B3118552H00	THREAD RELEASE PIN		*		1
47	22921605	THREAD TAKE-UP SPRING		*	☆	1

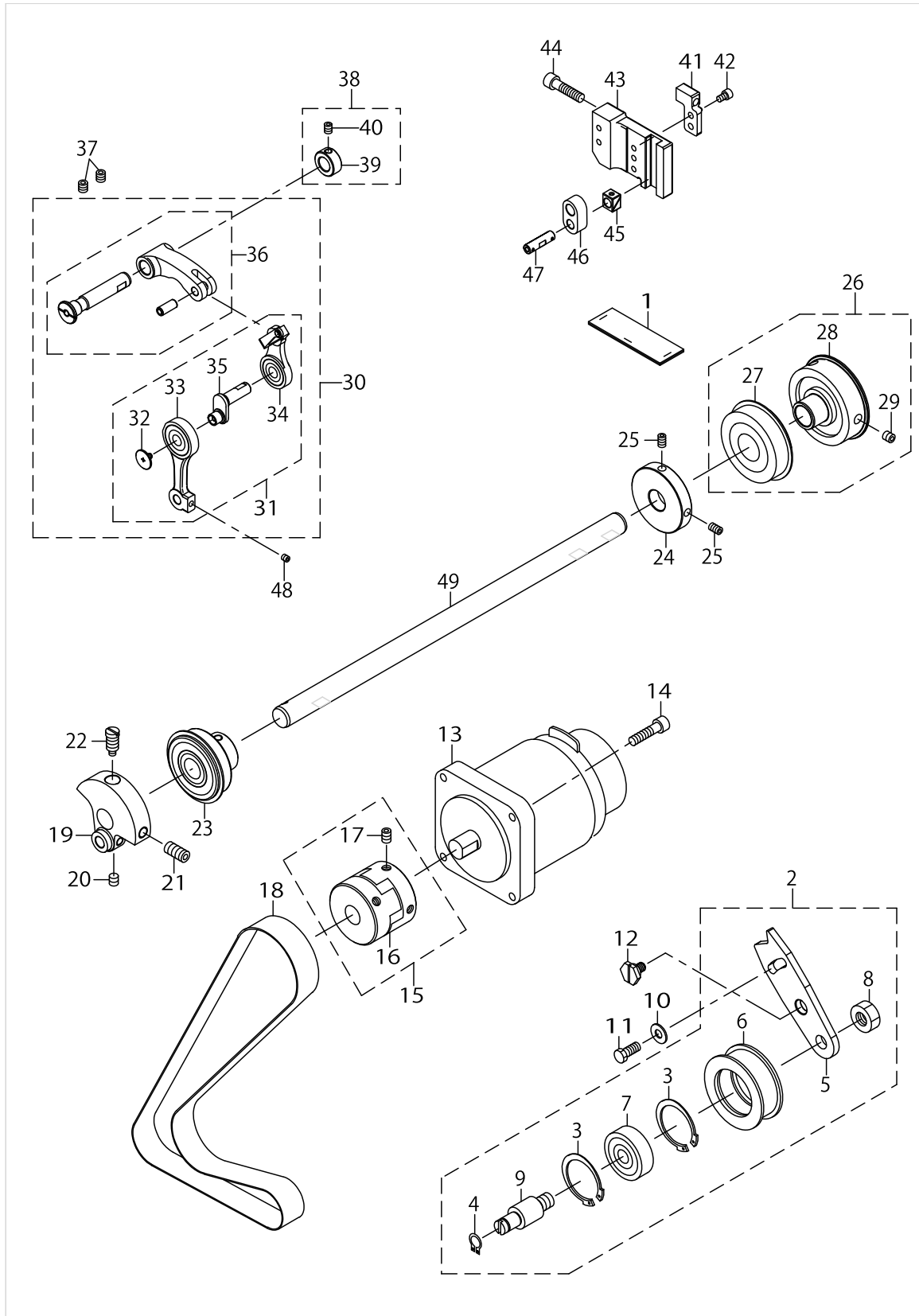
FRAME & MISCELLANEOUS COVER COMPONENTS (2)



FRAME & MISCELLANEOUS COVER COMPONENTS (2)

No.	Parts No.	Parts name	Remarks	Level	Cons	Qty
48	RC1700001KP	C-RING		*		1
49	SM6031002TN	SCREW M3 L=10		*		1
50	22921506	THREAD TENSION DISK		*		2
51	40174313	TENSION_POST_BASE_ASM		*		1
52	40126724	TENSION_DISC HOLDER		*		1
53	40172472	AT_SHAFT		*		1
54	40172473	DISK_STOPPER HOLDER_CAP_PIN		*		1
55	40172474	DISK_STOPPER HOLDER_CAP		*		1
56	B3132012000	TENSION DISC HOLDER		*		1
57	40174312	THREAD_TENSION_DISK_RUBBER		*	☆	1
58	14115554	HEAD GROUND CABLE A ASM.				1
59	40141478	INT CORE B ASSY				1
60	40141479	INT CORD C ASSY				1
61	40141477	INT CORD A ASSY				1
62	EA9500B0100	CABLE BAND				10
63	13705207	THREAD PATH GUIDE PLATE				1

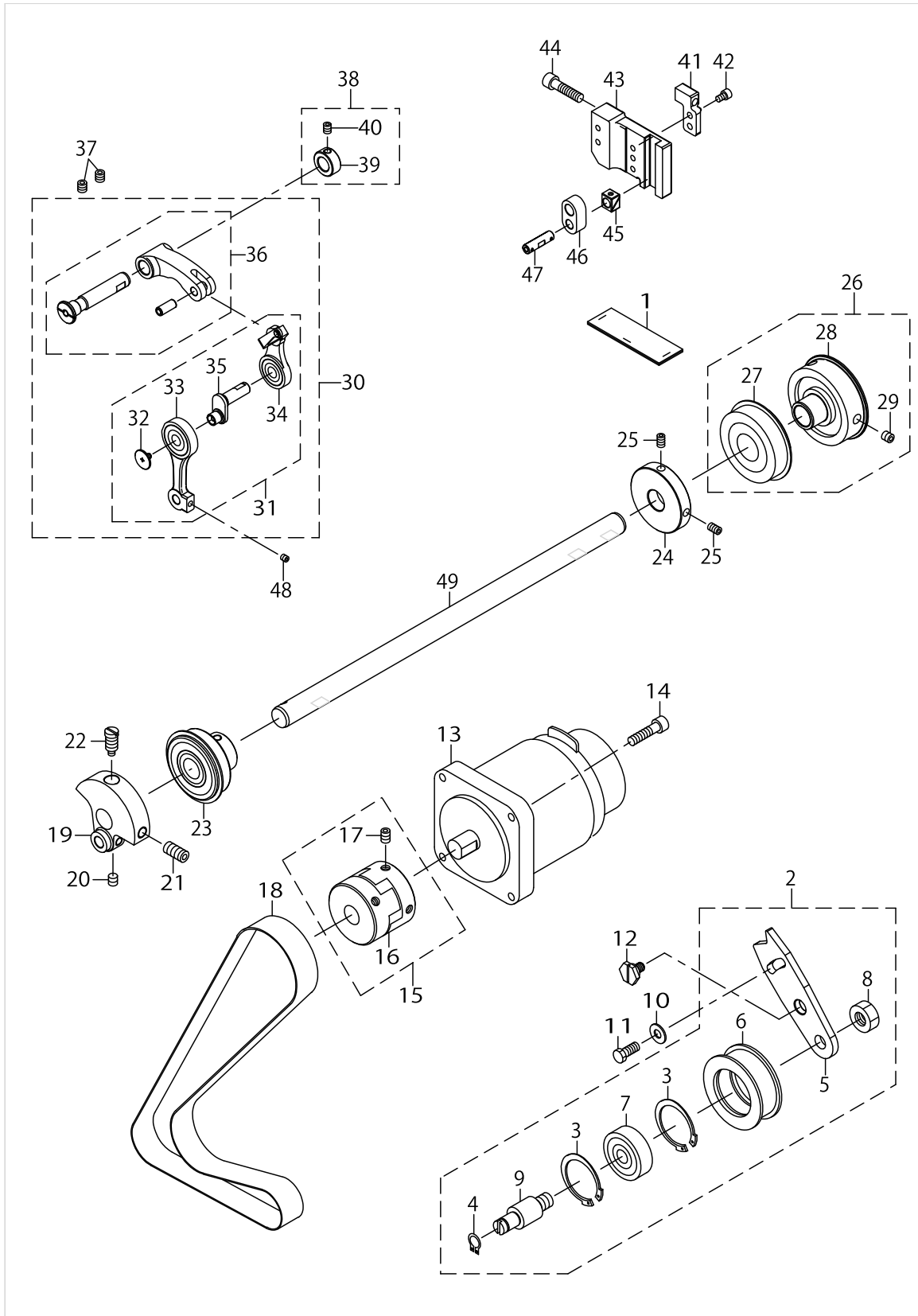
MAIN SHAFT COMPONENTS



MAIN SHAFT COMPONENTS

No.	Parts No.	Parts name	Remarks	Level	Cons	Qty
1	40011517	NEEDLE_BAR_CRANK_FELT				1
2	40142152	IDLER_ASSY				1
3	RC3781518KP	RETAINING RING		*		2
4	RC0100001KP	SNAP RING M10		*		1
5	40143150	IDLER FIXED PLATE		*		1
6	40141721	IDLER_PULLEY		*		1
7	SB110000700	BALL BEARING		*		1
8	NM6100001SD	NUT M10		*		1
9	40141720	IDLER_SHAFT		*		1
10	WP0621046SP	WASHER				1
11	SM9061403CP	SCREW M6 L=14				1
12	40004185	HINGE_SCREW				1
13	40138137	IPM550W MOTOR				1
14	SM6052002TR	SCREW M5 L=20				4
15	40051473	COUPLING ASM.				1
16	40051474	COUPLING		*		1
17	SM80608A2TP	SCREW M6 L=8		*		4
18	40141719	TIMING_BELT				1
19	40141716	COUNTER_WEIGHT				1
20	SM80606A2TP	SCREW M6 L=6				1
21	SM8081652TP	SCREW M8 L=16				1
22	40004171	COUNTER_WEIGHT_SCREW				1
23	40150011	FRONT_BEARING				1
24	40010534	BTW_DRIVING_WHEEL				1
25	40010535	DRIVING_WHEEL_SCREW				2
26	40210180	ASSY MAIN SHAFT BEARING				1
27	SB1200008C0	BEARING		*		1
28	40203064	SPROCKET_A		*		1
29	SM80606A2TP	SCREW M6 L=6		*		2
30	40141725	THREAD_TAKE_UP_COMP				1
31	40141726	THREAD_TAKE_UP_ASM_C		*		1
32	22918304	SCREW		*		1
33	40142880	NEEDLE_BAR_CRANK_ROD_ASM.		*		1
34	40141727	THREAD_TAKE_UP_ASM_B		*		1
35	40141730	NEEDLE_BAR_CRANK		*		1
36	40142878	TAKE_UP_CRANK_ASM.		*		1
37	SM80608A2TP	SCREW M6 L=8				2
38	40203068	THRUST COLLAR ASM				1
39	40203090	THRUST COLLAR		*		1
40	SM80506A2TP	SCREW M5 L=6		*		1
41	40203150	AT SHAFT BASE				1
42	SM6040602TP	SCREW M4X0.7 L=6				2
43	40203152	SQUARE_BLOCK_GUIDE				1
44	SM6062502TP	SCREW M6 L=25				3
45	40203139	SQUARE BLOCK				1
46	40203125	NEEDLE BAR ROD				1
47	40203137	NEEDLE CRANK SHAFT				1

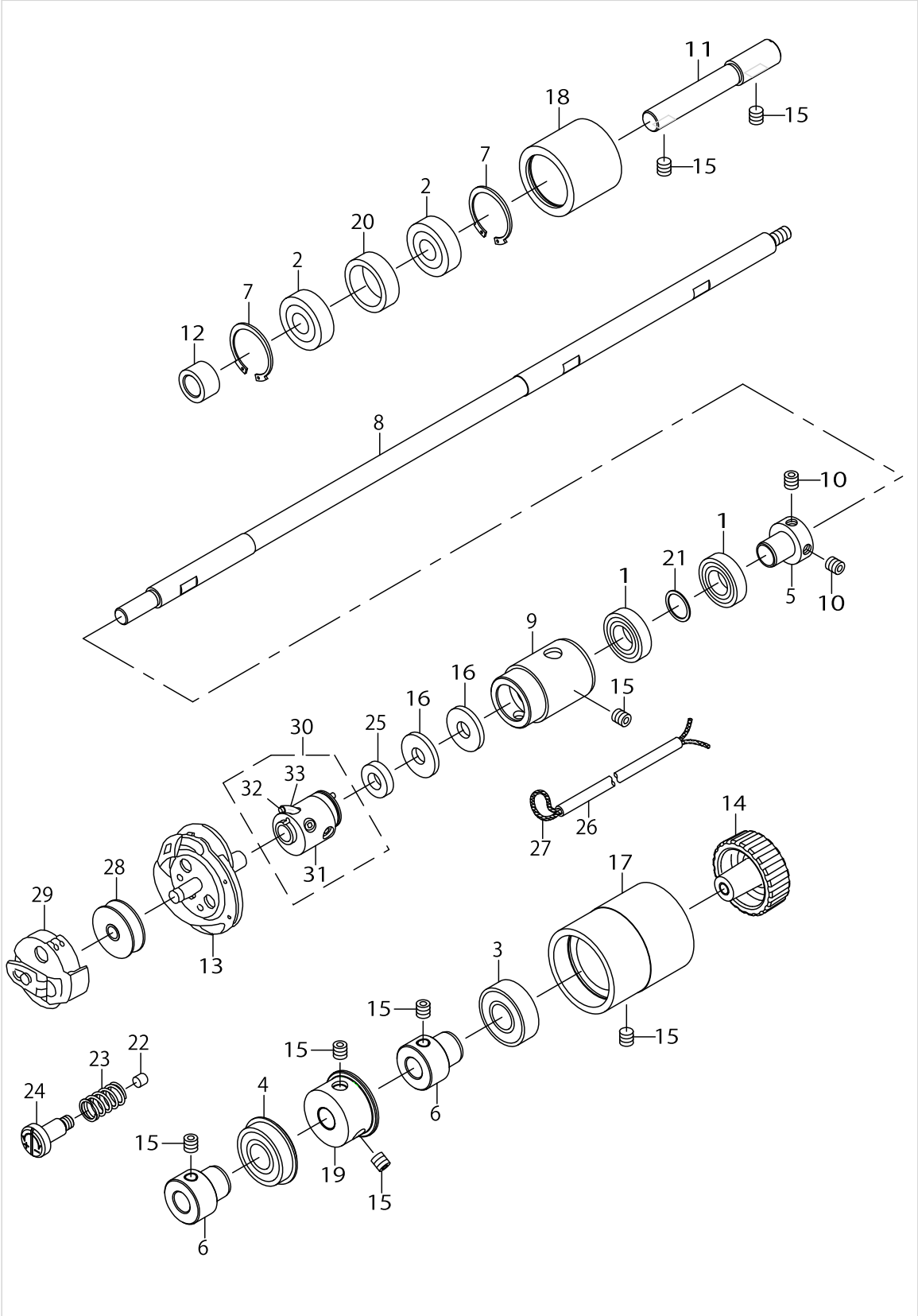
MAIN SHAFT COMPONENTS



MAIN SHAFT COMPONENTS

No.	Parts No.	Parts name	Remarks	Level	Cons	Qty
48	SM8040412TP	SET SCREW M4 L=4				1
49	40141717	MAIN_SHAFT				1

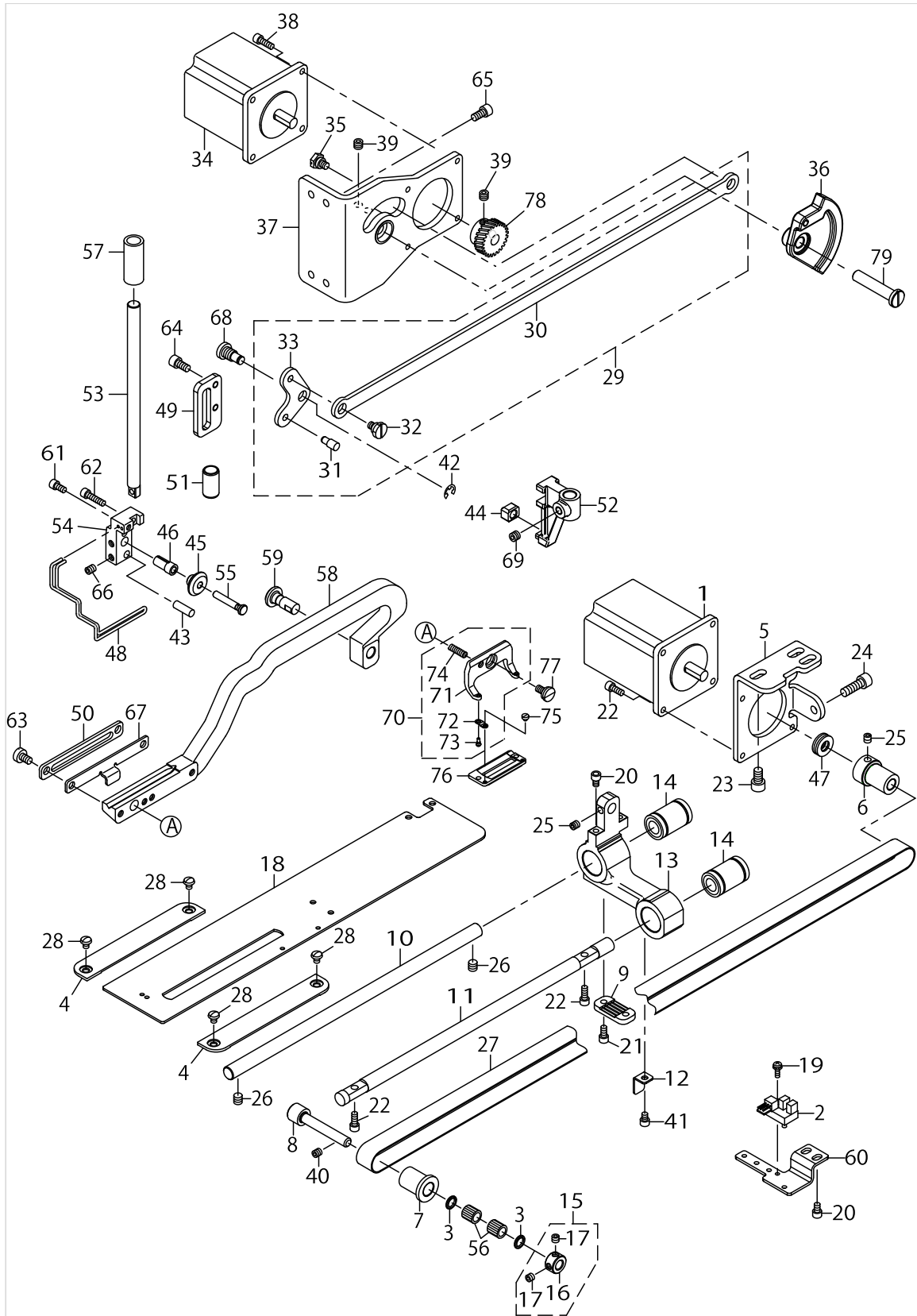
HOOK DRIVING SHAFT COMPONENTS



HOOK DRIVING SHAFT COMPONENTS

No.	Parts No.	Parts name	Remarks	Level	Cons	Qty
1	SB112001600	BEARING				2
2	SB110000600	BALL BEARING				2
3	SB115000200	BEARING				1
4	SB115001500	BEARING				1
5	40004188	BEARING_SUPPORT				1
6	40203086	LOWER SHAFT INNER BUSH				2
7	RC2791218KP	RETAINING RING				2
8	40004186	HOOK_DRIVING_SHAFT				1
9	40004187	HOOK_DRIVING_SHAFT_METAL				1
10	SM8050502TP	SCREW M5 L=5				2
11	13710306	INTERMEDIATE SPROCKET SHAFT				1
12	13710504	INTERMEDIATE SPROCKET WASHER				1
13	13729066	HOOK COMPL.			☆	1
14	40141739	LOWER_SHAFT_KNOB_B				1
15	SM80606A2TP	SCREW M6 L=6				8
16	40011355	OIL_FILTER				2
17	14504401	BEARING SUPPORT				1
18	40004180	SPROCKET_B				1
19	40203065	SPROCKET_C				1
20	13710405	INTERMEDIATE SPROCKET RING				1
21	40006317	WASHER				1
22	40142753	ADJUSTING_PIN_B				1
23	40142754	ADJUSTING_SPRING_B				1
24	40142752	ADJUSTING_SCREW_B				1
25	40006320	FELT				1
26	23630007	TUBE				1
27	CQ202000000	OIL WICK				1
28	B1811771000	BOBBIN			☆	1
29	13729769	BOBBIN CASE ASM.			☆	1
30	13729652	HOOK SLEEVE CONNEC.				1
31	13729603	HOOK SLEEVE		*		1
32	CQ252000000	OIL WICK		*		0.04
33	HX002550000	TUBE		*		0.017

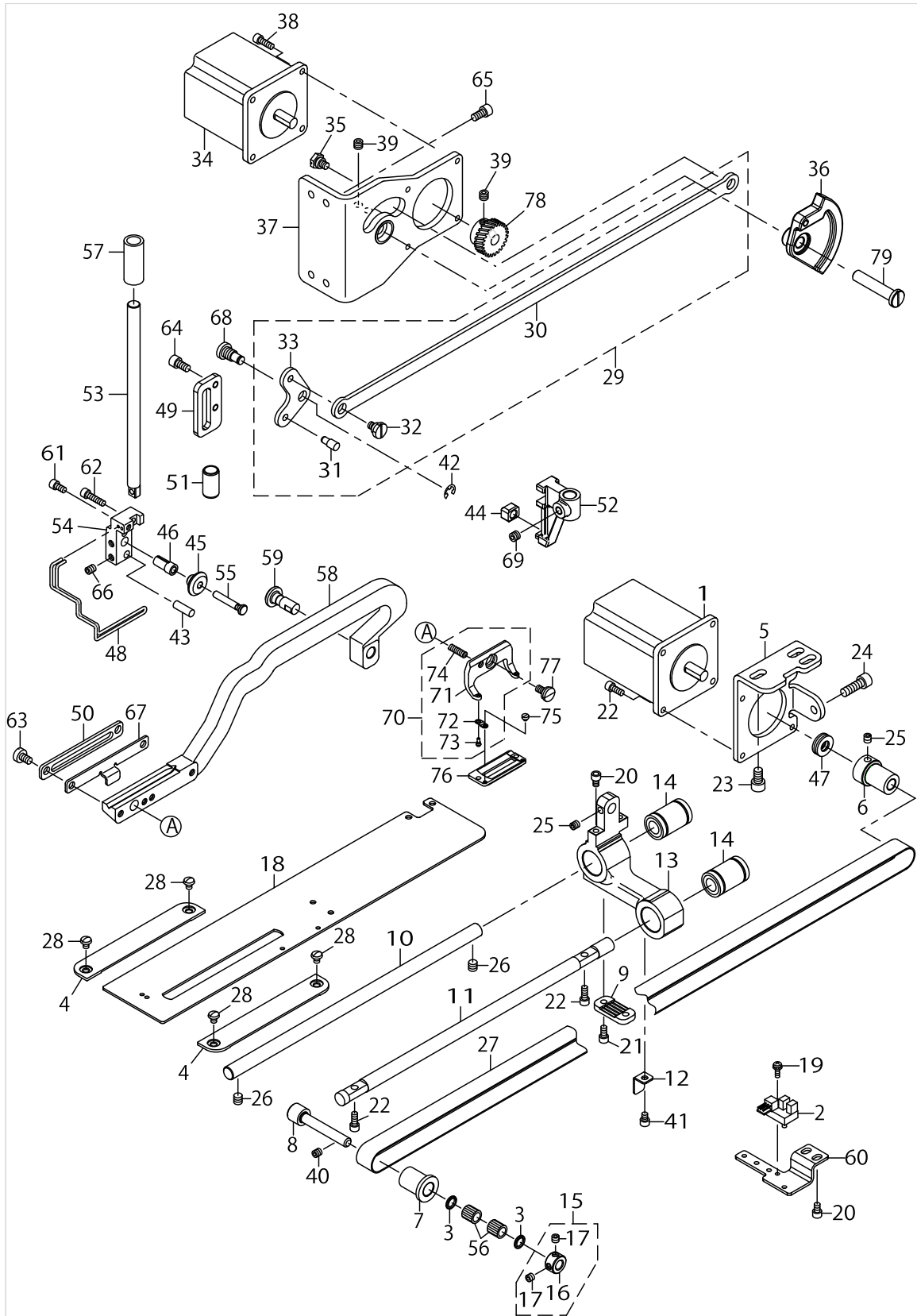
PRESSER & FEED COMPONENTS



PRESSER & FEED COMPONENTS

No.	Parts No.	Parts name	Remarks	Level	Cons	Qty
1	40139181	FEED MOTOR ASSY				1
2	HD00057000A	PHOTO SENSOR				1
3	22891204	BEARING SUPPORT				2
4	40203133	THROAT PLATE BASE COVER				2
5	40004194	MOTOR_BRACKET				1
6	40203066	PULLEY_B				1
7	40203151	PULLEY_C				1
8	40004198	SUPPORT_SHAFT				1
9	40004200	TIMING_BELT HOLDER				1
10	40004201	FEED_SHAFT				1
11	40022121	FEED_GUIDE_SHAFT				1
12	40141744	SENSOR_SLIT_PLATE				1
13	40141741	FEED_BASE				1
14	SB710000600	BEARING				2
15	40010434	THRUST_COLLAR_ASM.				1
16	40010435	THRUST_COLLAR		*		1
17	SM8050412TP	SCREW M5 L=4		*		2
18	40004205	WORK_CLAMP_CARRIER				1
19	SL4031091SC	SCREW M3 L=10				1
20	SM6040602TP	SCREW M4 L=6				4
21	SM6040802TP	SCREW M4X0.7 L=8				2
22	SM6041002TP	SCREW M4 L=10				6
23	SM6061002TP	SCREW M6 L=10				3
24	SM6061802TP	SCREW M6 L=18				1
25	SM8050502TP	SCREW M5 L=5				3
26	SM80606A2TP	SCREW M6 L=6				2
27	40141742	TIMING_BELT				1
28	SM5040550TP	SCREW M4 L=5				4
29	40142161	LIFTING_LINK_ASSY				1
30	40141788	LINK_ROD_S		*		1
31	40141801	LIFTING_LINK_PIN		*		1
32	SD0800326TP	SHOULDER SCREW		*		1
33	40142755	LIFTING_LINK		*		1
34	40139182	CLAMP MOTOR ASSY				1
35	SD0800326TP	SHOULDER SCREW				1
36	40165700	PBL_GEAR_L				1
37	40004267	ASSY_PBL_MOTOR_BASE				1
38	SM6041202TP	SCREW M4X0.7 L=12				4
39	SM8060552TP	SCREW M6 L=5				5
40	SM8050502TP	SCREW M5 L=5				1
41	SM6040502TP	SCREW M4X0.7 L=5				1
42	RE0500000K0	E-RING				1
43	13127402	PIN (SHORT) C				1
44	40141757	SQUARE_BLOCK				1
45	40141755	SLIDE_ROLLER				1
46	40141754	COLLAR				1
47	SB408000100	BEARING				1

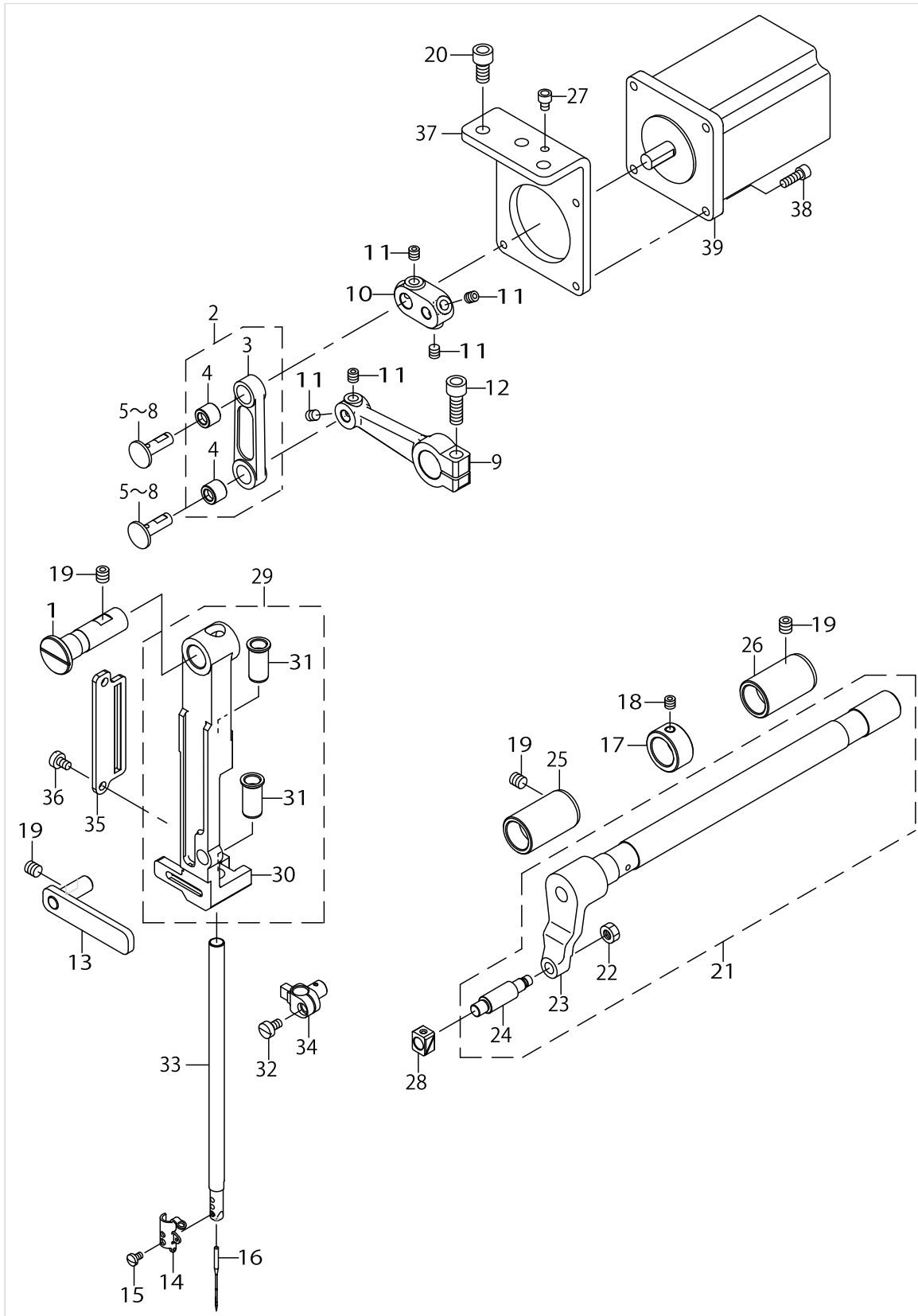
PRESSER & FEED COMPONENTS



PRESSER & FEED COMPONENTS

No.	Parts No.	Parts name	Remarks	Level	Cons	Qty
48	40004285	PBL_FINGER_GUARD			☆	1
49	40141794	PBL_GUIDE				1
50	40004280	PBL_LIFTING_PLATE				1
51	40004279	PBL_METAL				1
52	40141747	POSITION_BRACKET				1
53	40141745	PRESSER_BAR				1
54	40141753	PBL_ROLLER_BASE				1
55	40141756	PBL_ROLLER_SHAFT				1
56	SB307000200	BEARING				2
57	40141746	METAL_U				1
58	40004287	PBL_WORK_CLAMP_ARM				1
59	40004288	PBL_WORK_CLAMP_ARM_SHAFT				1
60	40141743	SENSOR_PLATE				1
61	SM6040802TP	SCREW M4X0.7 L=8				1
62	SM6041602TP	SCREW M4X0.7 L=16				1
63	SM6050800SP	SCREW M5 L=8				2
64	SM6051002TP	SCREW M5X0.8 L=10				4
65	SM6051002TP	SCREW M5X0.8 L=10				4
66	SM8050602TP	SCREW M5 L=6				2
67	40020310	UTT_CLOSE_CAM_B				1
68	40141748	LIFTING_LINK_SHAFT				1
69	SM8060612TP	SCREW M6 L=6				1
70	D1511771KA0A	WORK_CLAMP_CHECK HOLDER ASM.				1
71	B1511771000B	PRESSER FOOT		*		1
72	B1509761000	WORK_CLAMP_CHECK SPRING		*		2
73	B151077100B	WORKCLAMPCHECKSPRINGSETPIN(B)		*		2
74	B1512761000	WORK_CLAMP_CHECK HOLDER SPRING		*		1
75	SS6060210SP	SCREW 3/32-56 L=1.9				2
76	B1552781000A	PRESSER			☆	1
77	SD0790203SP	HINGE SCREW D=7.94 H=2				1
78	40004291	PBL_GEAR S				1
79	40004275	PBL_GEAR_SHAFT				1

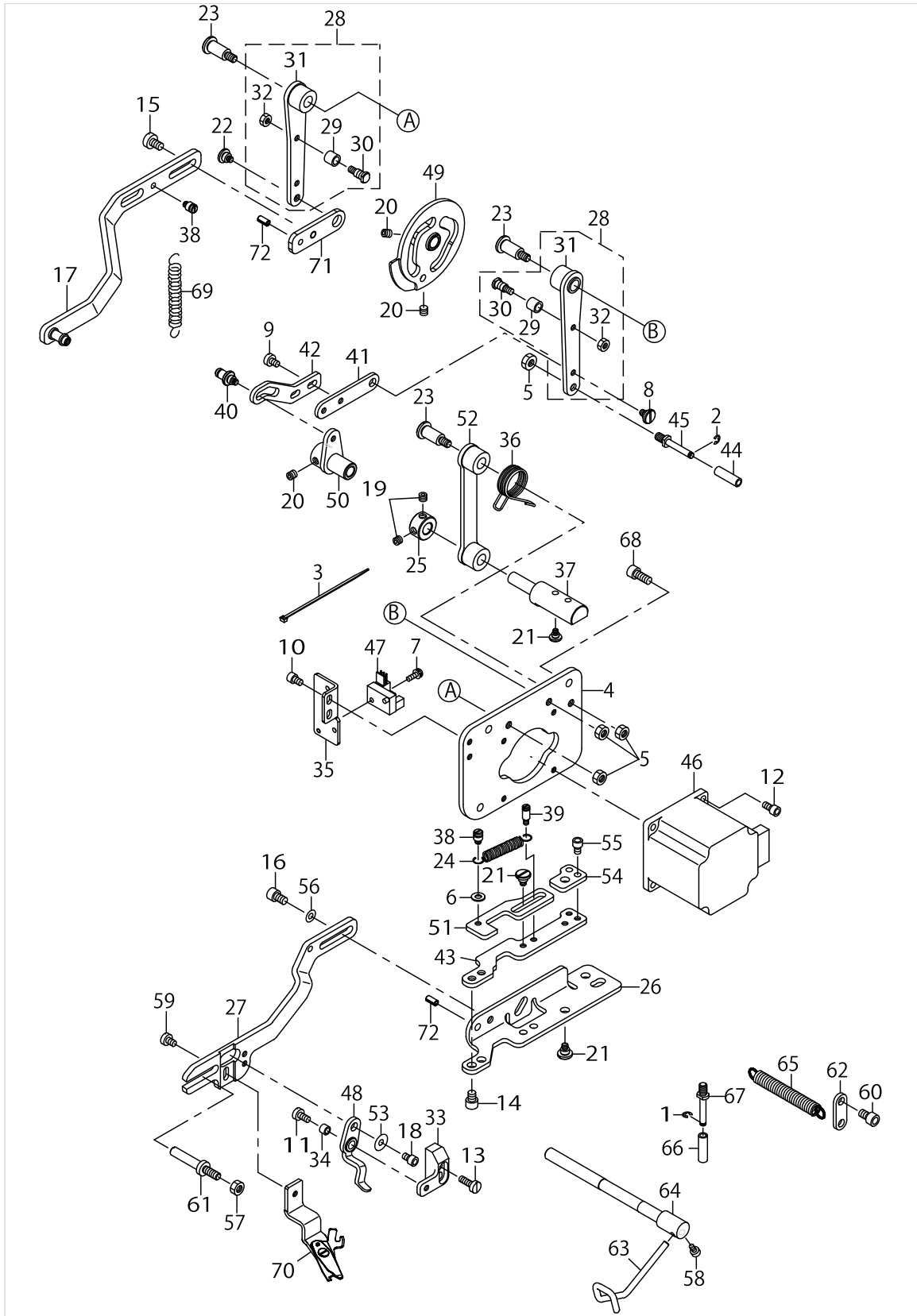
NEEDLE BAR ROCKING COMPONENTS



NEEDLE BAR ROCKING COMPONENTS

No.	Parts No.	Parts name	Remarks	Level	Cons	Qty
1	40088990	SUPPORT_SHAFT				1
2	40004378	ZIGZAG ROD ASM.				1
3	40004379	ZIGZAG ROD		*		1
4	23530405	SHAFT HOLDER LINK BUSH		*		2
5	40010286	JUNCTION SHAFT A	SELECTIVE PARTS			2
6	40010287	JUNCTION SHAFT B	SELECTIVE PARTS			2
7	40010288	JUNCTION SHAFT C	SELECTIVE PARTS			2
8	40010289	JUNCTION SHAFT D	SELECTIVE PARTS			2
9	40141760	ZIGZAG_LEVER_REAR				1
10	40141759	MOTOR_LEVER				1
11	SM8050502TP	SCREW M5 L=5				6
12	SM6061802TP	SCREW M6 L=18				1
13	40004218	FRAME SUPPORT PLATE ASM.				1
14	13706403	NEEDLE BAR THREAD GUIDE			☆	1
15	SM7030550TP	SCREW M3 L=4.5			☆	1
16	MDP5J0B1100	NEEDLE DPX5 #11J			☆	1
17	40203078	THRUST COLLAR D=15 W=11				1
18	SM8050502TP	SCREW M5 L=5				1
19	SM80606A2TP	SCREW M6 L=6				4
20	SM6061202TP	SCREW M6 L=12				3
21	40004224	ZIGZAG LEVER SHAFT ASM.				1
22	NM6050001SP	NUT M5		*		1
23	40004373	ZIGZAG LEVER SHAFT		*		1
24	40004374	ZIGZAG_STUD		*		1
25	40004216	BUSHING				1
26	40004217	BUSHING REAR				1
27	SM6040502TP	SCREW M4X0.7 L=5				1
28	B141423200A	CRANK SLIDE BLOCK				1
29	40210182	NEEDLE BAR FRAME ASSY				1
30	40203128	NEEDLE_BAR_FRAME_ADD		*		1
31	40004213	NEEDLE BAR METAL		*		2
32	SM6040750TP	SCREW M4 L=7				1
33	40004215	NEEDLE BAR				1
34	40203136	NEEDLE_BAR_CONECTION				1
35	40203126	NEEDLE_BAR_GUIDE				1
36	SM6040610SC	SCREW M4X0.7 L=6				2
37	40141758	ZIGZAG_DRIVE_UNIT_BASE				1
38	SM6041202TP	SCREW M4X0.7 L=12				4
39	40139180	NEEDLE SWING MOTOR ASSY				1

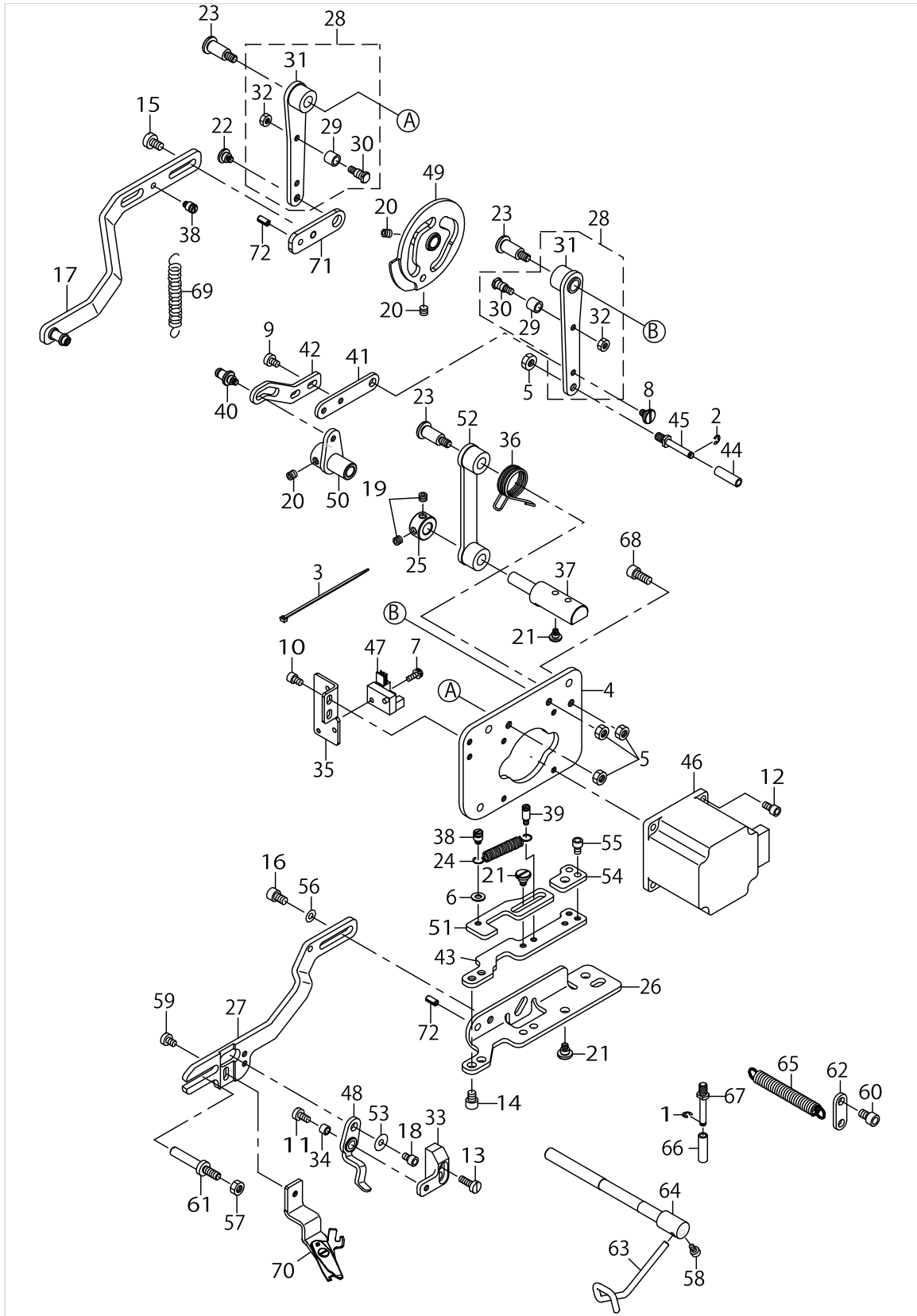
NEEDLE THREAD TRIMMER COMPONENTS



NEEDLE THREAD TRIMMER COMPONENTS

No.	Parts No.	Parts name	Remarks	Level	Cons	Qty
1	RE030000K0	E-RING 3				1
2	RE030000K0	E-RING 3				1
3	EA9500B0100	CABLE BAND				1
4	40004293	UTT BASE PLATE				1
5	NM6050001SP	NUT M5				4
6	WP0430801SC	WASHER 4.3X9X0.8				1
7	SL4031091SC	SCREW M3 L=10				1
8	SD0600266TP	SHOULDER SCREW D=6 H=2.6				1
9	SM6040600SP	SCREW M4 L=6				2
10	SM6040602TP	SCREW M4 L=6				2
11	SM6040860TP	SCREW M4 L=8				1
12	SM6040802TP	SCREW M4X0.7 L=8				4
13	SM6041200SP	SCREW M4 L=12				2
14	SM6050652TP	HEXAGON SOCKET HEAD SCREW M5X6				2
15	SM6050800SP	SCREW M5 L=8				1
16	SM6050802TP	SCREW M5X0.8 L=8				1
17	40004400	ASSY UTT RELEASE ARM B				1
18	SM6040602TP	SCREW M4 L=6				1
19	SM8050412TP	SCREW M5 L=4				2
20	SM8050502TP	SCREW M5 L=5				4
21	SD0600326TP	SHOULDER SCREW D=6 H=3.2				4
22	SD0800406TP	SHOULDER SCREW D=8 H=4				1
23	SD0801506TP	SHOULDER SCREW D=8 H=15				3
24	11272507	SPRING				1
25	CS0800881TP	THRUST COLLAR				1
26	40203044	UTT ARM A				1
27	40004238	UTT_ARM_B				1
28	40101641	ASSY_UTT_CAM_ARM				2
29	40004254	UTT CAM ROLLER		*		1
30	40101638	UTT_CAM_ROLLER_SHAFT		*		1
31	40101642	UTT_CAM_ARM		*		1
32	NM6040000SN	NUT M4		*		1
33	40004264	UTT RELEASE LEVER BASE				1
34	40004265	UTT RELEASE LEVER SHAFT				1
35	40141774	SENSOR_PLATE_UTT				1
36	40004296	UTT_SUPPORT_ARM_SPRING				1
37	40004234	UTT SUPPORT SHAFT				1
38	40004248	UTT SUSPENSION SCREW 4				2
39	40004252	UTT SUSPENSION SCREW 9				1
40	40004247	UTT SUSPENSION SHOULDER SCREW				1
41	40004244	UTT THREAD PULLING LINK A				1
42	40004245	UTT THREAD PULLING LINK B				1
43	40004236	UTT X-CAM				1
44	40004297	UTT Y-DRIVE ROLLER				1
45	40004298	UTT Y-DRIVE SHAFT				1
46	40140040	UTT TRIM MOTOR ASSY				1
47	HD00057000A	PHOTO SENSOR				1

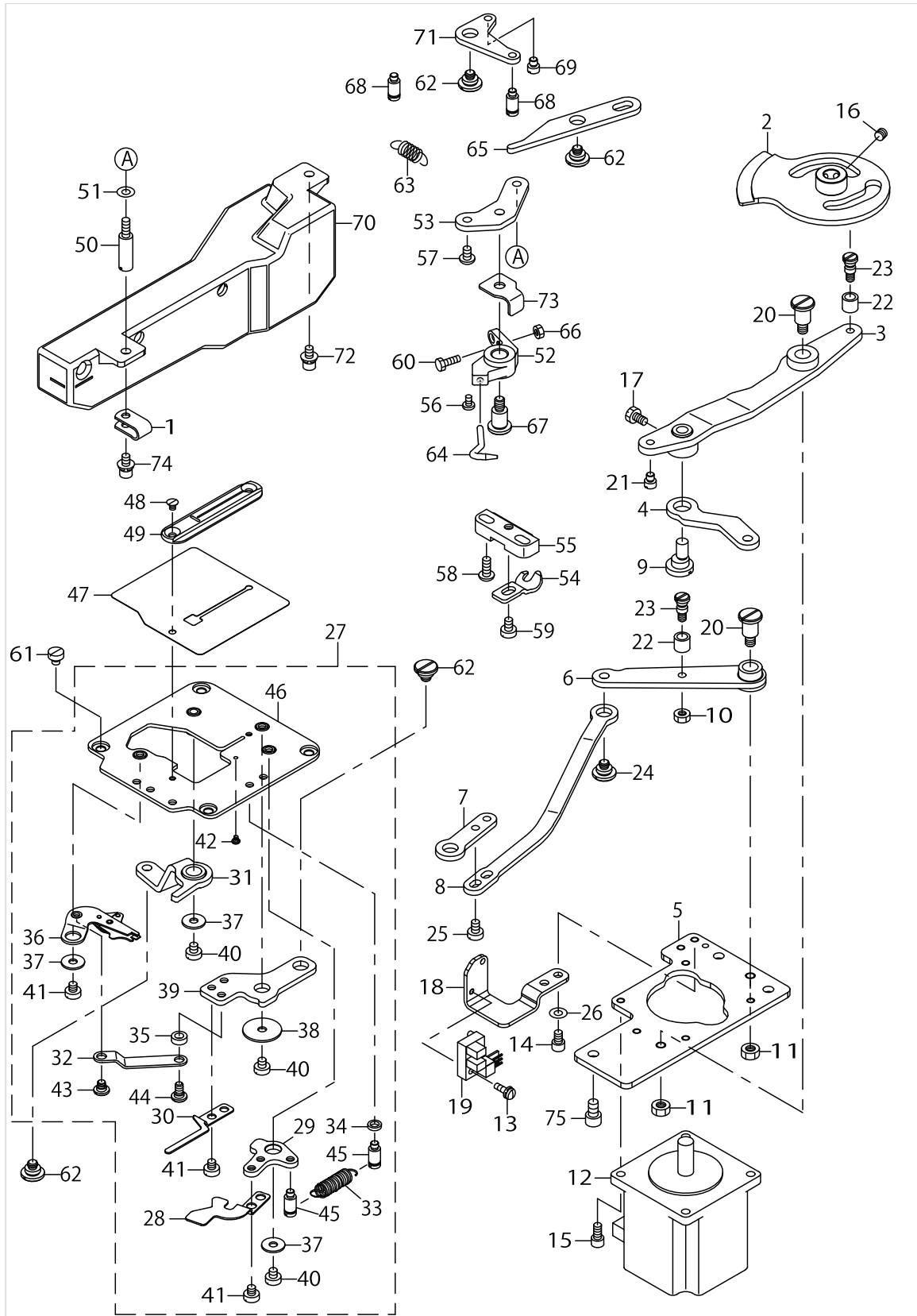
NEEDLE THREAD TRIMMER COMPONENTS



NEEDLE THREAD TRIMMER COMPONENTS

No.	Parts No.	Parts name	Remarks	Level	Cons	Qty
48	40028634	ASSY_UTT_RELEASE_LEVER_B				1
49	40142166	ASSY_UTT_DRIVE_CAM				1
50	40004240	ASSY_UTT_THREAD_PULLING_ARM				1
51	40015702	UTT_RATCH_PLATE_B				1
52	40004232	ASSY_UTT_SUPPORT_ARM				1
53	WP0431005SP	PLAIN WASHER 4.3X12X1				1
54	40015674	UTT_RATCH_STOPPER				1
55	SM6040602TP	SCREW M4 L=6				2
56	WP0550800SP	WASHER 5.5X10X0.8				2
57	NM6050001SP	NUT M5				1
58	SM6040602TP	SCREW M4 L=6				1
59	SM6040600SP	SCREW M4 L=6				1
60	SM6050802TP	SCREW M5X0.8 L=8				1
61	40028636	UTT_GUIDE_SHAFT_B				1
62	40004249	UTT_SUSPENSION_PLATE				1
63	40004243	UTT_THREAD_PULLING_LEVER				1
64	40004246	UTT_THREAD_PULLING_SHAFT				1
65	40004250	UTT_TRIMMER_CLOSE_SPRING				1
66	40004297	UTT_Y-DRIVE_ROLLER				1
67	40004298	UTT_Y-DRIVE_SHAFT				1
68	SM6051202TP	SCREW M5X0.8 L=12				3
69	MAZ16013000	BUTTON_SUPPORT_LEVER_SPRING				1
70	40004255	ASSY_UTT_TRIMMER			☆	1
71	40203093	UTT_RELEASE_ARM_A				1
72	PS0400082KP	SPRING_PIN				2

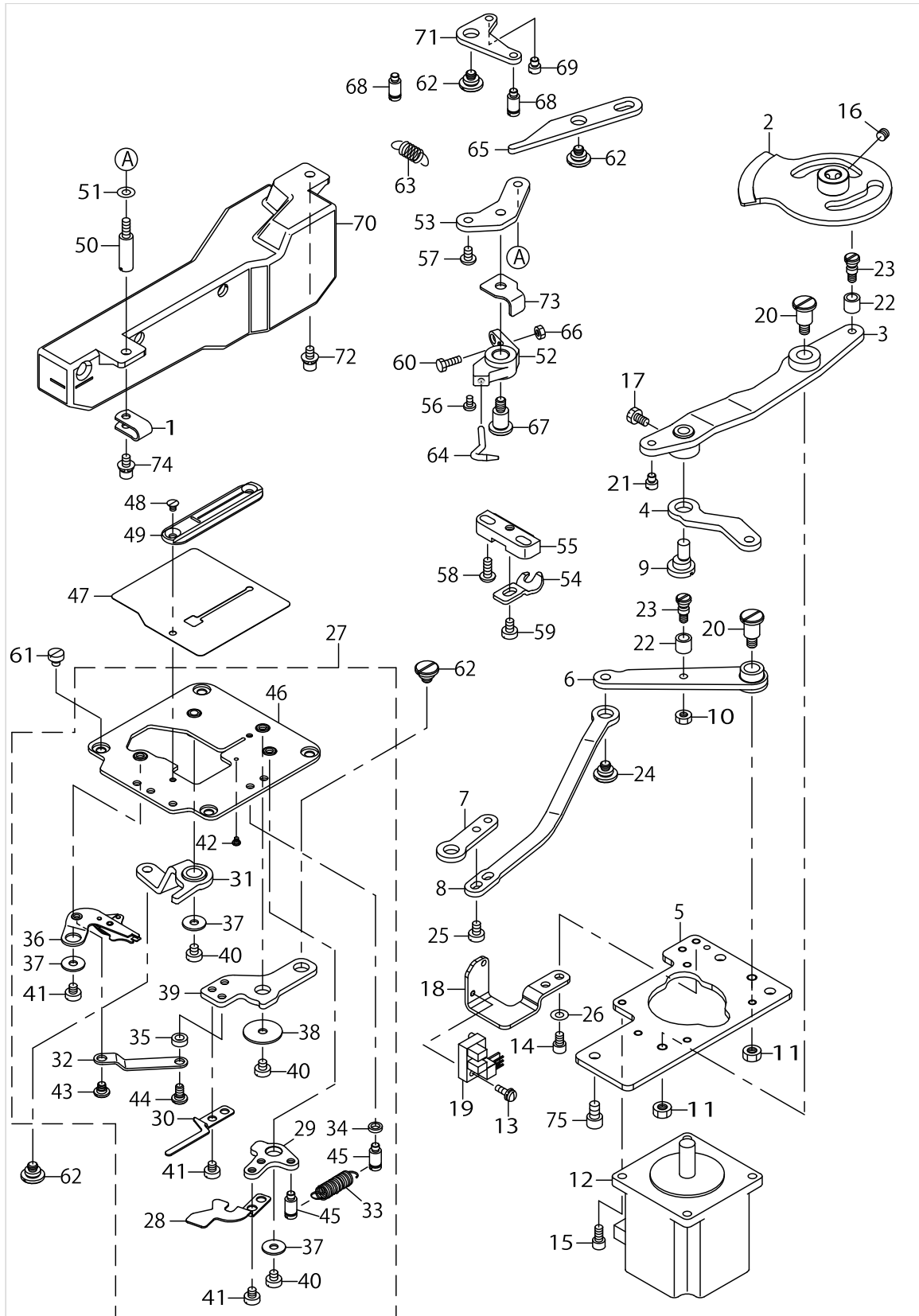
BOBBIN THREAD TRIMMER COMPONENTS



BOBBIN THREAD TRIMMER COMPONENTS

No.	Parts No.	Parts name	Remarks	Level	Cons	Qty
1	HX00150000A	CABLE CLAMP				1
2	40142170	ASSY_BTT_DRIVE_CAM				1
3	40004336	ASSY_BTT_DRIVE_LEVER				1
4	40004329	BTT_DRIVE_LINK				1
5	40141778	BTT_DRIVE_UNIT_BASE				1
6	40101649	BTT_RELEASE_LEVER				1
7	40004343	BTT_RELEASE_LINK_F				1
8	40004344	BTT_RELEASE_LINK_R				1
9	13737408	LINK ROD				1
10	NM6040001SD	NUT M4				1
11	NM6050001SP	NUT M5				2
12	40140041	DT TRIM MOTOR ASSY				1
13	SL4031091SC	SCREW M3 L=10				1
14	SM6040602TP	SCREW M4 L=6				2
15	SM6040802TP	SCREW M4X0.7 L=8				4
16	SM8050412TP	SCREW M5 L=4				2
17	SM9040700SP	HEXAGONAL BOLT				1
18	40141779	SENSOR_PLATE_BTT				1
19	HD00057000A	PHOTO SENSOR				1
20	SD0801006TP	SHOULDER SCREW D=8 H=10				2
21	40004299	STOPPER_PIN				1
22	40004254	UTT_CAM_ROLLER				2
23	40101638	UTT_CAM_ROLLER_SHAFT				2
24	SD0800296TP	SHOULDER SCREW D=8 H=2.9				1
25	SM6040600SP	SCREW M4 L=6				2
26	WP0430801SC	WASHER 4.3X9X0.8				2
27	40021998	THROAT_PLATE_BASE_UNIT				1
28	40022323	BT_CLAMP_B		*	☆	1
29	40004309	BT_CLAMP_LEVER		*		1
30	40022322	BT_PULLER_B		*	☆	1
31	40004321	ASSY_BT_RELEASE_ARM		*		1
32	40004308	BT_TRIMMER_LINK		*		1
33	40029613	CLAMP_SPRING		*		1
34	B1623180000	WASHER		*		1
35	B3013141H0A	WASHER		*		1
36	40004311	BT_TRIMMER		*	☆	1
37	WP0431005SP	PLAIN WASHER 4.3X12X1		*		3
38	WP0451016SP	WASHER 4.5X20X1		*		1
39	40004306	BTT_LEVER		*		1
40	SM6040450TP	SCREW M4 L=4		*		3
41	SM6040450TP	SCREW M4 L=4		*		5
42	SD0250101SP	HINGE SCREW		*		1
43	SD0500166TP	SHOULDER SCREW D=5 H=1.6		*		1
44	SD0500167TP	SHOULDER SCREW D=5 H=1.6		*		1
45	40004327	SUSPENSION_SCREW		*		2
46	40004301	ASSY_THROAT_PLATE_BASE		*		1
47	40004324	OIL_SHIELD				1

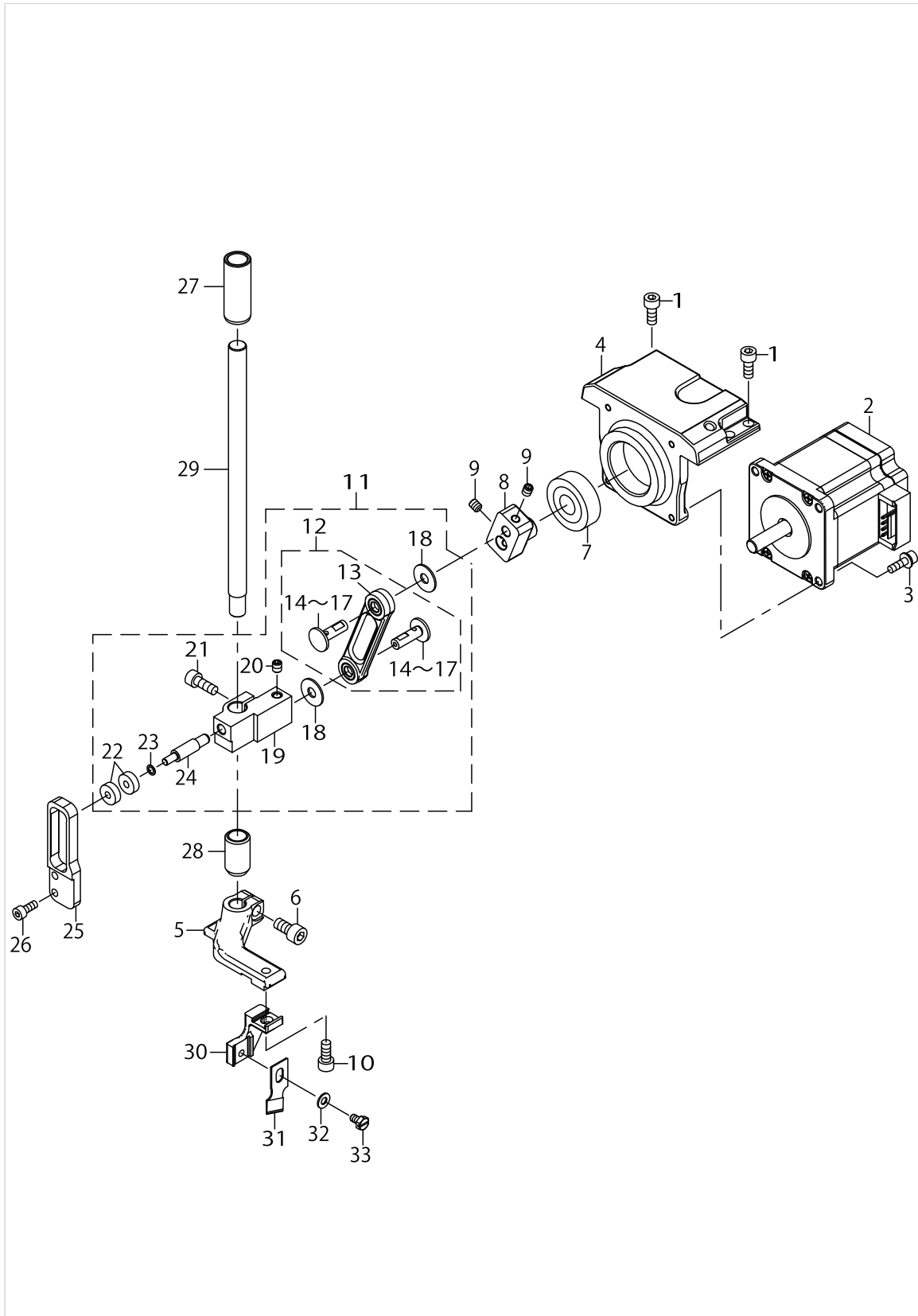
BOBBIN THREAD TRIMMER COMPONENTS



BOBBIN THREAD TRIMMER COMPONENTS

No.	Parts No.	Parts name	Remarks	Level	Cons	Qty
48	SM1030400SP	SCREW M3 L=4				2
49	40027553	THROAT_PLATE			☆	1
50	40011205	STUD				1
51	WP0430800SC	WASHER M4				1
52	40004345	PICKER_BASE				1
53	40004347	PICKER_BASE_FITTING_PLATE				1
54	13727102	STOPPER A			☆	1
55	13729306	BOBBIN CASE POSITIONING PLATE				1
56	SM7030550TP	SCREW M3 L=4.5				1
57	SM6040602TP	SCREW M4 L=6				1
58	SM4041050TP	SCREW M4 L=10				2
59	SM6040600SP	SCREW M4 L=6				1
60	SM6041200SP	SCREW M4 L=12				1
61	SM6040450TP	SCREW M4 L=4				4
62	SD0800296TP	SHOULDER SCREW D=8 H=2.9				4
63	40011327	PICKER_SPRING				1
64	40004346	PICKER			☆	1
65	40004348	PICKER_ACTUATING_LEVER				1
66	NM6040001SD	NUT M4				1
67	SD0801006TP	SHOULDER SCREW D=8 H=10				1
68	40004327	SUSPENSION_SCREW				2
69	40004299	STOPPER_PIN				1
70	40141802	OIL_TANK				1
71	40004349	PICKER_ACTUATING_L_LINK				1
72	SL6040892TN	SCREW				4
73	40004328	PICKER_BASE_STOPPER				1
74	SL6041292TN	SCREW				1
75	SM6050802TP	SCREW M5X0.8 L=8				3

CLOTH CUTTING KNIFE COMPONENTS



CLOTH CUTTING KNIFE COMPONENTS

No.	Parts No.	Parts name	Remarks	Level	Cons	Qty
1	SM6051202TP	SCREW M5X0.8 L=12				4
2	40139183	CLOTH CUT MOTOR ASSY				1
3	SL6041492TN	SCREW				4
4	40203098	MOTOR_BASE				1
5	40004396	KNIFE BAR BASE				1
6	SM6061202TP	SCREW M6 L=12				1
7	SB1120003C0	BEARING				1
8	40141782	KNIFE_DRIVING_BLOCK				1
9	SM8050612TP	SCREW M5X6				3
10	SM6051202TP	SCREW M5X0.8 L=12				1
11	40142163	KNIFE_DRIVING_ASSY				1
12	40142164	KNIFE_DRIVING_LINK_ASSY		*		1
13	40141783	KNIFE_DRIVING_LINK_COMBINATION		*		1
14	40010286	JUNCTION SHAFT A	SELECTIVE PARTS	*		2
15	40010287	JUNCTION SHAFT B	SELECTIVE PARTS	*		2
16	40010288	JUNCTION SHAFT C	SELECTIVE PARTS	*		2
17	40010289	JUNCTION SHAFT D	SELECTIVE PARTS	*		2
18	40042089	THRUST WASHER		*		2
19	40141785	KNIFE_BAR_BRACKET		*		1
20	SM8050612TP	SCREW M5X6		*		1
21	SM6051402TP	SCREW M5X0.8 L=14		*		1
22	SB1040008C0	BEARING		*		2
23	40010489	AT_PIVOT_SCREW_WASHER		*		1
24	40141786	SUPPORT_SHAFT		*		1
25	40141787	SUPPORT_GUIDE				1
26	SM6041002TP	SCREW M4 L=10				2
27	40004398	KNIFE_BAR_BUSH				1
28	40040276	KNIFE_BAR_LOWER_BUSHING				1
29	40004394	KNIFE BAR				1
30	40004393	KNIFE FITTING BASE				1
31	B2702047L00A	KNIFE 1/2			☆	1
32	WP0430801SC	WASHER M4				1
33	SM9040700SP	HEXAGONAL BOLT			☆	1

TABLE COMPONENTS

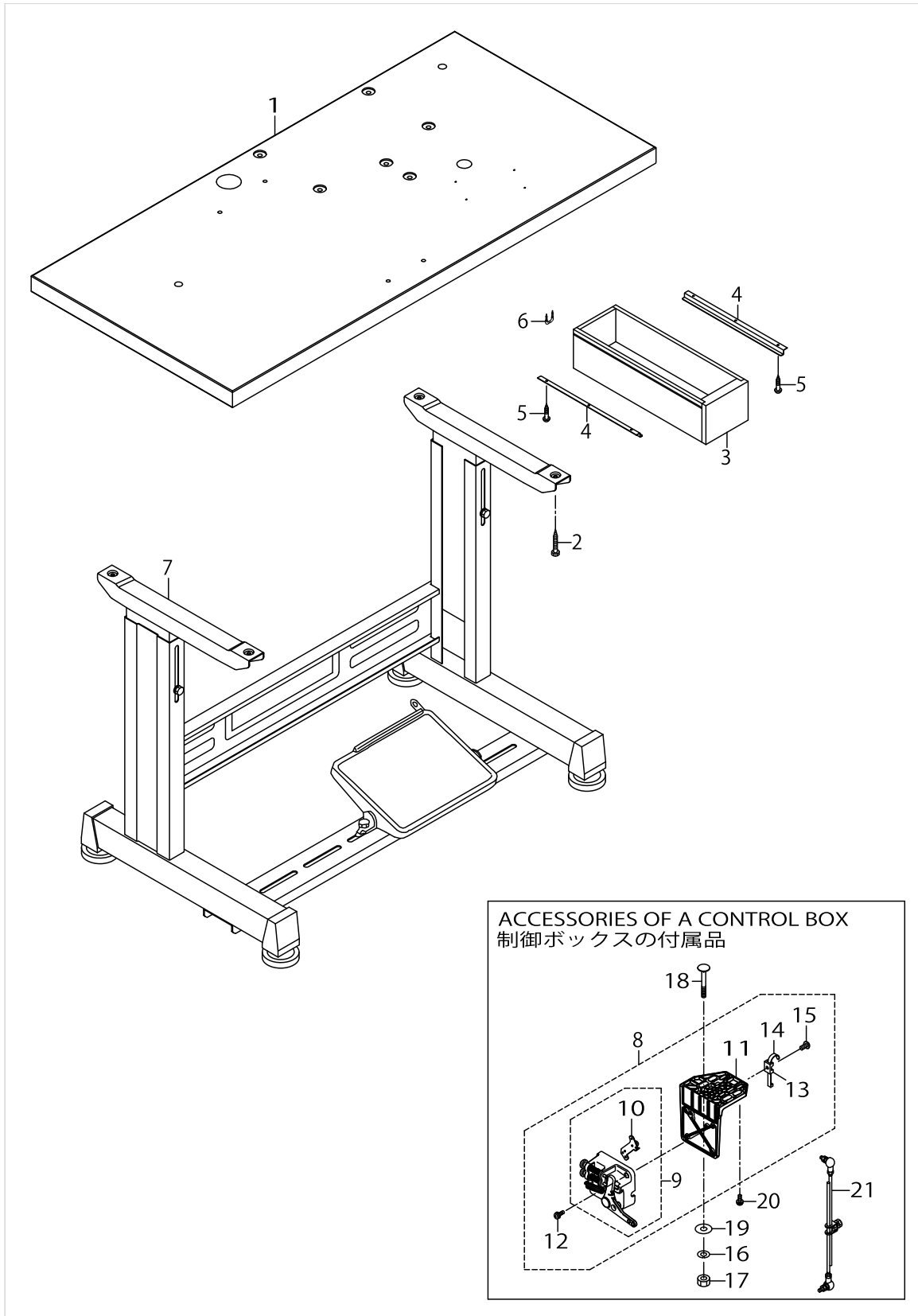
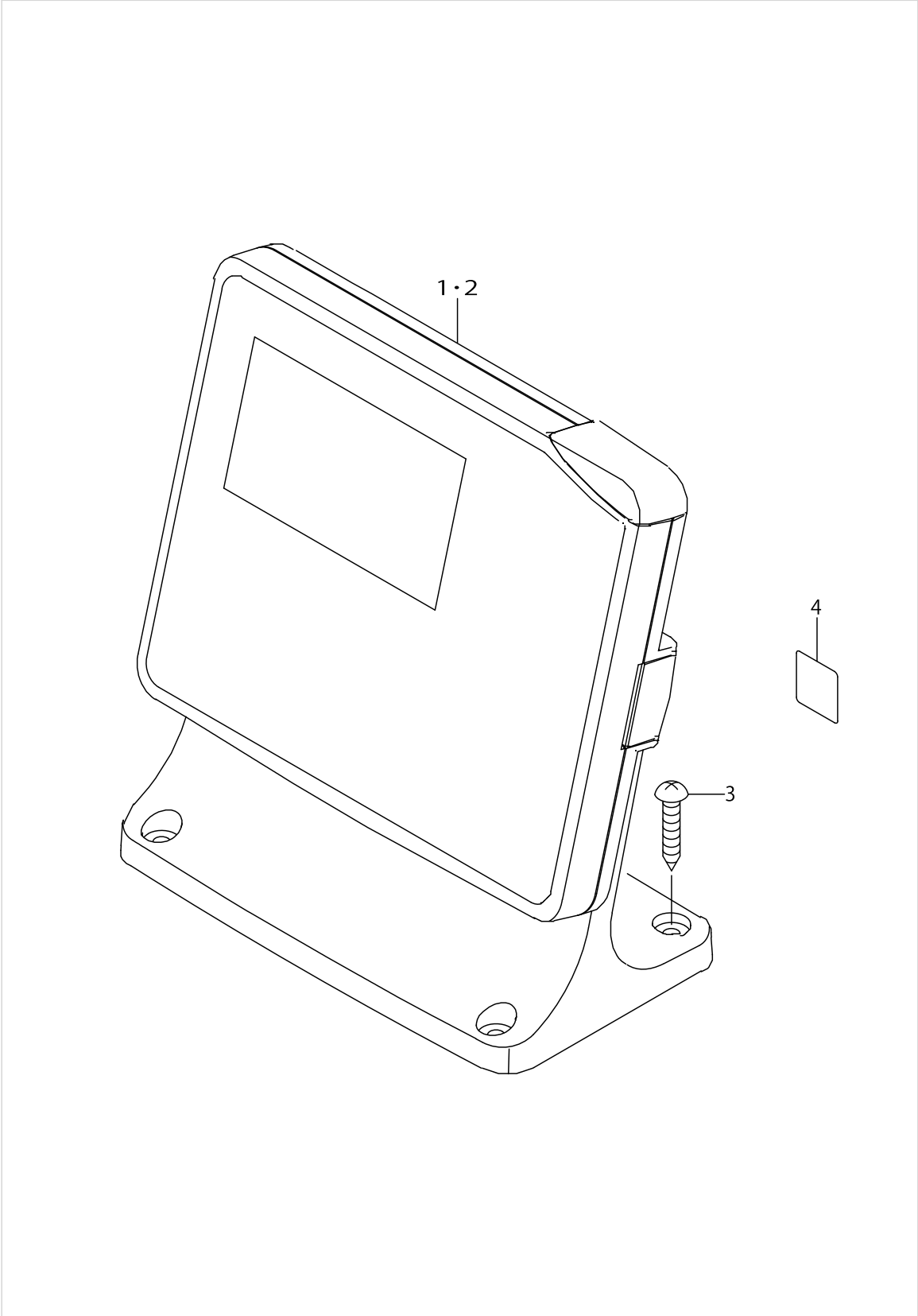


TABLE COMPONENTS

No.	Parts No.	Parts name	Remarks	Level	Cons	Qty
1	40142966	TABLE				1
2	ST9053511SR	TAPPING SCREW M5X35				4
3	11155108	DRAWER				1
4	11155207	DRAWER SUPPORT				2
5	SK3311600SC	WOOD SCREW D=3.1 L=16				6
6	D8204555D00	DRAWER STOPPER				1
7	11157567	T LEG JUNCTION				1
8	40094262	PEDAL SENSOR BASE ASSY				1
9	40094259	PEDAL SENSOR ASM.		*		1
10	40094260	SENSOR COIL HOLD ASSY		*		1
11	40099913	SENSOR_BRACKET		*		1
12	SL4041601SC	SCREW M4 L=16		*		3
13	KX000000210	SADDLE TYPE TIE MOUNT		*		1
14	KX000000230	RELEASIBLE CABLE TIE		*		1
15	SM4051001SC	SCREW M5 L=10		*		1
16	WS0820002KR	SPRING WASHER M8				2
17	NM6080002SC	NUT M8				2
18	MTSHJ100003	BOLT				2
19	WP0851846SC	WASHER 8.5X22.0X1.8				2
20	SL4051291SC	SCREW M5X0.8 L=12				2
21	40042134	CONNECING_ROD_ASSY				1

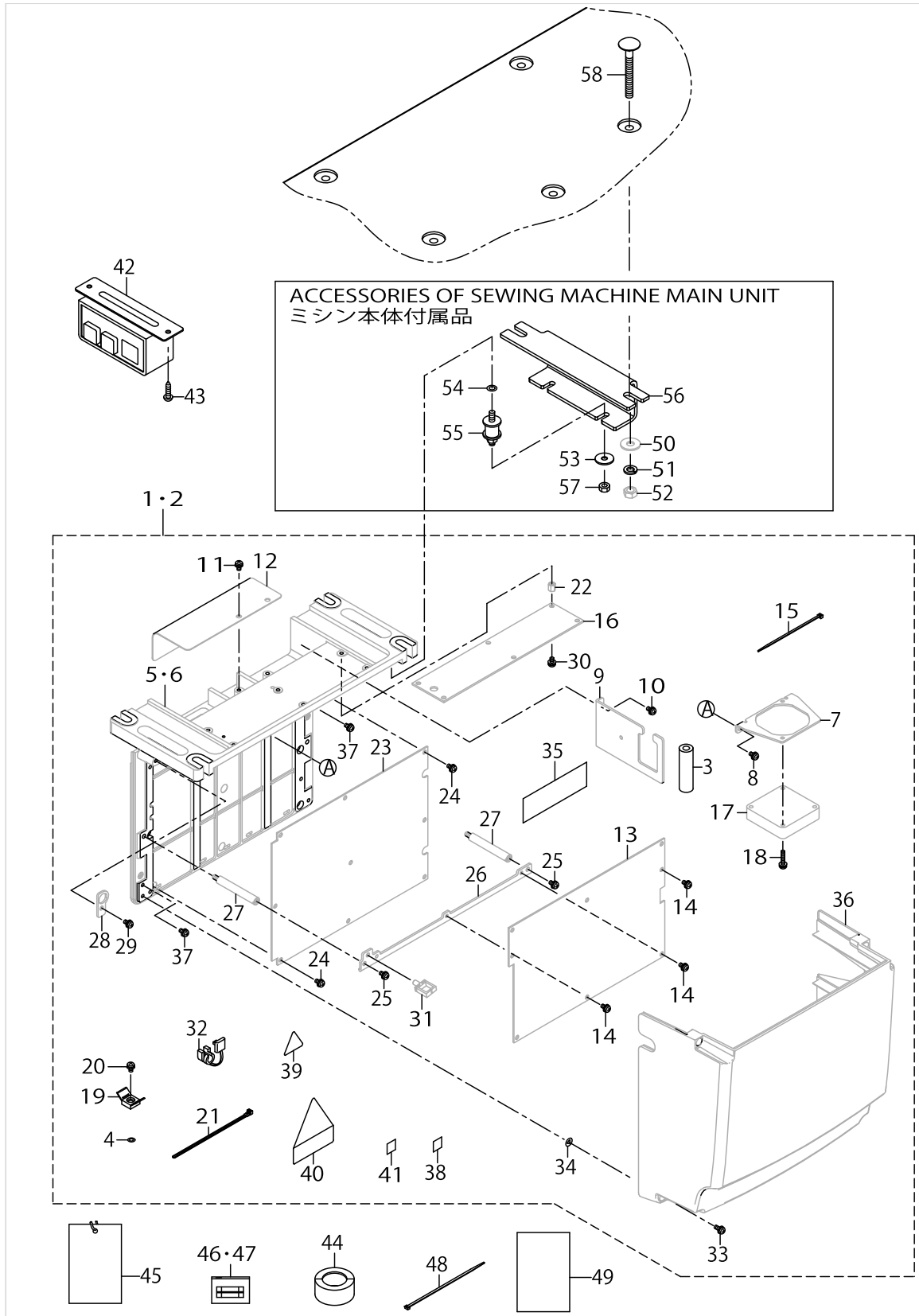
OPERATION BOX COMPONENTS (ACCESSORIES OF A CONTROL BOX)



OPERATION BOX COMPONENTS (ACCESSORIES OF A CONTROL BOX)

No.	Parts No.	Parts name	Remarks	Level	Cons	Qty
1	40211699	LBH PANEL ASSY	FOR 1-PHASE 220~240V, 1-PHASE 220~240V(FOR CHINA)			1
2	40211700	LBH PANEL ASSY CE	FOR 1-PHASE 220~240V			1
3	SK3382001SE	SCREW D=3.8 L=20				4
4	CM600100101	WEEE MARK LABEL S	FOR 1-PHASE 220~240V			1

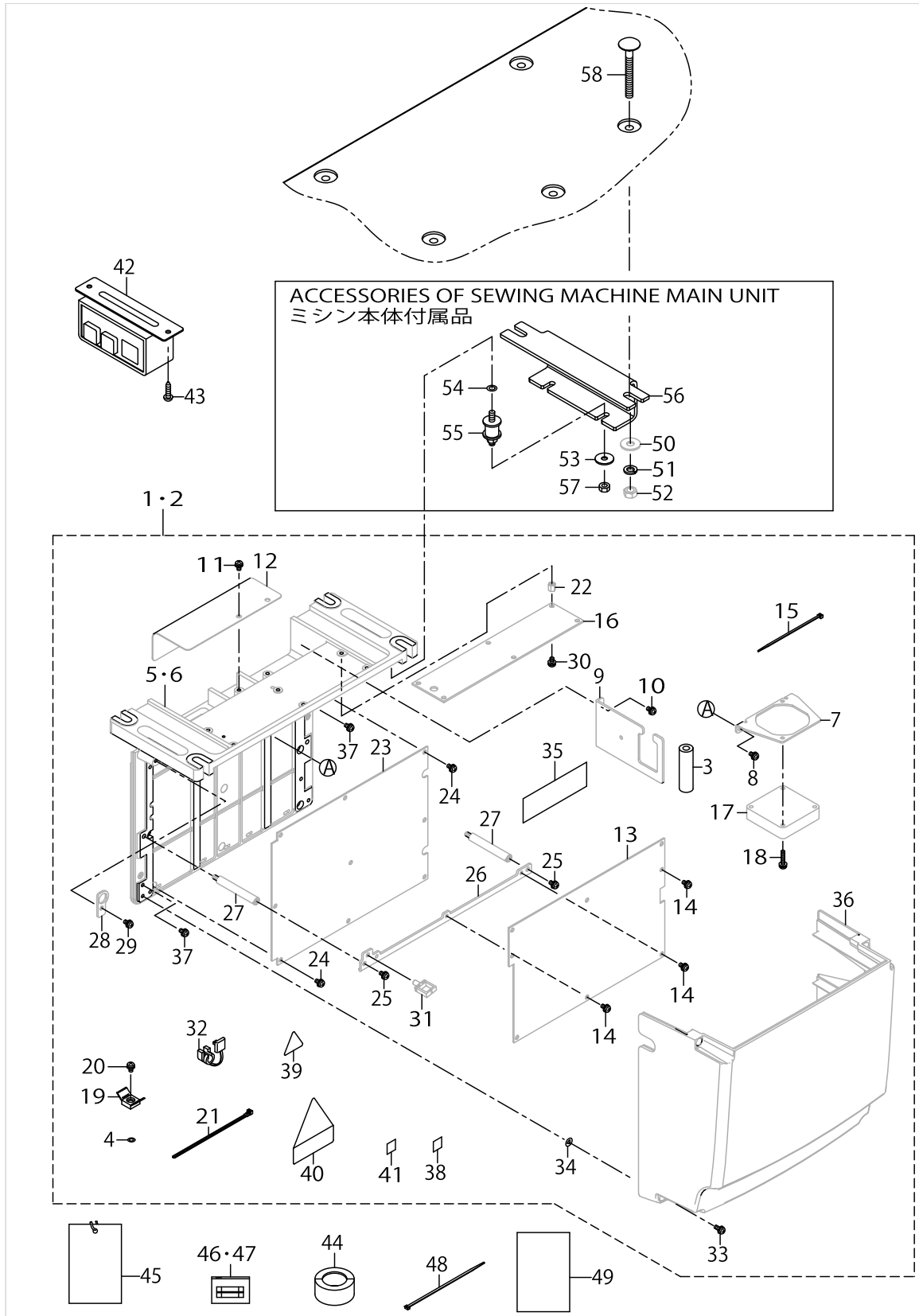
CONTROL BOX COMPONENTS



CONTROL BOX COMPONENTS

No.	Parts No.	Parts name	Remarks	Level	Cons	Qty
1	40211697	MC603 CTL BOX ASM.	FOR 1-PHASE 220~240V			1
2	40211698	MC603 CTL BOX CE ASM.	FOR 1-PHASE CE 220~240V			1
3	E8760452S00	TUBE	FOR 1-PHASE CE 220~240V	*		0.055
4	WP0430800SC	WASHER M4	FOR 1-PHASE CE 220~240V	*		1
5	40143989	FRAME_B	FOR 1-PHASE CE 220~240V	*		1
6	40143988	FRAME_A	FOR 1-PHASE 220~240V	*		1
7	40115874	FAN PLATE		*		1
8	SL4040881SC	SCREW M4 L=8		*		2
9	40115876	PLATE B		*		1
10	SL4040881SC	SCREW M4 L=8		*		2
11	SL4040881SC	SCREW M4 L=8		*		2
12	40115879	FAN COVER		*		1
13	40211693	MAIN PCB ASSY		*		1
14	SL4040881SC	SCREW M4 L=8		*		8
15	EA9500B0100	CABLE BAND		*		1
16	40105475	FLT-CE PCB ASSY	FOR 1-PHASE CE 220~240V	*		1
17	40111214	FAN MOTOR ASSY		*		1
18	SL4042091SC	SCREW M4X0.7 L=20		*		2
19	KX000000260	SADDLE TYPE TIE MOUNT		*		1
20	SL4040881SC	SCREW M4 L=8		*		1
21	HX00292000A	CONNECTING PARTS		*		1
22	HX00339000M	SPACER	FOR 1-PHASE CE 220~240V	*		6
23	40211133	SDC PCB ASSY		*		1
24	SL4041081SC	SCREW M4 L=10		*		4
25	SL4040881SC	SCREW M4 L=8		*		2
26	40115877	MAIN PLATE		*		1
27	40143990	STUD		*		2
28	40115878	PLATE C		*		1
29	SL4040881SC	SCREW M4 L=8		*		1
30	SL4040881SC	SCREW M4 L=8	FOR 1-PHASE CE 220~240V	*		6
31	HX00222000D	WIRE SADDLE		*		1
32	KX000000320	BUSH		*		1
33	SL4041281SC	SCREW M4X0.7 L=12		*		4
34	M8002430000	STOPPER		*		4
35	40114398	MAIN COOL SHEET		*		2
36	40189853	COVER		*		1
37	SL4040881SC	SCREW M4 L=8		*		3
38	40150131	EAC_MARK_LABEL_S	FOR 1-PHASE CE 220~240V	*		1
39	CM300100001	LABEL	FOR 1-PHASE 220~240V, 1-PHASE CE 220~240V, 1-PHASE 220~240V (FOR CHINA)	*		1
40	CM300400602	VOLTAGE CAUTION LABEL L=25		*		1
41	CM600100101	WEEE MARK LABEL S	FOR 1-PHASE CE 220~240V	*		1
42	40113427	POWER SWITCH	FOR 1-PHASE 220~240V			1
43	SK3512001SE	WOOD SCREW D=5.1 L=20	EXCEPT CE			2
44	HN002460000	CORES	FOR 1-PHASE CE 220~240V			6
45	M300451100A	VOLTAGE INDICATION CARD A				1
46	HF0013050P0	FUSE 5A			☆	1

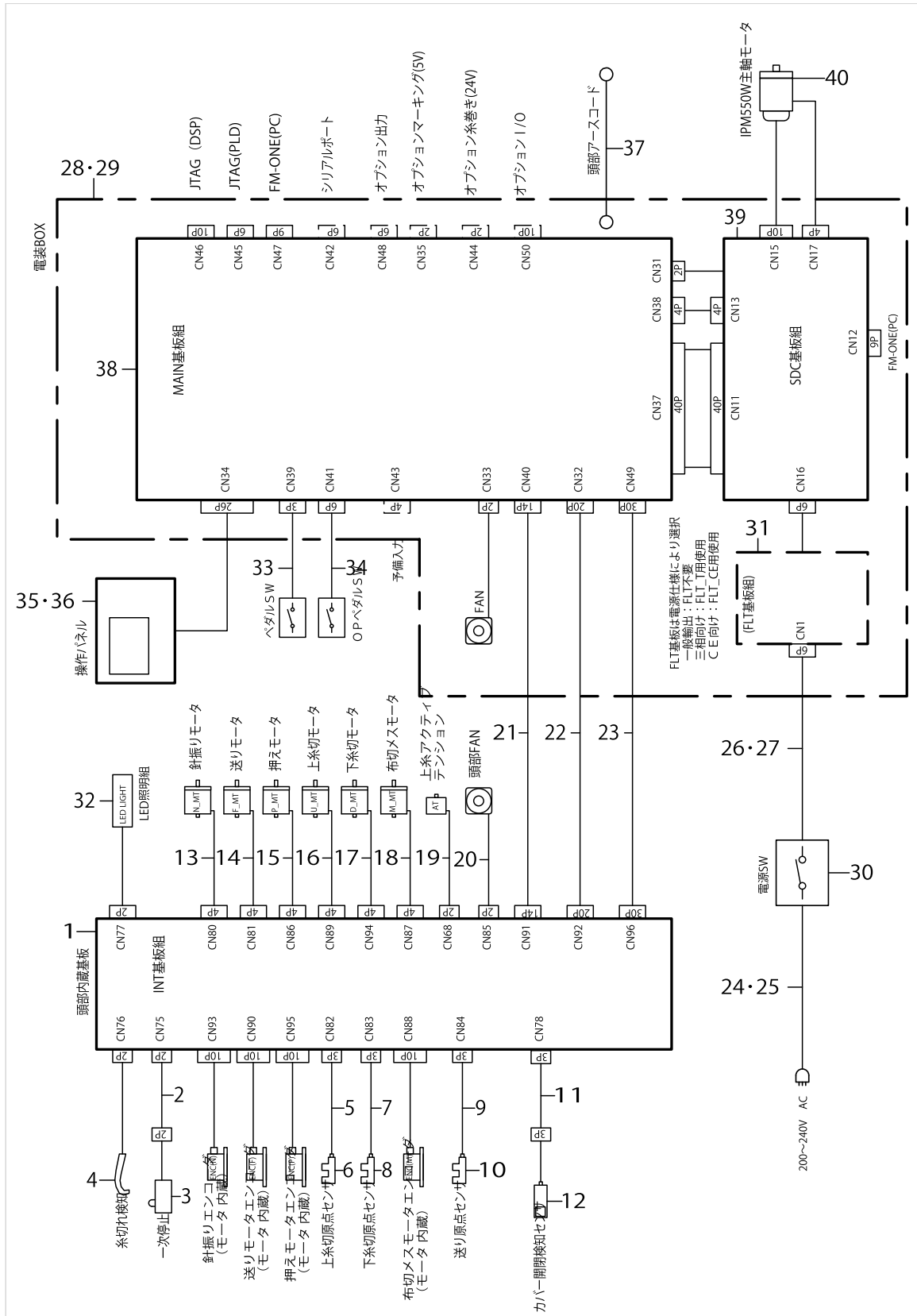
CONTROL BOX COMPONENTS



CONTROL BOX COMPONENTS

No.	Parts No.	Parts name	Remarks	Level	Cons	Qty
47	HF003000200	FUSE 2A (220/240V)			☆	1
48	EA9500B0200	CABLE BAND 150				2
49	40144294	CORE SET UP MANUAL	FOR 1-PHASE CE 220~240V			1
50	WP0852086SC	WASHER M8				6
51	WS0820002KR	SPRING WASHER M8				6
52	NM6080002SC	NUT M8				6
53	WP0651646SC	WASHER				8
54	WT0640001KN	TOOTH WASHER				1
55	40165702	RUBBER_CUSHION				4
56	40142969	RUBBER CUSHION BRKT				2
57	NM6060001SC	NUT M6X1 TYPE1				4
58	MTSHJ100003	BOLT				6

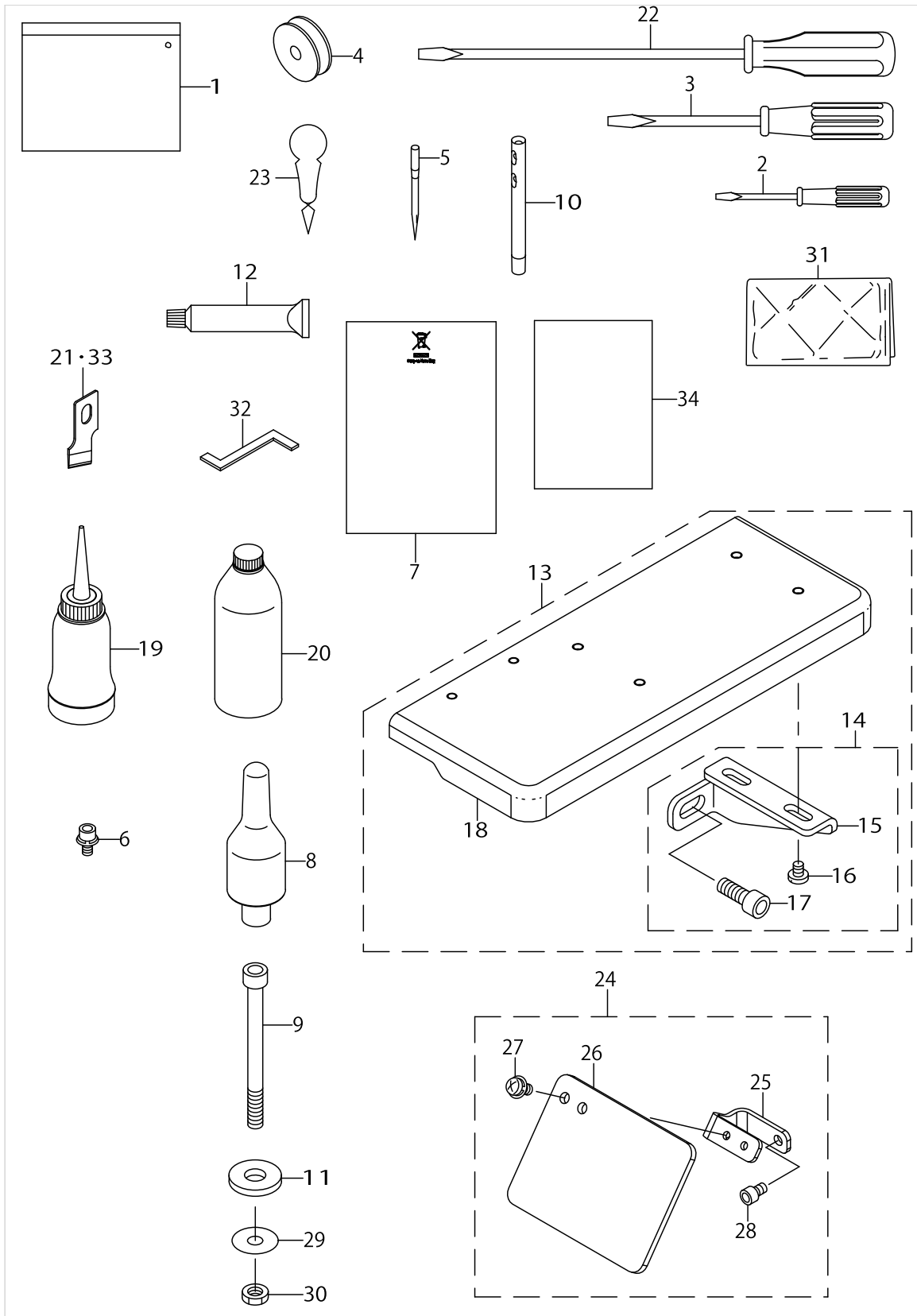
WIRING DIAGRAM



WIRING DIAGRAM

No.	Parts No.	Parts name	Remarks	Level	Cons	Qty
1	40138611	INT PCB ASSY				1
2	40005400	PAUSE SWITCH JOINT CORD				1
3	32002354	SWITCH ASM.				1
4	40003499	THREAD BREAK DETECTOR A				1
5	40141480	UT TRIM SENSOR CORD ASSY				1
6	HD00057000A	PHOTO SENSOR				1
7	40141481	DT TRIM SENSOR CORD ASSY				1
8	HD00057000A	PHOTO SENSOR				1
9	40141482	FEED SENSOR CORD ASSY				1
10	HD00057000A	PHOTO SENSOR				1
11	40141484	COVER SENSOR RELAY CORD ASSY				1
12	40141483	COVER SENSOR ASSY				1
13	40139180	NEEDLE SWING MOTOR ASSY				1
14	40139181	FEED MOTOR ASSY				1
15	40139182	CLAMP MOTOR ASSY				1
16	40140040	UT TRIM MOTOR ASSY				1
17	40140041	DT TRIM MOTOR ASSY				1
18	40139183	CLOTH CUT MOTOR ASSY				1
19	40006261	ASSY_AT_SOLENOID				1
20	40111214	FAN MOTOR ASSY				1
21	40141479	INT CORD C ASSY				1
22	40141478	INT CORE B ASSY				1
23	40141477	INT CORD A ASSY				1
24	40023371	SINGLE PHASE POWER CORD ASSY	FOR 1-PHASE 220V~240V			1
25	40005390	JE POWER CABLE ASM.	FOR CE 220V~240V			1
26	40154401	AC_POWER_CORD_A_L_ASM.	FOR 1-PHASE 220V~240V			1
27	40146295	AC_POWER_CORD_C_L_ASM.	FOR CE 220V~240V			1
28	40211697	MC603 CTL BOX ASM.	FOR 1-PHASE 220V~240V			1
29	40211698	MC603 CTL BOX CE ASM.	FOR CE 220V~240V			1
30	40113427	POWER SWITCH				1
31	40105475	FLT-CE PCB ASSY	FOR CE 220V~240V			1
32	40141706	ASSY_LED_DEVICE				1
33	40094262	PEDAL SENSOR BASE ASSY				1
34	40003491	ASSY_4_POSITION_PEDAL				1
35	40211699	LHB PANEL ASSY	FOR 1-PHASE 220~240V, 3-PHASE 200~240V, 1-PHASE 220~240V(FOR CHINA)			1
36	40211700	LBH PANEL ASSY CE	FOR 1-PHASE CE 220~240V			1
37	14115554	HEAD GROUND CABLE A ASM.				1
38	40211693	MAIN PCB ASSY				1
39	40211133	SDC PCB ASSY				1
40	40138137	IPM550W MOTOR				1

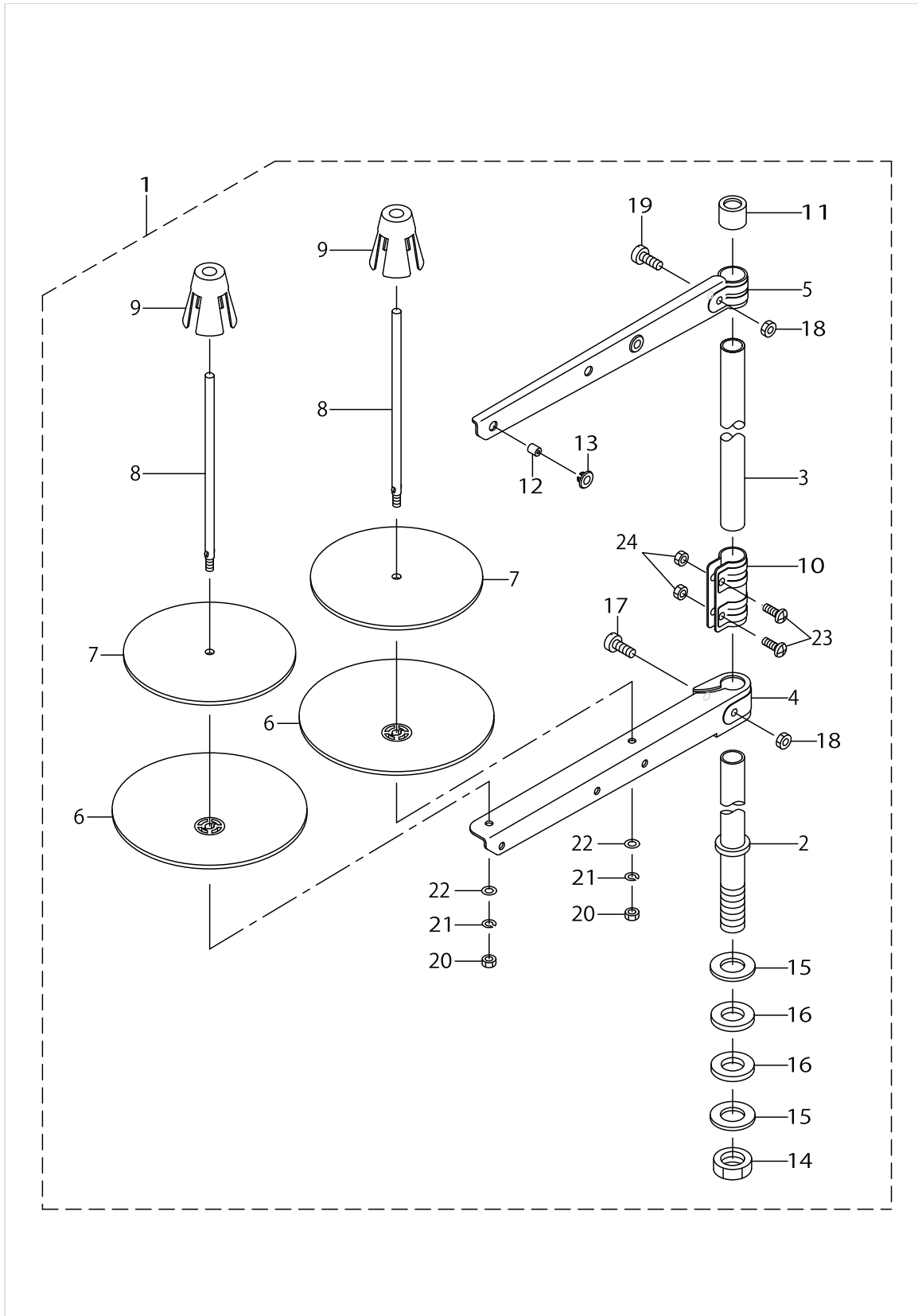
ACCESSORIE PARTS COMPONENTS



ACCESSORIE PARTS COMPONENTS

No.	Parts No.	Parts name	Remarks	Level	Cons	Qty
1	22932800	ACCESSORIE BAG				1
2	22933204	SCREW DRIVER SMALL				1
3	22933105	SCREW DRIVER MIDDLE				1
4	40009148	BOBBIN			☆	1
5	MDP5J0B1102	NEEDLE DPX5 #11J-2			☆	1
6	SL6040892TN	BOLT				1
7	CM600100201	WEEE INFORMATION SHEET				1
8	14101208	HEAD SUPPORT BAR				1
9	SM6067052TP	HEXAGON BOLT				4
10	22502504	THREAD GUIDE BAR				1
11	D6056555B00	RUBBER CUSHION (B)				4
12	40006323	JUKI GREASE A TUBE			☆	1
13	40189619	AUXILIARY_TABLE_ASM				1
14	40145523	INSTALLING_PLATE_SET		*		1
15	13785803	INSTALLING PLATE		*		2
16	SS7110570SP	SCREW 11/64-40 L=4.8		*		4
17	SM6061002TP	SCREW M6 L=10		*		2
18	40189620	AUXILIARY_TABLE_PAINTED		*		1
19	B91210120A0	OILER ASM.				1
20	MDFRX1200C0	NEW DEFRIX OIL NO.1(200ML)			☆	1
21	B2702047M00A	KNIFE 5/8			☆	1
22	22933006	SCREW DRIVER LARGE				1
23	B9107761000	THREAD PASSING INSTRUMENT			☆	1
24	40142172	ASSY_SAFETY_PLATE_B				1
25	40141799	SAFETY_PLATE_BASE		*		1
26	40141798	SAFETY_PLATE		*		1
27	SL4040891SC	SCREW M4 L=8		*		2
28	SM6040602TP	SCREW M4 L=6		*		1
29	WP0612056SD	WASHER 6.1X18.5X2				4
30	NM6060001SD	NUT M6				8
31	26234005	VINYL COVER				1
32	13943402	TIMING GAUGE				1
33	B2702047K00A	KNIFE 3/8			☆	1
34	29180403	EC PRODUCTION DECLARATION				1

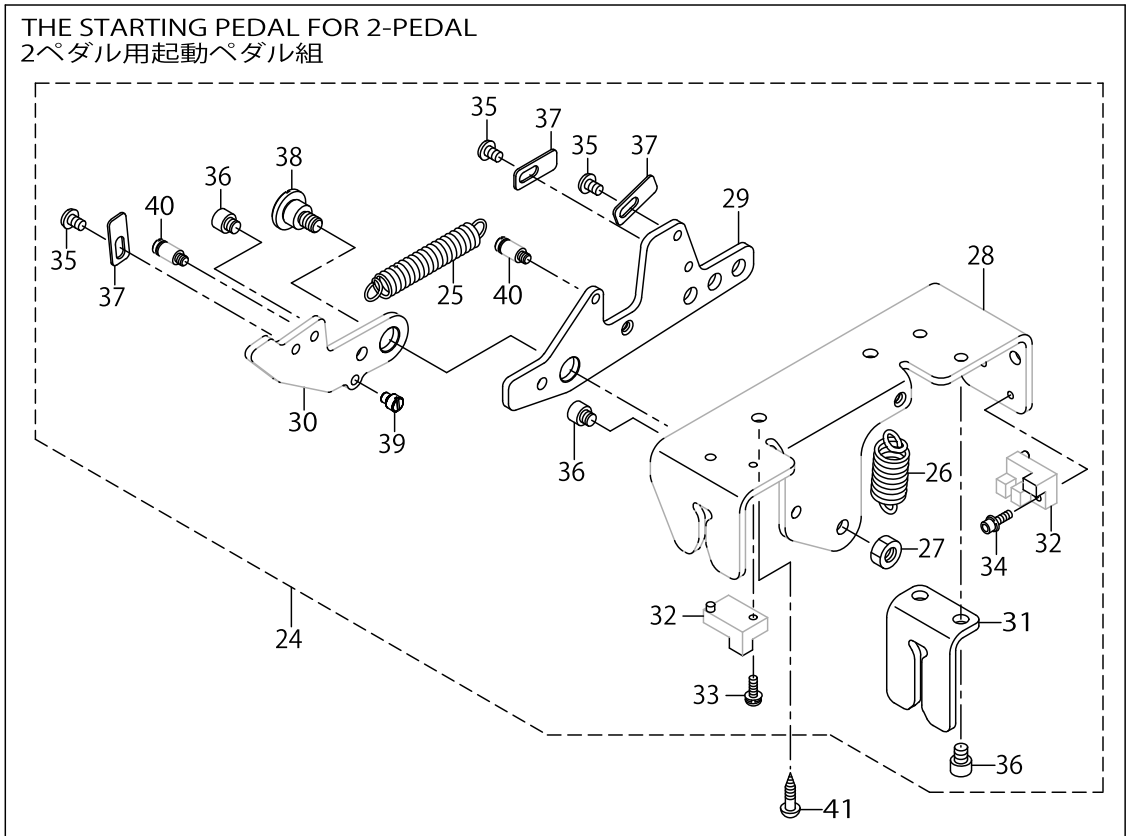
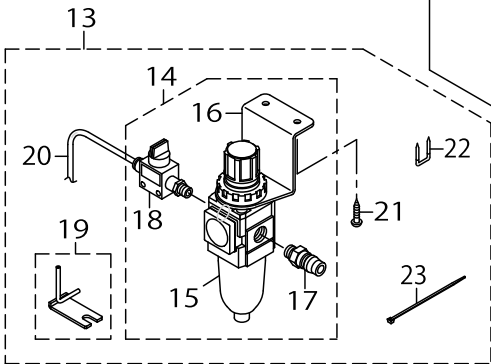
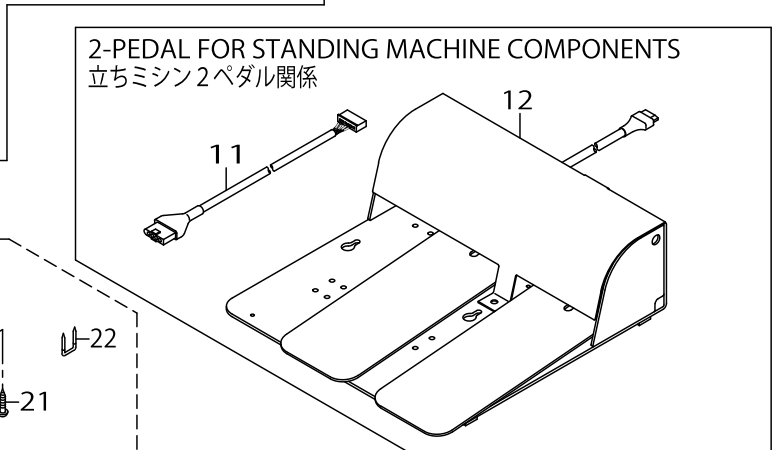
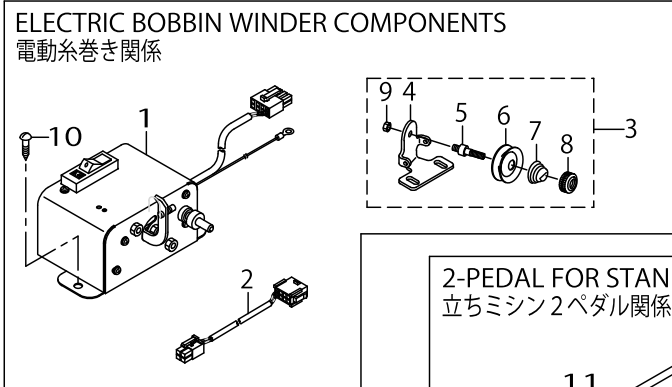
THREAD STAND COMPONENTS



THREAD STAND COMPONENTS

No.	Parts No.	Parts name	Remarks	Level	Cons	Qty
1	40096354	THREAD STAND ASM.				1
2	40085784	SPOOL REST ROD LOWER		*		1
3	40085785	SPOOL REST ROD UPPER		*		1
4	40085786	SPOOL REST ARM LOWER		*		1
5	40085787	SPOOL REST ARM UPPER		*		1
6	40085788	SPOOL REST		*		2
7	40085789	SPOOL REST CUSHION		*	☆	2
8	40085790	SPOOL PIN		*		2
9	40085791	SPOOL RETAINER		*		2
10	40085792	SPOOL REST ROD JOINT		*		1
11	40085793	SPOOL REST ROD RUBBER CAP		*		1
12	40085794	THREAD GUIDE		*		2
13	40085795	THREAD GUIDE BUSHING		*		2
14	40096325	SPOOL REST ROD NUT		*		1
15	WP1612616SE	WASHER 16X30X2.6		*		2
16	40085796	SPOOL REST ROD RUBBER CUSHION		*		2
17	40096326	SPOOL REST ARM LOWER SCREW		*		1
18	NM6050001SE	NUT M5		*		2
19	40096327	SPOOL REST ARM UPPER SCREW		*		1
20	NM6050001SE	NUT M5		*		2
21	WS0510002KN	SPRING WASHER M5		*		2
22	WP0531001SC	WASHER M5		*		2
23	SM4051405SE	SCREW M5 L=14		*		2
24	NM6050001SE	NUT M5		*		2

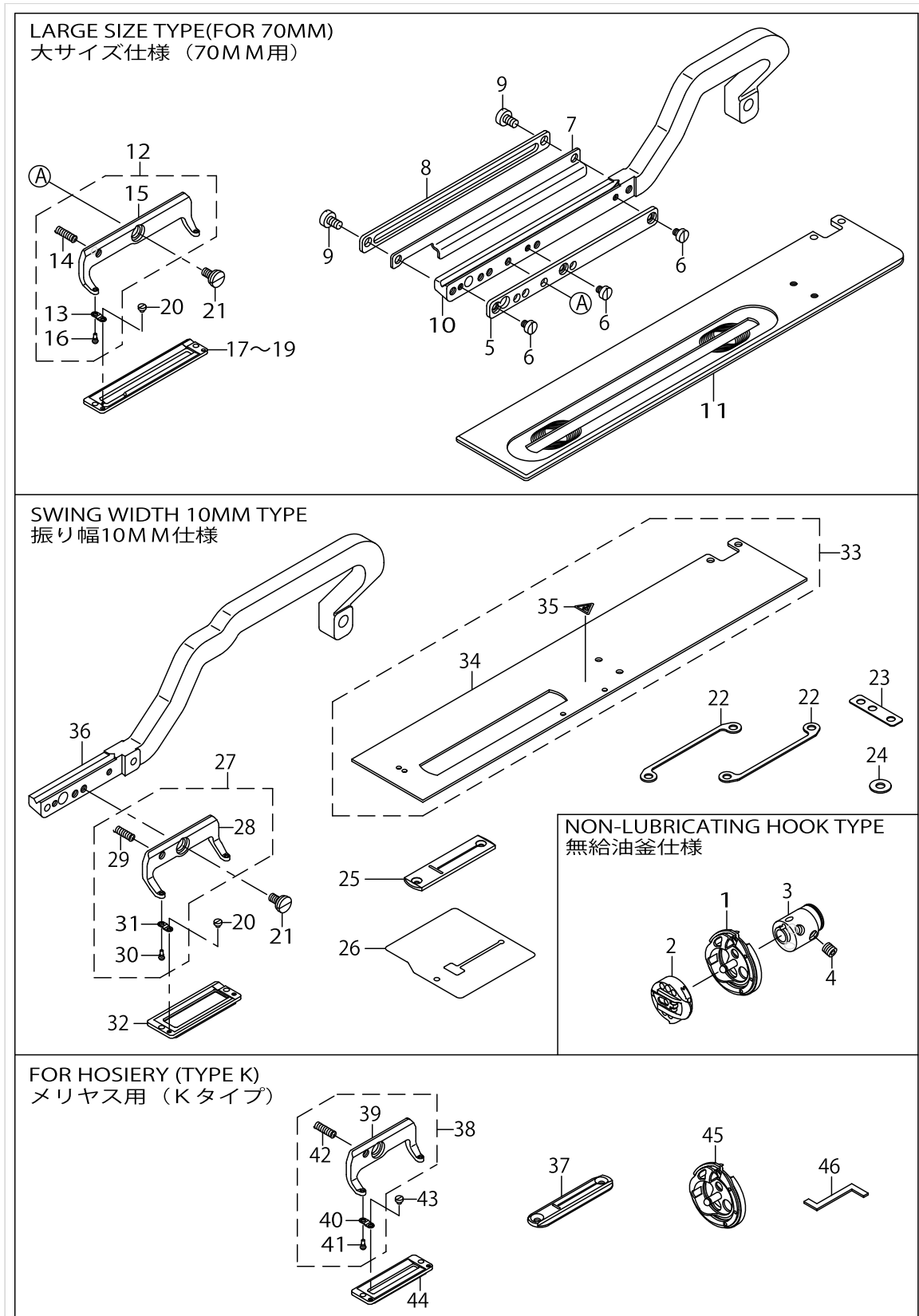
SPECIAL SPECIFICATIONS COMPONENTS (1)



SPECIAL SPECIFICATIONS COMPONENTS (1)

No.	Parts No.	Parts name	Remarks	Level	Cons	Qty
1	G50011980A0A	BOBBIN WINDER ASM.				1
2	40005405	WINDER CORD ASSY				1
3	B32217710A0	BOBBIN WINDER TENSION BRACKET ASM.				1
4	B3221771000	BOBBIN WINDER TENSION BRACKET		*		1
5	B3219232000	BOBBIN WINDER TENSION POST		*		1
6	B3214047000	BOBBIN WINDER TENSION DISC		*		2
7	B3218232000	BOBBIN WINDER TENSION SPRING		*		1
8	B3216047000	BOBBIN WINDER TENSION NUT		*		1
9	NS6110310SP	NUT 11/64-40		*		1
10	SK3452000SC	WOOD SCREW D=4.5 L=20				4
11	40003493	PK PEDAL JOINT CORD ASSY				1
12	GPK510010B0	PEDAL SWITCH ASM.				1
13	40097040	HOOK COOLING UNIT B				1
14	40023432	FILTER REGULATOR ASM.		*		1
15	PF0551060A0	FILTER REGULATOR		*		1
16	PF902005000	REGULATOR BRACKET		*		1
17	PJ025100003	PLUG		*		1
18	PV015122000	FINGER VALVE		*		1
19	40094012	PIPE BRACKET ASM.		*		1
20	BT0400251EB	URETHANE HOSE BLACK		*		1.5
21	SK3412001SE	WOOD SCREW D=4.1 L=20		*		2
22	MAO11532000	CORD STAPLE		*		2
23	EA9500B0100	CABLE BAND		*		2
24	40003491	ASSY_4_POSITION_PEDAL				1
25	13731906	SPRING		*		1
26	B2583210D00	SPRING		*		1
27	NM6060001CP	NUT M6		*		1
28	40004360	PEDAL_FRAME		*		1
29	40004361	PEDAL_FRAME_A		*		1
30	40004362	PEDAL_FRAME_B		*		1
31	40004363	PEDAL_FRAME_GUIDE		*		1
32	HD00057000A	PHOTO SENSOR		*		2
33	SL4031091SC	SCREW M3 L=10		*		1
34	SL6031042TN	SCREW		*		1
35	SM5040655SN	SCREW		*		3
36	SM6050652TP	HEXAGON SOCKET HEAD SCREW M5X6		*		4
37	40004364	SENSOR_DETECTING_PLATE		*		3
38	SD1000646TP	SHOULDER SCREW D=10 H=6.4		*		1
39	40004299	STOPPER_PIN		*		1
40	40004327	SUSPENSION_SCREW		*		2
41	SK3482001SE	WOOD SCREW D=4.8 L=20				2


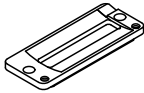
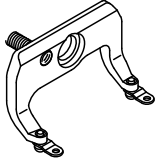
SPECIAL SPECIFICATIONS COMPONENTS (2)


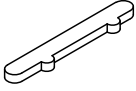
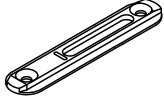


SPECIAL SPECIFICATIONS COMPONENTS (2)

No.	Parts No.	Parts name	Remarks	Level	Cons	Qty
1	40006345	RP_HOOK_ASM.			☆	1
2	40006349	RP_BOBBIN_CASE			☆	1
3	13729603	HOOK SLEEVE				1
4	SS8660612TP	SCREW 1/4-40 L=6				4
5	40006340	WORK_CLAMP HOLDER_SPACE	FOR PRESSER 70MM			1
6	SM6040450TP	SCREW M4 L=4	FOR PRESSER 70MM			3
7	40028682	UTT_CLOSE_CAM_120B				1
8	40112711	LIFTING_PLATE_120				1
9	SM6050800SP	SCREW M5 L=8				2
10	40006335	WORK_CLAMP_ARM_120				1
11	40006339	WORK_CLAMP_CARRIER_120				1
12	14523252	PRESSER FOOT 70 ASM.	FOR PRESSER 70MM			1
13	B1509761000	PRESSER FITTING PLATE SPRING		*		2
14	B1512761000	PRESSER FOOT HOLDER SPRING		*		1
15	14523203	PRESSER FOOT 70		*		1
16	B151077100B	PRESSER FOOT PIN B		*		2
17	14523708	URETHANE PRESSER 70	FOR PRESSER 70MM			1
18	14524102	PRESSER 70 (FLAT)	FOR PRESSER 70MM			1
19	14523401	PRESSER 70	FOR PRESSER 70MM			1
20	SS6060210SP	SCREW 3/32-56 L=1.9				6
21	SD0790203SP	HINGE SCREW D=7.94 H=2	FOR PRESSER 70MM			3
22	40011319	THROAT_PLATE_BASE_SPACER				2
23	40004326	BTT_SPACER				1
24	WP0551016SH	WASHER 5.5X13X1				2
25	40015733	THROAT_PLATE(S10)	FOR SWING WIDTH 10MM			1
26	40015802	OIL_SHIELD_10	FOR SWING WIDTH 10MM			1
27	40020010	WORK_CLAMP HOLDER(3-10)_ASSY	FOR SWING WIDTH 10MM			1
28	40020011	WORK_CLAMP HOLDER(3-10)		*		1
29	40008638	WORK_CLAMP_CHECK HOLDER_SPRING_B		*		1
30	B151077100B	WORKCLAMPCHECKSPRINGSETPIN(B)		*		2
31	B1509761000	WORK_CLAMP CHECK SPRING		*		2
32	40017810	WORK_CLAMP(3S-10)	FOR SWING WIDTH 10MM			1
33	40020014	WORK_CLAMP_CARRIER(10X41)_CL	FOR SWING WIDTH 10MM			1
34	40020012	WORK_CLAMP_CARRIER(10X41)		*		1
35	CM300200001	ATTENTION SEAL		*		1
36	40020013	WORK_CLAMP_ARM(10X41)	FOR SWING WIDTH 10MM			1
37	40027554	THROAT_PLATE				1
38	D1511772KA0	WORK_CLAMP CHECK HOLDER ASM.				1
39	B1511772000A	WORK_CLAMP CHECK HOLDER		*		1
40	B1509761000	WORK_CLAMP CHECK SPRING		*		2
41	B151077100B	WORKCLAMPCHECKSPRINGSETPIN(B)		*		2
42	B1512761000	WORK_CLAMP CHECK HOLDER SPRING		*		1
43	SS6060210SP	SCREW 3/32-56 L=1.9				2
44	D1508772K00	WORK_CLAMP CHECK (2K)				1
45	13782065	HOOK COMPL. K				1
46	13782107	HOOK TIMING GAUGE K				1

EXCHANGING PARTS

Cloth Cutting Knife 布切りメス				Presser Foot (Length of Cloth Cutting Knife) 押え (布切りメス長さ)			Presser Foot (Presser Size) 押え足 (押えサイズ)		
									
									Standard 標準
inch	mm	No	Part No	No	Part No	No	Part No		
1/4	6.4	1	B2702-047-F00	12	B1552-781-000-A	15	D1508-771-K00-A	18	D1511-771-KA0-A
3/8	9.5	2	B2702-047-K00-A						
7/16	11.1	3	B2702-047-I00						
1/2	12.7	4	B2702-047-L00-A						
9/16	14.3	5	B2702-047-V00						
5/8	15.9	6	B2702-047-M00-A						
11/16	17.5	7	B2702-047-A00						
3/4	19.1	8	B2702-047-N00						
7/8	22.2	9	B2702-047-P00	13	B1552-782-000	16	D1508-772-K00	19	D1511-772-KA0
1	25.4	10	B2702-047-Q00-A						
1-1/4	31.8	11	B2702-047-S00-A	14	B1552-783-000	17	D1508-773-K00	20	D1511-773-KA0

Cloth Cutting Knife 布切りメス				Knife Guard メス受板		Throat Plate 針板	
							
inch	mm	No	Part No	No	Part No	No	Part No
1/4	6.4	21	B2745-771-F00	31	B2746-771-000	32	137-82800
3/8	9.5	22	B2745-771-K00				
1/2	12.7	23	B2745-771-L00				
9/16	14.3	24	B2745-771-H00				
5/8	15.9	25	B2745-771-M00				
3/4	19.1	26	B2745-771-N00				
7/8	22.2	27	B2745-771-P00				
1	25.4	28	B2745-771-Q00				
1-1/8	28.6	29	B2745-771-R00				
1-1/4	31.8	30	B2745-771-S00				

EXCHANGING PARTS

No.	Parts No.	Parts name	Remarks	Level	Cons	Qty
1	B2702047F00	KNIFE 1/4				1
2	B2702047K00A	KNIFE 3/8				1
3	B2702047I00	KNIFE (7/16)				1
4	B2702047L00A	KNIFE 1/2				1
5	B2702047V00	KNIFE 9/16				1
6	B2702047M00A	KNIFE 5/8				1
7	B2702047A00	KNIFE 11/16				1
8	B2702047N00	KNIFE 3/4				1
9	B2702047P00	KNIFE 7/8				1
10	B2702047Q00A	KNIFE 1				1
11	B2702047S00A	KNIFE 1-1/4				1
12	B1552781000A	PRESSER				1
13	B1552782000	WORK CLAMP CHECK, 2				1
14	B1552783000	WORK CLAMP CHECK, 3				1
15	D1508771K00A	LATCH WORK CLAMP CHECK				1
16	D1508772K00	WORK CLAMP CHECK (2K)				1
17	D1508773K00	WORK CLAMP CHECK (3K)				1
18	D1511771KA0A	WARK CLAMP CHECK HOLDER ASM.				1
19	D1511772KA0	WORK CLAMP CHECK HOLDER				1
20	D1511773KA0	WORK CLAMP CHECK HOLDER				1
21	B2745771F00	KNIFE 1/4"(FLUOROCARBON)				1
22	B2745771K00	KNIFE 3/8"(FLUOROCARBON)				1
23	B2745771L00	KNIFE 1/2				1
24	B2745771H00	KNIFE 9/16"(FLUOROCARBON)				1
25	B2745771M00	KNIFE 5/8				1
26	B2745771N00	KNIFE 3/4				1
27	B2745771P00	KNIFE 7/8"(FLUOROCARBON)				1
28	B2745771Q00	KNIFE 1				1
29	B2745771R00	KNIFE 1-1/8"(FLUOROCARBON)				1
30	B2745771S00	KNIFE 1-1/4				1
31	B2746771000	KNIFE GUARD				1
32	13782800	THROAT PLATE(FLUOROCARBON)				1

HOW TO MAKE USE OF THIS PARTS LIST

- 1.As to "#01" and "#02" refer to the "Note" given at the bottom of the respective pages.
- 2.Codes on the "Qty" column
 - Each numeral indicates the number of parts required.
 - "0.1" and "2.5" indicate the length (in meters) of the respective parts.
- 3.Parentheses mean that the corresponding part is a subpart that constructs an assembly part.
- 4.Dotted lines on the Figures indicate assembly parts.
- 5.As to the parts with marks of "☆"(Consumable parts)and "◎"(optional parts)on the respective parts, it is recommended to prepare spares.

1. リストページの#01、#02の印は、ページ下の"注記"の説明を参照下さい。
2. 数量欄の数字は、個数を表し、0.1、2.5等の数値は、長さ（単位メートル）を表します。
3. 数量欄の（ ）は、組部品を構成している子部品であることを意味します。
4. イラストページの-----枠は、組構成であることを意味します。
5. リストページの"☆"（消耗部品）、"◎"（オプション部品）の印が付いた部品は、予備を準備しておくことをお勧めします。

NUMERICAL INDEX OF PARTS

PART NO	PAGE	REF NO.	PART NO	PAGE	REF NO.	PART NO	PAGE	REF NO.
11155108	32	3	22902506	4	85	40004216	20	25
11155207	32	4	22918304	10	32	40004217	20	26
11157567	32	7	22920409	6	41	40004218	20	13
11272507	22	24	22921506	8	50	40004224	20	21
13127402	16	43	22921605	6	47	40004232	24	52
13700406	4	51	22932800	42	1	40004234	22	37
13700505	4	52	22933006	42	22	40004236	22	43
13700604	4	50	22933105	42	3	40004238	22	27
13700703	4	62	22933204	42	2	40004240	24	50
13703806	2	24	23530405	20	4	40004243	24	63
13703905	2	25	23630007	14	26	40004244	22	41
13705207	8	63	26201004	6	39	40004245	22	42
13705405	4	69	26230409	2	13	40004246	24	64
13706403	20	14	26230409	6	10	40004247	22	40
13710306	14	11	26234005	42	31	40004248	22	38
13710405	14	20	26260208	6	16	40004249	24	62
13710504	14	12	26260307	6	17	40004250	24	65
13727102	28	54	26260406	6	18	40004252	6	13
13729066	14	13	26260505	6	19	40004252	22	39
13729306	28	55	26260604	6	20	40004254	22	29
13729603	14	31	26260802	6	22	40004254	26	22
13729603	48	3	26261206	6	26	40004255	24	70
13729652	14	30	26261305	6	27	40004264	22	33
13729769	14	29	26261503	6	28	40004265	22	34
13731906	46	25	26261602	6	29	40004267	16	37
13737408	26	9	26261701	6	30	40004275	18	79
13782065	48	45	29180403	42	34	40004279	18	51
13782107	48	46	32002354	40	3	40004280	18	50
13782800	50	32	40003491	40	34	40004285	18	48
13785803	42	15	40003491	46	24	40004287	18	58
13922208	2	47	40003493	46	11	40004288	18	59
13943303	4	56	40003499	40	4	40004291	18	78
13943402	42	32	40004171	10	22	40004293	22	4
14101208	42	8	40004180	14	18	40004296	22	36
14115554	8	58	40004185	10	12	40004297	22	66
14115554	40	37	40004186	14	8	40004297	24	66
14504401	14	17	40004187	14	9	40004298	22	67
14523203	48	15	40004188	14	5	40004298	24	67
14523252	48	12	40004194	16	5	40004299	26	69
14523401	48	17~19	40004198	16	8	40004299	28	69
14523708	48	17~19	40004200	16	9	40004299	46	39
14524102	48	17~19	40004201	16	10	40004301	26	46
22502504	2	42	40004205	16	18	40004306	26	39
22502504	42	10	40004213	20	31	40004308	26	32
22891204	16	3	40004215	20	33	40004309	26	29

NUMERICAL INDEX OF PARTS

PART NO	PAGE	REF NO.	PART NO	PAGE	REF NO.	PART NO	PAGE	REF NO.
40004311	26	36	40008977	4	57	40028634	24	48
40004321	26	31	40008978	4	58	40028636	24	61
40004324	26	47	40009037	4	64	40028682	48	7
40004326	48	23	40009148	42	4	40029613	26	33
40004327	26	68	40010286	20	5~8	40037008	6	8
40004327	28	68	40010286	30	14~17	40040276	30	28
40004327	46	40	40010287	20	5~8	40042089	30	18
40004328	28	73	40010287	30	14~17	40042134	32	21
40004329	26	4	40010288	20	5~8	40050700	2	41
40004336	26	3	40010288	30	14~17	40051473	10	15
40004343	26	7	40010289	20	5~8	40051474	10	16
40004344	26	8	40010289	30	14~17	40085784	44	2
40004345	28	52	40010434	16	15	40085785	44	3
40004346	28	64	40010435	16	16	40085786	44	4
40004347	28	53	40010489	30	23	40085787	44	5
40004348	28	65	40010534	10	24	40085788	44	6
40004349	28	71	40010535	10	25	40085789	44	7
40004360	46	28	40011144	6	21	40085790	44	8
40004361	46	29	40011145	6	23	40085791	44	9
40004362	46	30	40011146	6	24	40085792	44	10
40004363	46	31	40011205	28	50	40085793	44	11
40004364	46	37	40011319	48	22	40085794	44	12
40004373	20	23	40011327	28	63	40085795	44	13
40004374	20	24	40011355	14	16	40085796	44	16
40004378	20	2	40011517	10	1	40088990	20	1
40004379	20	3	40015674	24	54	40091212	6	6
40004393	30	30	40015702	24	51	40094012	46	19
40004394	30	29	40015733	48	25	40094259	32	9
40004396	30	5	40015802	48	26	40094260	32	10
40004398	30	27	40017810	48	32	40094262	32	8
40004400	22	17	40020010	48	27	40094262	40	33
40005390	40	24·25	40020011	48	28	40096325	44	14
40005400	40	2	40020012	48	34	40096326	44	17
40005405	46	2	40020013	48	36	40096327	44	19
40006261	40	19	40020014	48	33	40096354	44	1
40006314	4	49	40020310	18	67	40097040	46	13
40006317	14	21	40021933	6	25	40099913	32	11
40006320	14	25	40021998	26	27	40101638	22	30
40006323	42	12	40022121	16	11	40101638	26	23
40006335	48	10	40022322	26	30	40101641	22	28
40006339	48	11	40022323	26	28	40101642	22	31
40006340	48	5	40023371	40	24·25	40101649	26	6
40006345	48	1	40023432	46	14	40105475	36	16
40006349	48	2	40027553	28	49	40105475	40	31
40008638	48	29	40027554	48	37	40111214	4	73

NUMERICAL INDEX OF PARTS

PART NO	PAGE	REF NO.	PART NO	PAGE	REF NO.	PART NO	PAGE	REF NO.
40111214	36	17	40141716	10	19	40142166	24	49
40111214	40	20	40141717	12	49	40142170	26	2
40112711	48	8	40141719	10	18	40142172	42	24
40113427	36	42	40141720	10	9	40142752	14	24
40113427	40	30	40141721	10	6	40142753	14	22
40114398	36	35	40141725	10	30	40142754	14	23
40115874	36	7	40141726	10	31	40142755	16	33
40115876	36	9	40141727	10	34	40142878	10	36
40115877	36	26	40141730	10	35	40142880	10	33
40115878	36	28	40141739	14	14	40142966	32	1
40115879	36	12	40141741	16	13	40142969	38	56
40126724	8	52	40141742	16	27	40143150	10	5
40138137	10	13	40141743	18	60	40143988	36	6
40138137	40	40	40141744	16	12	40143989	36	5
40138611	4	70	40141745	18	53	40143990	36	27
40138611	40	1	40141746	18	57	40144294	38	49
40139180	20	39	40141747	18	52	40145327	4	78
40139180	40	13	40141748	18	68	40145328	2	20
40139181	16	1	40141753	18	54	40145523	42	14
40139181	40	14	40141754	16	46	40146295	40	26-27
40139182	16	34	40141755	16	45	40150011	10	23
40139182	40	15	40141756	18	55	40150131	36	38
40139183	30	2	40141757	16	44	40154401	40	26-27
40139183	40	18	40141758	20	37	40165700	16	36
40140040	22	46	40141759	20	10	40165702	38	55
40140040	40	16	40141760	20	9	40172470	6	43
40140041	26	12	40141774	22	35	40172472	8	53
40140041	40	17	40141778	26	5	40172473	8	54
40141477	8	61	40141779	26	18	40172474	8	55
40141477	40	23	40141782	30	8	40174311	6	38
40141478	8	59	40141783	30	13	40174312	8	57
40141478	40	22	40141785	30	19	40174313	8	51
40141479	8	60	40141786	30	24	40174350	6	1
40141479	40	21	40141787	30	25	40189600	6	15
40141480	40	5	40141788	16	30	40189613	2	5
40141481	40	7	40141794	18	49	40189614	2	15
40141482	40	9	40141795	2	33	40189615	2	11
40141483	4	79	40141798	42	26	40189616	2	7
40141483	40	12	40141799	42	25	40189617	2	9
40141484	40	11	40141801	16	31	40189618	2	44
40141706	2	45	40141802	28	70	40189619	42	13
40141706	40	32	40142152	10	2	40189620	42	18
40141710	2	26	40142161	16	29	40189628	6	14
40141711	2	27	40142163	30	11	40189631	2	39
40141713	4	66	40142164	30	12	40189633	2	3

NUMERICAL INDEX OF PARTS

PART NO	PAGE	REF NO.	PART NO	PAGE	REF NO.	PART NO	PAGE	REF NO.
40189634	2	43	B151077100B	48	41	B32217710A0	46	3
40189635	2	17	B1511771000B	18	71	B9107761000	42	23
40189636	2	18	B1511772000A	48	39	B91210120A0	42	19
40189853	36	36	B1512761000	18	74	BT0400251EB	46	20
40191268	6	42	B1512761000	48	42	CM300100001	36	39
40203044	22	26	B1552781000A	18	76	CM300200001	4	72
40203064	10	28	B1552781000A	50	12	CM300200001	48	35
40203065	14	19	B1552782000	50	13	CM300200003	4	68
40203066	16	6	B1552783000	50	14	CM300400602	36	40
40203068	10	38	B1623180000	26	34	CM301300001	4	71
40203078	20	17	B1811771000	14	28	CM600100101	34	4
40203086	14	6	B2583210D00	46	26	CM600100101	36	41
40203090	10	39	B2702047A00	50	7	CM600100201	42	7
40203093	24	71	B2702047F00	50	1	CQ202000000	14	27
40203098	30	4	B2702047I00	50	3	CQ252000000	14	32
40203121	6	4	B2702047K00A	42	21·33	CS0800881TP	22	25
40203125	10	46	B2702047K00A	50	2	D1508771K00A	50	15
40203126	20	35	B2702047L00A	30	31	D1508772K00	48	44
40203128	20	30	B2702047L00A	50	4	D1508772K00	50	16
40203133	16	4	B2702047M00A	42	21·33	D1508773K00	50	17
40203134	2	1	B2702047M00A	50	6	D1511771KA0A	18	70
40203136	20	34	B2702047N00	50	8	D1511771KA0A	50	18
40203137	10	47	B2702047P00	50	9	D1511772KA0	48	38
40203139	10	45	B2702047Q00A	50	10	D1511772KA0	50	19
40203150	10	41	B2702047S00A	50	11	D1511773KA0	50	20
40203151	16	7	B2702047V00	50	5	D6056555B00	4	61
40203152	10	43	B2745771F00	50	21	D6056555B00	42	11
40210180	10	26	B2745771H00	50	24	D8204555D00	32	6
40210182	20	29	B2745771K00	50	22	E2002855000	4	60
40211133	36	23	B2745771L00	50	23	E8760452S00	36	3
40211133	40	39	B2745771M00	50	25	EA9500B0100	8	62
40211693	36	13	B2745771N00	50	26	EA9500B0100	22	3
40211693	40	38	B2745771P00	50	27	EA9500B0100	36	15
40211697	36	1·2	B2745771Q00	50	28	EA9500B0100	46	23
40211697	40	28·29	B2745771R00	50	29	EA9500B0200	38	48
40211698	36	1·2	B2745771S00	50	30	G50011980A0A	46	1
40211698	40	28·29	B2746771000	50	31	GPK510010B0	46	12
40211699	34	1·2	B3013141H0A	26	35	HD00057000A	16	2
40211699	40	35·36	B3118552H00	6	46	HD00057000A	22	47
40211700	34	1·2	B3132012000	8	56	HD00057000A	26	19
40211700	40	35·36	B3214047000	46	6	HD00057000A	40	10
B141423200A	20	28	B3216047000	46	8	HD00057000A	46	32
B1509761000	18	72	B3218232000	46	7	HF0013050P0	36	46·47
B1509761000	48	40	B3219232000	46	5	HF003000200	38	46·47
B151077100B	18	73	B3221771000	46	4	HN002460000	36	44

NUMERICAL INDEX OF PARTS

PART NO	PAGE	REF NO.	PART NO	PAGE	REF NO.	PART NO	PAGE	REF NO.
HX001500000	4	81	PS0400082KP	24	72	SL4031091SC	16	19
HX00150000A	26	1	PV015122000	46	18	SL4031091SC	22	7
HX00151000A	6	12	RC0100001KP	10	4	SL4031091SC	26	13
HX00222000D	36	31	RC0410415KP	6	44	SL4031091SC	46	33
HX002550000	14	33	RC0560711KP	6	31	SL4040881SC	36	37
HX00292000A	36	21	RC1700001KP	8	48	SL4040891SC	42	27
HX00339000M	36	22	RC2791218KP	14	7	SL4041081SC	36	24
KX000000210	32	13	RC3781518KP	10	3	SL4041281SC	36	33
KX000000230	32	14	RE0300000K0	22	2	SL4041601SC	32	12
KX000000260	36	19	RE0400000K0	6	32	SL4042091SC	36	18
KX000000320	36	32	RE0500000K0	6	40	SL4042591SC	4	75
KX000000380	4	54	RE0500000K0	16	42	SL4051291SC	32	20
M300451100A	36	45	SB1040008C0	30	22	SL6031042TN	46	34
M8002430000	36	34	SB110000600	14	2	SL6040892TN	2	63
MAO11532000	46	22	SB110000700	10	7	SL6040892TN	4	63
MAZ16013000	24	69	SB1120003C0	30	7	SL6040892TN	28	72
MDFRX1200C0	42	20	SB112001600	14	1	SL6040892TN	42	6
MDP5J0B1100	20	16	SB115000200	14	3	SL6041292TN	28	74
MDP5J0B1102	42	5	SB115001500	14	4	SL6041492TN	30	3
MTSHJ100003	32	18	SB1200008C0	10	27	SM0040801SC	2	19
MTSHJ100003	38	58	SB307000200	18	56	SM0050801SC	6	9
NM6030001SD	2	22	SB408000100	16	47	SM1030400SP	28	48
NM6040000SN	6	37	SB710000600	16	14	SM4040655SP	2	28
NM6040000SN	22	32	SD0250101SP	26	42	SM4041050TP	28	58
NM6040001SC	2	74	SD0500166TP	26	43	SM4051001SC	32	15
NM6040001SC	4	74	SD0500167TP	26	44	SM4051055SP	2	16
NM6040001SD	26	66	SD0600266TP	22	8	SM4051405SE	44	23
NM6040001SD	28	66	SD0600326TP	22	21	SM4051655SP	2	12
NM6050001SD	6	7	SD0790203SP	18	77	SM5040550TP	16	28
NM6050001SE	44	24	SD0790203SP	48	21	SM5040655SN	6	34
NM6050001SP	20	22	SD0800296TP	26	62	SM5040655SN	46	35
NM6050001SP	22	57	SD0800296TP	28	62	SM6031002TN	8	49
NM6050001SP	24	57	SD0800326TP	16	35	SM6031402TP	2	23
NM6050001SP	26	11	SD0800406TP	22	22	SM6040450TP	26	61
NM6060001CP	46	27	SD0801006TP	26	67	SM6040450TP	28	61
NM6060001SC	38	57	SD0801006TP	28	67	SM6040450TP	48	6
NM6060001SD	4	53	SD0801506TP	22	23	SM6040502TP	16	41
NM6060001SD	42	30	SD1000646TP	46	38	SM6040502TP	20	27
NM6080002SC	32	17	SK3311600SC	32	5	SM6040600SP	22	59
NM6080002SC	38	52	SK3382001SE	34	3	SM6040600SP	24	59
NM6100001SD	10	8	SK3412001SE	46	21	SM6040600SP	26	59
NS6110310SP	46	9	SK3452000SC	46	10	SM6040600SP	28	59
PF0551060A0	46	15	SK3482001SE	46	41	SM6040602TP	2	82
PF902005000	46	16	SK3512001SE	36	43	SM6040602TP	4	82
PJ025100003	46	17	SL4030881SC	4	80	SM6040602TP	6	11

NUMERICAL INDEX OF PARTS

PART NO	PAGE	REF NO.	PART NO	PAGE	REF NO.	PART NO	PAGE	REF NO.
SM6040602TP	10	42	SM6061802TP	20	12	TA2100904R0	4	76
SM6040602TP	16	20	SM6062502TP	10	44	WP0430800SC	28	51
SM6040602TP	22	58	SM6067052TP	2	37	WP0430800SC	36	4
SM6040602TP	24	58	SM6067052TP	42	9	WP0430801SC	22	6
SM6040602TP	26	57	SM7030550TP	20	15	WP0430801SC	26	26
SM6040602TP	28	57	SM7030550TP	28	56	WP0430801SC	30	32
SM6040602TP	42	28	SM7040800SL	6	5	WP0431005SP	24	53
SM6040610SC	20	36	SM8040412TP	12	48	WP0431005SP	26	37
SM6040650TP	4	77	SM8040612TP	6	45	WP0450826SC	6	33
SM6040750TP	20	32	SM8040802TP	6	36	WP0451016SP	26	38
SM6040802TP	16	61	SM8050412TP	16	17	WP0531001SC	44	22
SM6040802TP	18	61	SM8050412TP	22	19	WP0550800SP	24	56
SM6040802TP	22	12	SM8050412TP	26	16	WP0551016SH	48	24
SM6040802TP	26	15	SM8050502TP	6	35	WP0612056SD	4	55
SM6040860TP	22	11	SM8050502TP	14	10	WP0612056SD	42	29
SM6041002TP	16	22	SM8050502TP	16	40	WP0621046SP	10	10
SM6041002TP	30	26	SM8050502TP	20	18	WP0651646SC	38	53
SM6041200SP	22	13	SM8050502TP	22	20	WP0851846SC	32	19
SM6041200SP	28	60	SM8050602TP	18	66	WP0852086SC	38	50
SM6041202TP	16	38	SM8050612TP	30	20	WP1612616SE	44	15
SM6041202TP	20	38	SM80506A2TP	10	40	WS0510002KN	44	21
SM6041602TP	18	62	SM8060552TP	16	39	WS0820002KR	32	16
SM6050652TP	2	29	SM8060612TP	18	69	WS0820002KR	38	51
SM6050652TP	22	14	SM80606A2TP	2	38	WT0640001KN	38	54
SM6050652TP	46	36	SM80606A2TP	10	29			
SM6050800SP	18	63	SM80606A2TP	14	15			
SM6050800SP	22	15	SM80606A2TP	16	26			
SM6050800SP	48	9	SM80606A2TP	20	19			
SM6050802TP	2	48	SM80608A2TP	10	37			
SM6050802TP	4	48	SM8081652TP	10	21			
SM6050802TP	6	3	SM9040700SP	26	17			
SM6050802TP	22	60	SM9040700SP	30	33			
SM6050802TP	24	60	SM9061403CP	10	11			
SM6050802TP	28	75	SS6060210SP	18	75			
SM6051002TP	18	65	SS6060210SP	48	43			
SM6051202TP	24	68	SS7110570SP	42	16			
SM6051202TP	30	10	SS8660612TP	48	4			
SM6051402TP	30	21	ST9053511SR	32	2			
SM6052002TR	10	14	TA0500301R0	2	46			
SM6061002TP	2	36	TA0550604R0	4	83			
SM6061002TP	16	23	TA0750404R0	4	84			
SM6061002TP	42	17	TA0850604R0	4	67			
SM6061202TP	20	20	TA1050504R0	2	32			
SM6061202TP	30	6	TA1250406R0	2	34			
SM6061802TP	16	24	TA1550902R0	2	35			