

MODEL : LS-2342/LS-2342-7

List No : 1676-07

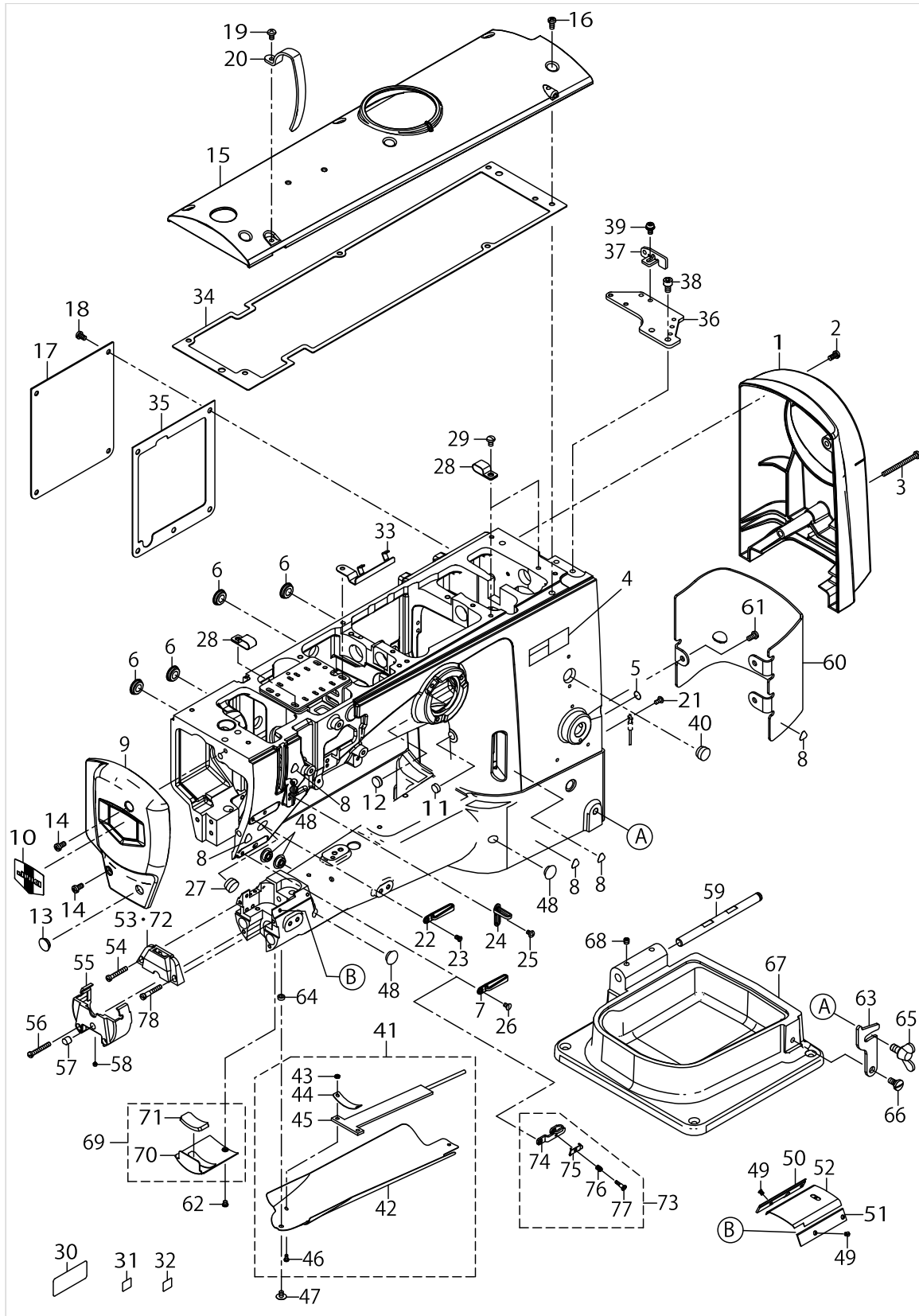
PARTS LIST

Published:02/28/2018

CONTENTS

FRAME & MISCELLANEOUS COVER COMPONENTS	1
MAIN SHAFT & THREAD TAKE-UP LEVER COMPONENTS	5
NEEDLE BAR COMPONENTS	7
LOWER SHAFT COMPONENTS.....	9
UPPER FEED COMPONENTS.....	15
HAND LIFTER & AUTO LIFTER COMPONENTS.....	19
KNEE LIFTER COMPONENTS.....	21
LOWER FEED COMPONENTS.....	23
FEED ADJUST COMPONENTS.....	27
DL COMPONENTS (FOR LS-2342S-7,LS-2342H-7).....	31
AUTO BT COMPONENTS (FOR LS-2342S-7,LS-2342H-7)	33
6-RANGE SW COMPONENTS.....	35
SPEED ADJUST COMPONENTS	37
THREAD TRIMMER COMPONENTS (FOR LS-2342S-7,LS-2342H-7)	39
THREAD TENSION COMPONENTS	41
TENSION RELEASE COMPONENTS	45
PNEUMATIC COMPONENTS	47
BOBBIN WINDER COMPONENTS.....	49
LUBRICATION COMPONENTS	51
THREAD STAND COMPONENTS.....	53
ACCESSORIES PARTS COMPONENTS	55
BINDER COMPONENTS (FOR LS-2342S,LS-2342H OPTIONAL PARTS).....	57
BT & DL COMPONENTS (FOR LS-2342S,LS-2342H OPTIONAL PARTS)	59
THIN CYLINDER COMPONENTS TYPE P=4 (FOR LS-2342S,LS-2342H OPTIONAL PARTS)	63
NEEDLE THREAD CLAMP COMPONENTS (LS-2342S-7,LS-2342H-7 OPTIONAL PARTS).....	65
GAUGE COMPONENTS (OPTIONAL PARTS).....	67
GREASE COMPONENTS (OPTIONAL PARTS)	69
SUSPENSION SQUARE COMPONENTS (OPTIONAL PARTS)	71
THICK THREAD SPECIFICATIONS COMPONENTS (FOR LS-2342S,LS-2342S-7 OPTIONAL PARTS)	73
LIST FOR INFORMATION OF CHANGE.....	75
HOW TO MAKE USE OF THIS PARTS LIST	76

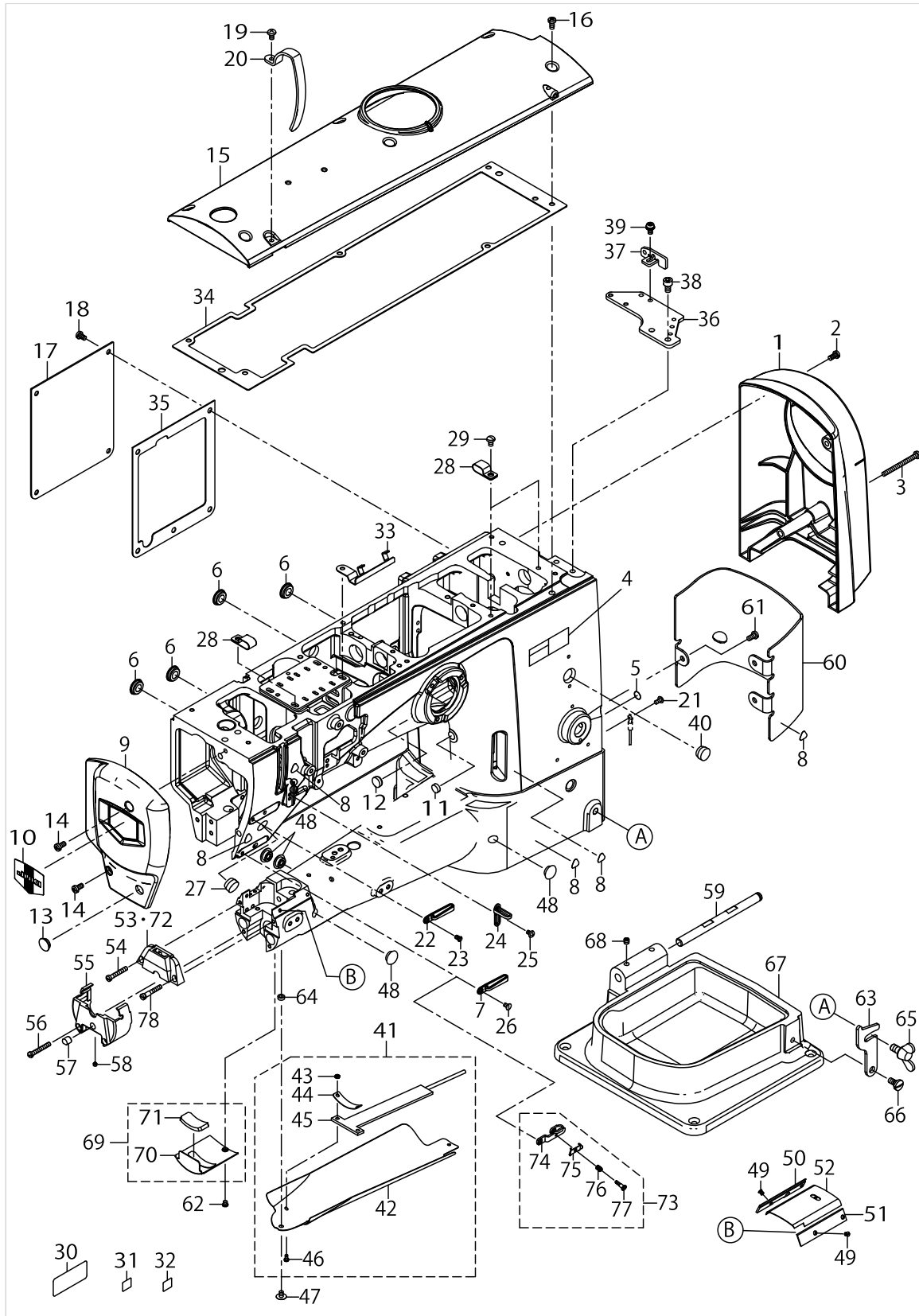
FRAME & MISCELLANEOUS COVER COMPONENTS



FRAME & MISCELLANEOUS COVER COMPONENTS

No.	Parts No.	Parts name	Remarks	Level	Cons	Qty
1	40130705	MOTOR_COVER				1
2	SM4051055SP	SCREW				2
3	SM4055501SC	SCREW M5X0.8 L=55				1
4	40102261	SAFETY_LABEL_S				1
5	22901805	GROUND MARK				1
6	TA1650406R0	PRUG				4
7	40084142	THREAD_GUIDE_LOWER	FOR LS-2342S,LS-2342H			1
8	CM300200001	ATTENTION SEAL				5
9	40130704	FACE_PLATE				1
10	22902506	FACE PLATE				1
11	TA1030402R0	RUBBER PLUG D=10.3 L=4				1
12	TA1270502R0	RUBBER PLUG				1
13	TA1250406R0	RUBBER PLUG D=12.5 L=4				1
14	SM4051055SP	SCREW				2
15	40130706	TOP_COVER				1
16	SM4051055SP	SCREW				6
17	40130703	APERTURE_COVER				1
18	SM4050855SP	SCREW				4
19	SM4050855SP	SCREW				1
20	23600505	THREAD TAKE-UP LEVER COVER				1
21	SM4040855SP	SCREW				1
22	40084142	THREAD_GUIDE_LOWER				1
23	SM1040750TP	SCREW M4 L=7				1
24	40126221	THREAD_GUIDE				1
25	SM4040655SP	SCREW M4 L=6				1
26	SM1040750TP	SCREW M4 L=7				1
27	TA1550902R0	PLUG				1
28	D2112555B00	CORD HOLDER LARGE				3
29	SM4050855SP	SCREW				2
30	40094561	SEWING MACHINE LABEL (EU)	FOR EUROPE			1
31	CM600100101	WEEE MARK LABEL S	FOR EUROPE			1
32	40150131	EAC_MARK_LABEL_S	FOR EUROPE			1
33	40134805	CABLE HOLDER				1
34	40147919	TOP_COVER_PACKING				1
35	40160160	WINDOW_PLATE_PACKING				1
36	40125872	CYLINDER_BRACKET				1
37	40112228	MOTOR_COVER_FITTING_PLATE				1
38	SM6061002TP	SCREW M6 L=10				2
39	SL4051091SC	SCREW M5X0.8 L=10				1
40	TA1550902R0	PLUG	FOR LS-2342S,LS-2342H			1
41	40160157	SYLINDER COVER ASM.				1
42	40159453	CYLINDER_COVER		*		1
43	NM6030003SC	NUT M3		*		2
44	21426903	FELT PRESSER PLATE		*		1
45	40160158	SYLINDER COVER FELT ASM.		*		1
46	SM4030601SC	SCREW M3X6		*		2
47	SS5110710SP	SCREW 11/64-40 L=7				1

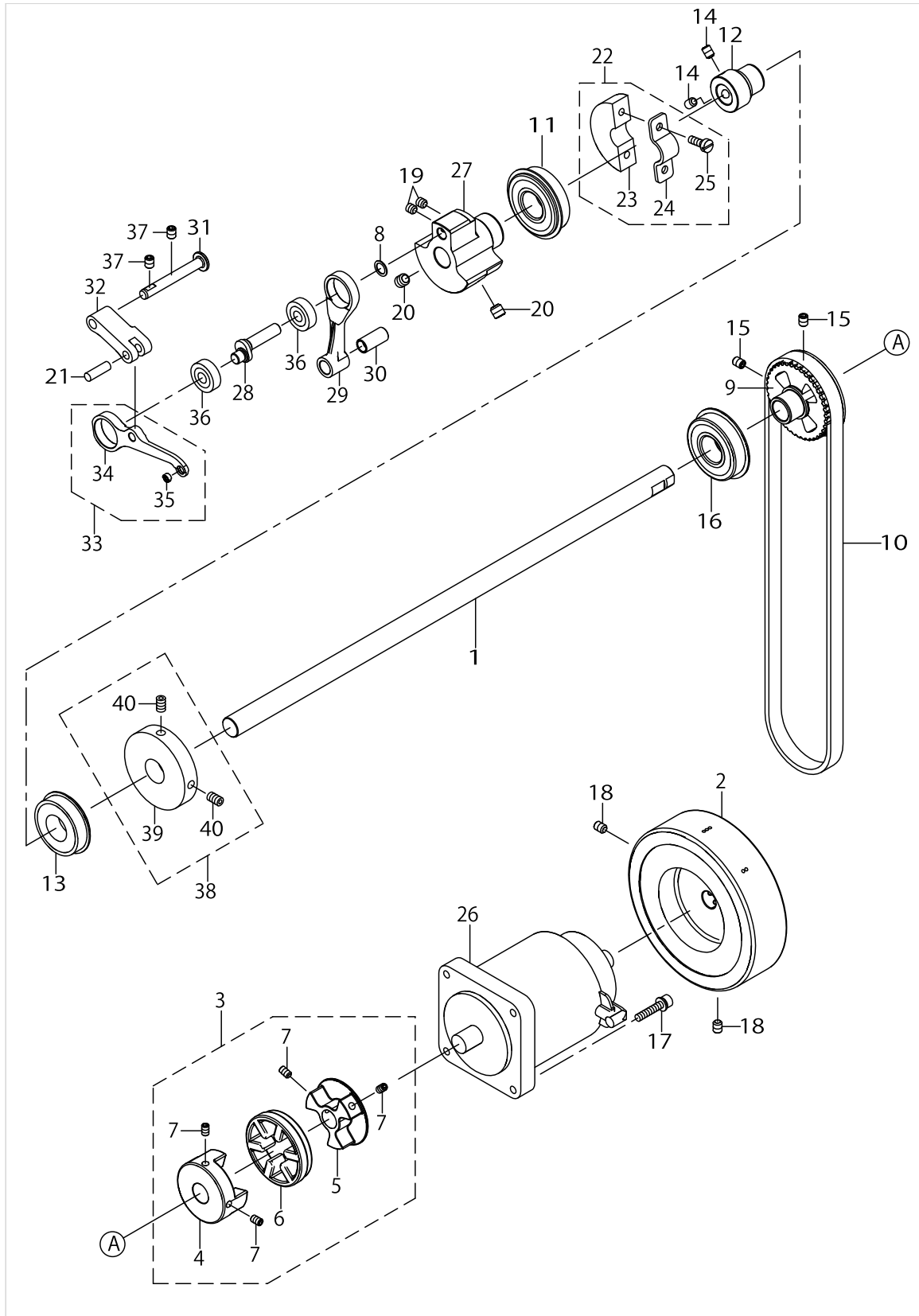
FRAME & MISCELLANEOUS COVER COMPONENTS



FRAME & MISCELLANEOUS COVER COMPONENTS

No.	Parts No.	Parts name	Remarks	Level	Cons	Qty
48	TA1250504R0	RUBBER PLUG				4
49	SS2090520SL	SCREW 9/64-40 L=5				4
50	21426606	BED SLIDE SIDE PLATE LEFT				1
51	23100506	BED SLIDE SIDE PLATE RIGHT				1
52	21220413	BED PLATE				1
53	40179197	THROAT PLATE	FOR LS-2342S,LS-2342S-7			1
54	SS7112810SP	SCREW 11/64-40 L=28				1
55	40090318	THROAT PLATE BASE				1
56	SS7113110SP	SCREW 1/64-40 L=30				2
57	40090323	FEED BASE SUPPORT				1
58	SM8040402TP	SCREW M4X0.7 L=4				1
59	40160156	BED HOLDING BASE SHAFT				1
60	40159461	BED_COVER				1
61	SM4051055SP	SCREW				3
62	SS7110410SP	SCREW 11/64-40 L=4				1
63	40163081	HOOK				1
64	B3013141H0B	WASHER				1
65	B1116246000	WING BOLT				1
66	SD0800352SP	HINGE SCREW D=8 H=3.5				1
67	40160085	BED HOLDING BASE				1
68	SM8060612TP	SCREW M6 L=6				2
69	40094671	THROAT PLATE BASE COVER ASM.				1
70	40094670	THROAT PLATE BASE COVER COMPL.		*		1
71	40095001	THROAT PLATE BASE COVER FELT		*		1
72	40179198	THROAT PLATE	FOR LS-2342H,LS-2342H-7			1
73	40034675	THREAD_GUIDE_ASM_E	FOR LS-2342S-7,LS-2342H-7			1
74	40034674	THREAD_GUIDE	FOR LS-2342S-7,LS-2342H-7	*		1
75	40042716	THREAD_PRESSER_PLATE	FOR LS-2342S-7,LS-2342H-7	*		1
76	B1132521000	THREAD PRESSER PLATE SPRING	FOR LS-2342S-7,LS-2342H-7	*		1
77	SD0380556TL	SHOULDER SCREW D=3.8 H=5.5	FOR LS-2342S-7,LS-2342H-7	*		1
78	40179210	SHOULDER SCREW				1

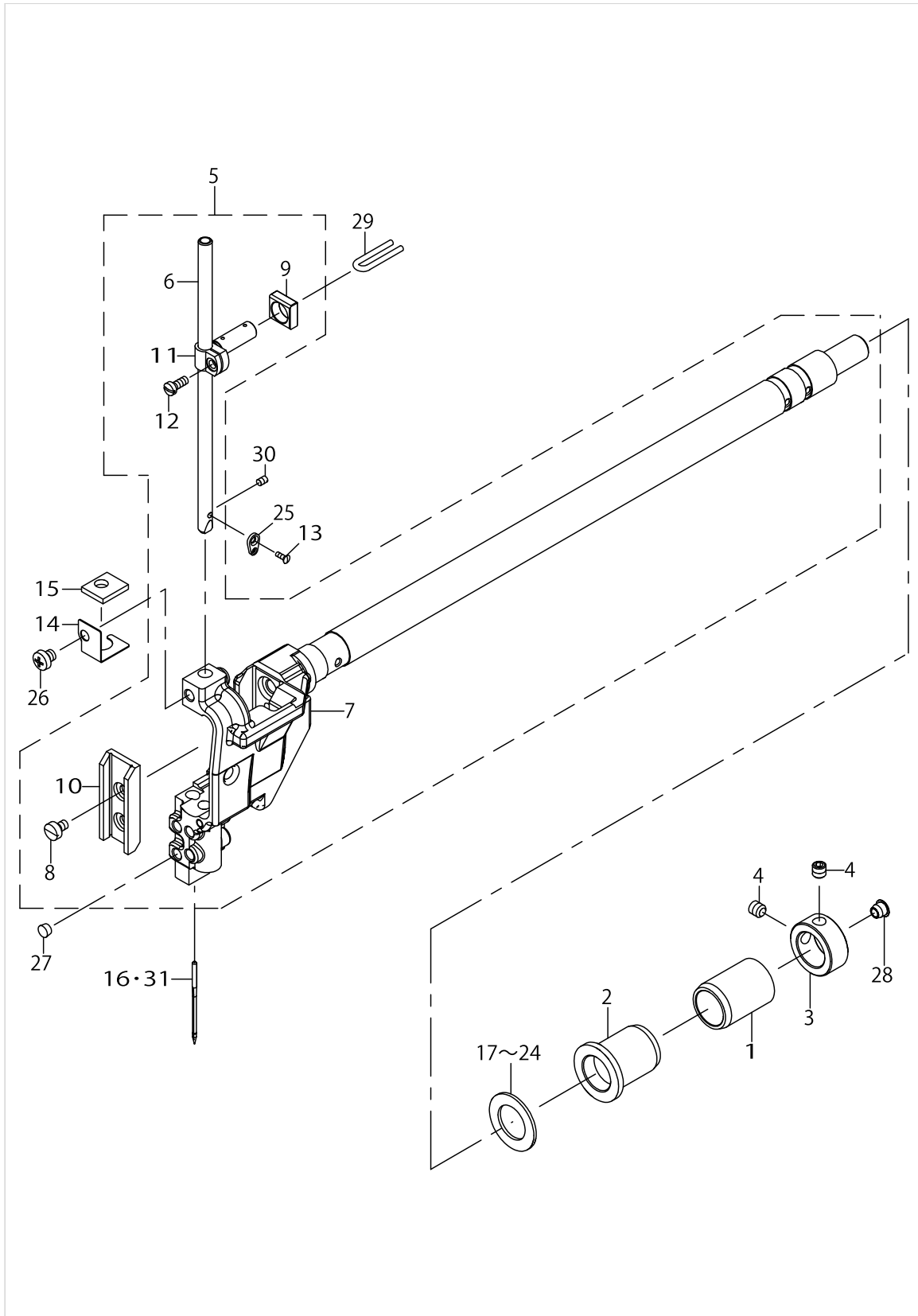
MAIN SHAFT & THREAD TAKE-UP LEVER COMPONENTS



MAIN SHAFT & THREAD TAKE-UP LEVER COMPONENTS

No.	Parts No.	Parts name	Remarks	Level	Cons	Qty
1	40112087	MAIN_SHAFT_DD				1
2	40130702	HAND_WHEEL				1
3	40112312	COUPLING_ASSY				1
4	40130277	HUB_L		*		1
5	40112106	HUB_R		*		1
6	40125950	SPIDER		*		1
7	SM8050812TP	SCREW M5X8		*		4
8	WP0820516SP	WASHER 11.6X8.2X0.6				1
9	40160403	SPROCKET UPPER				1
10	40158913	TIMING_BELT			☆	1
11	40143083	BUSHING REAR				1
12	23605207	MAIN SHAFT BEARING SUPPORT				1
13	SB120001800	BEARING				1
14	SM80608A2TP	SCREW M6 L=8				2
15	SM8060812TP	SCREW M6 L=8				2
16	SB120002700	BEARING				1
17	SL6052592TN	BOLT				4
18	SM8060812TP	SCREW M6 L=8				2
19	SM8060612TP	SCREW M6 L=6				2
20	SM8080812TP	SCREW M8X8				2
21	10721504	FEED ADJUSTING PIN				1
22	40010437	CRANK_BALANCER_ASM.				1
23	40010438	CRANK_BALANCER		*		1
24	40010439	CRANK_BALANCER_FIX_PLATE		*		1
25	40010440	CRANK_BALANCER_FIX_PLATE_SCREW		*		2
26	40126244	AC SERVO MOTOR				1
27	40112091	COUNTER_WEIGHT				1
28	40112092	NEEDLE_BAR_CRANK				1
29	40112093	NEEDLE_BAR_CRANK_ROD				1
30	40112094	CRANK_ROD_BUSH				1
31	40011902	THREAD_TAKE_UP_CRANK_SHAFT				1
32	40125930	TAKE_UP_LEVER_CRANK				1
33	40127049	THREAD_TAKE_UP_ASM.				1
34	40125939	THREAD_TAKE_UP		*		1
35	10546901	BUSH		*		1
36	SB108002400	BEARING				2
37	SM8060812TP	SCREW M6 L=8				2
38	40010533	BTW_DRIVING_WHEEL_ASM.				1
39	40010534	BTW_DRIVING_WHEEL		*		1
40	40010535	DRIVING_WHEEL_SCREW		*		2

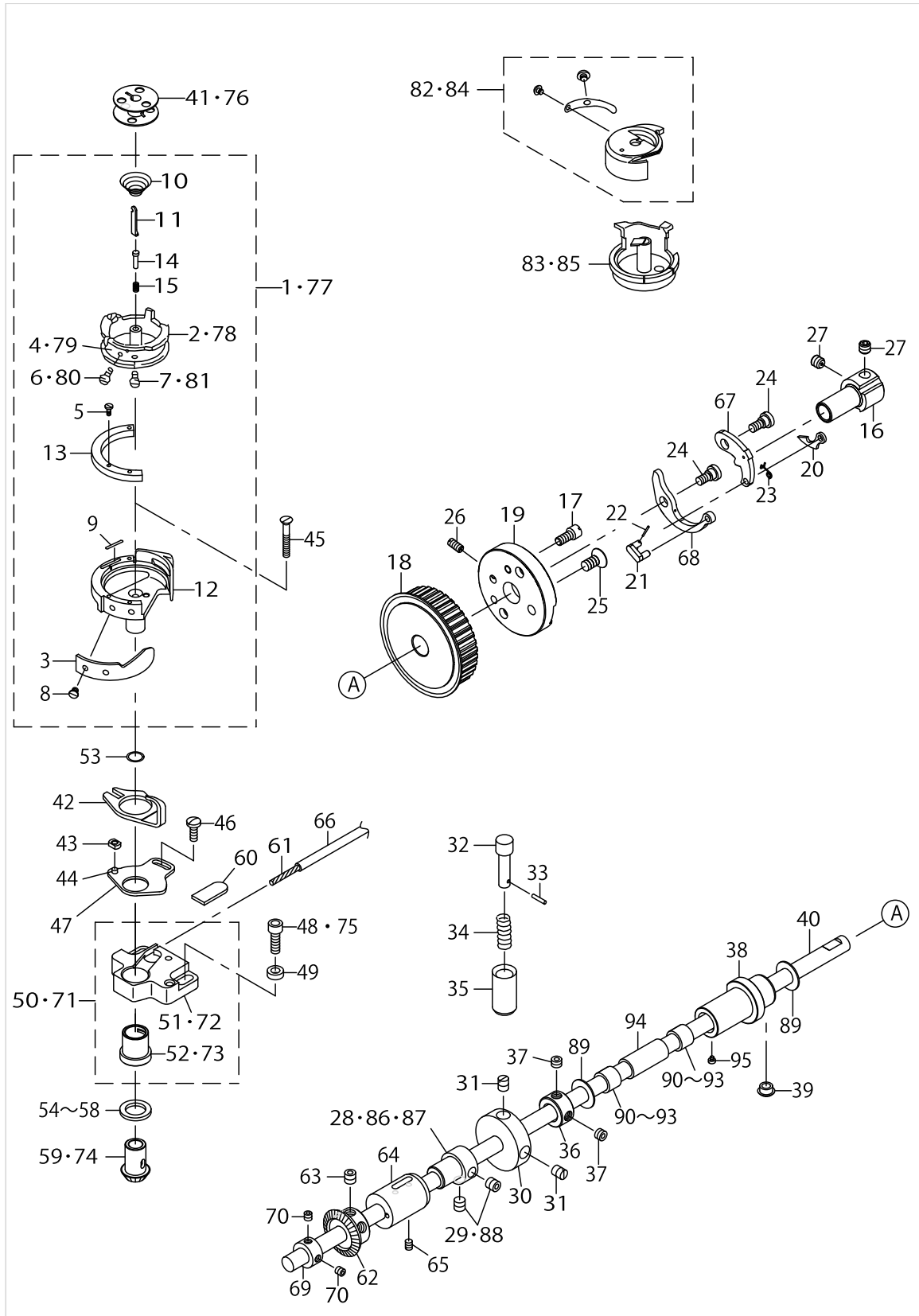
NEEDLE BAR COMPONENTS



NEEDLE BAR COMPONENTS

No.	Parts No.	Parts name	Remarks	Level	Cons	Qty
1	40010709	NF SHAFT BUSH R				1
2	40152451	BUSHING				1
3	CS1701181TP	THRUST COLLAR D=17 W=11				1
4	SM8060612TP	SCREW M6 L=6				2
5	40126402	N_B_ROCKING_BASE_ASM_2810E				1
6	40143220	NEEDLE_BAR_2810A		*		1
7	40136296	N_B_ROCKING_BASE_ASM_2810E		*		1
8	SM6040650TP	SCREW		*		2
9	40112152	NEEDLE_ROD_SQUARE_BLOCK		*		1
10	40127041	NEEDLE_BAR_GUIDE		*		1
11	40112273	NEEDLE BAR CONNECTION		*		1
12	SS7090910TP	SCREW 9/64-40 L=8.5		*		1
13	SS2060310SP	SCREW 3/32-56 L=3				1
14	40112270	FELT HOLDER				1
15	40112272	NEEDLE_BAR_FELT_E				1
16	MC321001400	NEEDLE 134-35 #140	FOR LS-2342S,LS-2342S-7		☆	1
17	B1438512B00	WASHER 17.1X28X1.5	SELECTIVE PARTS			1
18	22606206	SPACER Y	SELECTIVE PARTS			1
19	22606305	SPACER Z	SELECTIVE PARTS			1
20	22607600	SPACER A	SELECTIVE PARTS			1
21	22607709	SPACER B	SELECTIVE PARTS			1
22	22607808	SPACER D	SELECTIVE PARTS			1
23	22607907	SPACER E	SELECTIVE PARTS			1
24	22606404	SPACER F	SELECTIVE PARTS			1
25	40143221	NEEDLE_BAR_THREAD_GUIDE_2810A				1
26	SM4050501SC	SCREW M5X0.8 L=5				1
27	TA0500301R0	PLUG 5X5.8 L=3				4
28	TA0620504R0	CAP				1
29	CQ252000000	OIL WICK				0.1
30	SS8080410TP	SCREW 1/8-44 L=3.5				1
31	MC321001800	NEEDLE 134-35 #180	FOR LS-2342H,LS-2342H-7		☆	1

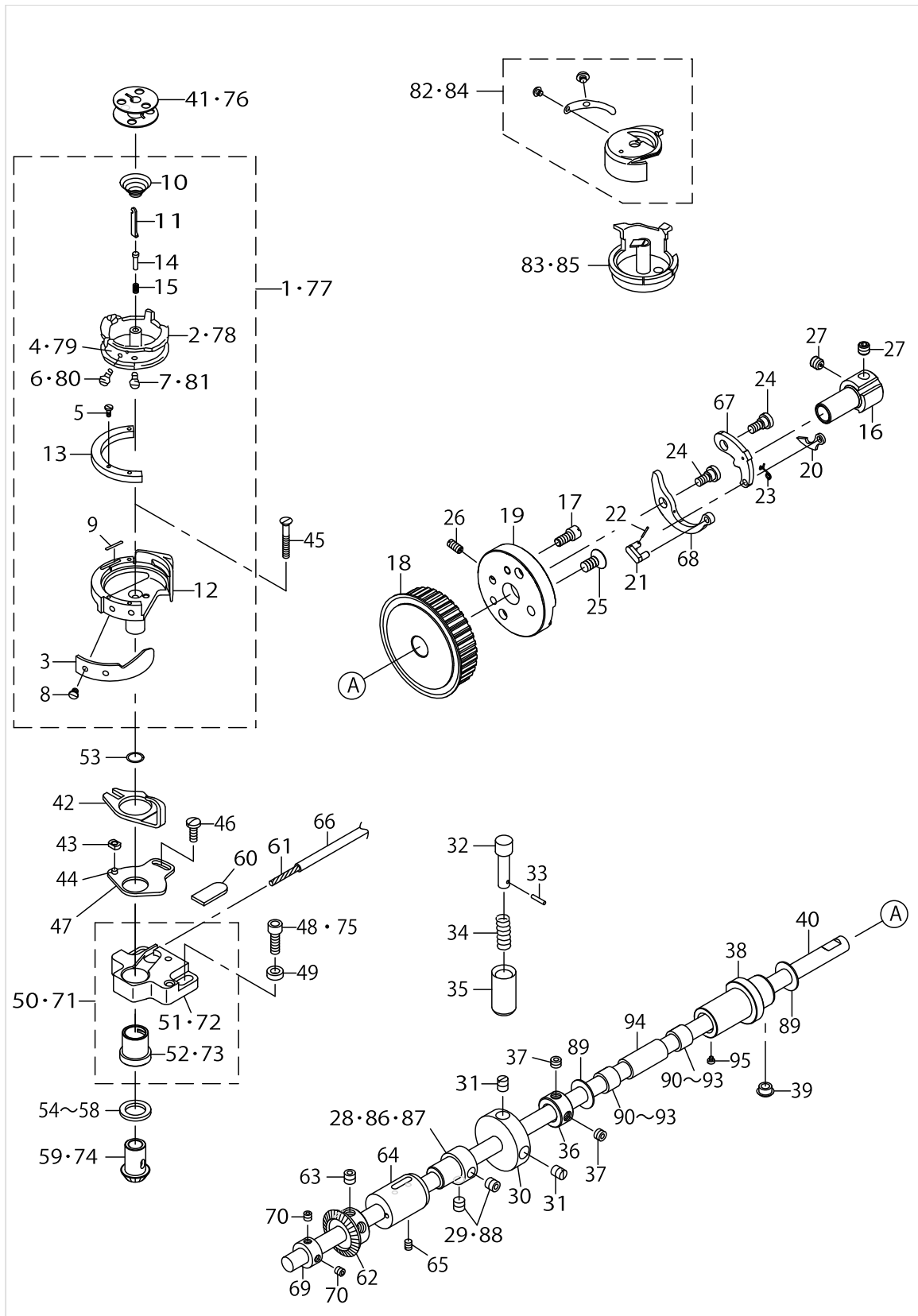
LOWER SHAFT COMPONENTS



LOWER SHAFT COMPONENTS

No.	Parts No.	Parts name	Remarks	Level	Cons	Qty
1	40161345	HOOK ASM.	FOR LS-2342S,LS-2342H			1
2	40161346	INNER HOOK	FOR LS-2342S,LS-2342H	*		1
3	40161347	NEEDLE GUARD		*		1
4	40148034	TENTION_SPRING	FOR LS-2342S,LS-2342H	*		1
5	40079904	INNER HOOK HOLDER SETSCREW		*		3
6	40148035	ADJUSTING_SCREW	FOR LS-2342S,LS-2342H	*		1
7	40148036	TENTION_SPRING_SETSCREW	FOR LS-2342S,LS-2342H	*		1
8	40079905	NEEDLE GUARD SETSCREW		*		2
9	40161353	FELT		*		1
10	40079912	IDLING PRIVENTION SPRING		*		1
11	40161356	BOBBIN PRESSER		*		1
12	40161354	OUTER HOOK		*		1
13	40161355	INNER HOOK PRESSER		*		1
14	40079902	PRESSER LIFTER		*		1
15	40079903	PRESSER LIFTER SPRING		*		1
16	21387808	SAFETY BASE				1
17	21387907	ADJUSTING PIN (1.2)				1
18	40160404	LOWER SHAFT SPROCKET				1
19	40161864	CLUTCH BASE				1
20	B1308055000	SAFETY CLUTCH COUNTER-HOOK				1
21	B1310055000	SAFETY CLUTCH SMALL LINK				1
22	B1314055000	SAFETY CLUTCH SMALL LINK PIN				1
23	40113224	COUNTER HOOK SPRING				1
24	SD0640322TP	HINGE SCREW D=6.35 H=3.2				2
25	SM1061201SN	SCREW M6 L=12				2
26	SS8111010TP	SCREW 11/64-40 L=9.5				1
27	SS8660612TP	SCREW 1/4-40 L=6				2
28	21429402	FEED DRIVING CAM (0.6)	FOR LS-2342S,LS-2342S-7			1
29	SS8660612TP	SCREW 1/4-40 L=6	FOR LS-2342S,LS-2342S-7			2
30	B1301340000	SAFETY CLUTCH DISK				1
31	SS8150710TP	SCREW 15/64-28 L=7				2
32	21223409	SAFETY CLUTCH PUSH BUTTON				1
33	PS0200102KH	SPRING PIN 2.0X10				1
34	B1639051000	SPRING				1
35	21223508	PUSH BUTTON CYLINDER				1
36	23102700	LOWER SHAFT THRUST HOLDER				1
37	SS8150432TH	SCREW 15/64-28 L=4				2
38	40178025	LOWER SHAFT METAL				1
39	TA0750404R0	PLUG D=7.5 L=3.5				1
40	40159231	LOWER SHAFT				1
41	B9117201000	BOBBIN	FOR LS-2342S,LS-2342H			1
42	40179232	OPENER				1
43	40161361	SLIDE BLOCK				1
44	40161362	SLIDE BLOCK PIN				1
45	SS1092810SP	SCREW 9/64-40 L=25.4				1
46	SS7091110TP	SCREW 9/64-40 L=10.5				1
47	40163082	OPENER ADJUSTING PLATE				1

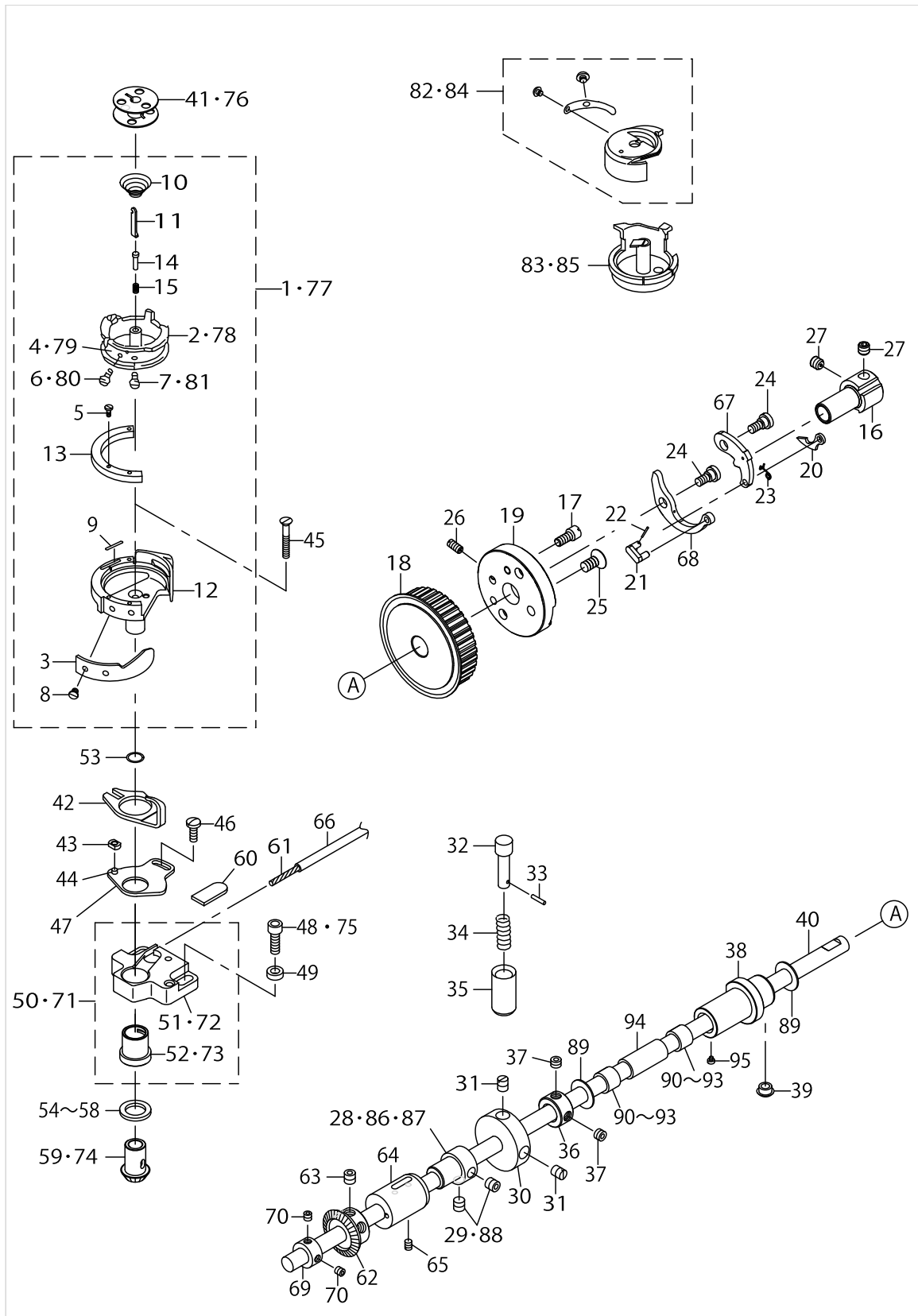
LOWER SHAFT COMPONENTS



LOWER SHAFT COMPONENTS

No.	Parts No.	Parts name	Remarks	Level	Cons	Qty
48	SM6051552TP	SCREW M5 L=15	FOR LS-2342S,LS-2342H			2
49	40090530	WASHER				2
50	40029253	HOOK SHAFT BASE ASM.	FOR LS-2342S,LS-2342H			1
51	40029250	HOOK SHAFT BASE	FOR LS-2342S,LS-2342H	*		1
52	40029246	HOOK SHAFT METAL	FOR LS-2342S,LS-2342H	*		1
53	GAW01507000	SPACER				1
54	40160476	WASHER A	SELECTIVE PARTS			1
55	40160477	WASHER B	SELECTIVE PARTS			1
56	40160478	WASHER C	SELECTIVE PARTS			1
57	40160479	WASHER D	SELECTIVE PARTS			1
58	B1820246000	WASHER	SELECTIVE PARTS			1
59	21227301	HOOK SHAFT GEAR	FOR LS-2342S,LS-2342H			1
60	21431200	HOOK SHAFT LUBRICATION FELT				1
61	CQ202000000	OIL WICK				0.15
62	B1836246000A	LOWER SHAFT BEVEL GEAR				1
63	SS8660612TP	SCREW 1/4-40 L=6				3
64	B1803246000	BUSHING INTERMEDIATE				1
65	SS8110410TP	SCREW 11/64-40 L=3.5				1
66	BT0500300EA	OIL TUBE				0.05
67	21387600	SAFETY CLUTCH HOOK				1
68	21387709	SAFETY CLUTCH SPRING				1
69	40161501	THRUST COLLAR				1
70	SS8110422TP	SCREW 11/64-40 L=4				2
71	40091908	HOOK SHAFT BASE(FOR THREAD TRIMMER)ASM.	FOR LS-2342S-7,LS-2342H-7			1
72	40091899	HOOK SHAFT BASE(FOR THREAD TRIMMER)	FOR LS-2342S-7,LS-2342H-7	*		1
73	40029248	HOOK SHAFT METAL(FOR THREAD TRIMMER)	FOR LS-2342S-7,LS-2342H-7	*		1
74	23102205	HOOK SHAFT BEVEL GEAR	FOR LS-2342S-7,LS-2342H-7			1
75	SM6051202TP	SCREW M5X0.8 L=12	FOR LS-2342S-7,LS-2342H-7			2
76	10759603	ALUMINUM BOBBIN (DOUBLE-CUT)	FOR LS-2342S-7,LS-2342H-7			1
77	40162678	THREAD TRIMMER LATCH HOOK ASM.	FOR LS-2342S-7,LS-2342H-7			1
78	40162679	INNER HOOK	FOR LS-2342S-7,LS-2342H-7	*		1
79	40079898	TENTION SPRING	FOR LS-2342S-7,LS-2342H-7	*		1
80	40079899	ADJUSTING SCREW	FOR LS-2342S-7,LS-2342H-7	*		1
81	40079900	TENTION SPRING SETSCREW	FOR LS-2342S-7,LS-2342H-7	*		1
82	40163502	CAP	FOR LS-2342S-7,LS-2342H-7 (OPTIONAL PARTS)			1
83	40163499	INNER HOOK	FOR LS-2342S,LS-2342H (OPTIONAL PARTS)			1
84	40163500	CAP	FOR LS-2342S,LS-2342H (OPTIONAL PARTS)			1
85	40163501	INNER HOOK	FOR LS-2342S-7,LS-2342H-7 (OPTIONAL PARTS)			1
86	40092359	VERTICAL FEED TRIANGLE CAM	FOR LS-2342H			1
87	21429907	FEED VERTICAL TRIANGULAR CAM	FOR LS-2342H-7			1
88	SS8150822TP	SCREW 15/64-28 L=8	FOR LS-2342H,LS-2342H-7			2
89	40178026	WASHER				2
90	SB30953010A	BEARING	SELECTIVE PARTS			2
91	SB30953010B	BEARING	SELECTIVE PARTS			2
92	SB30953010C	BEARING	SELECTIVE PARTS			2
93	SB30953010D	BEARING	SELECTIVE PARTS			2

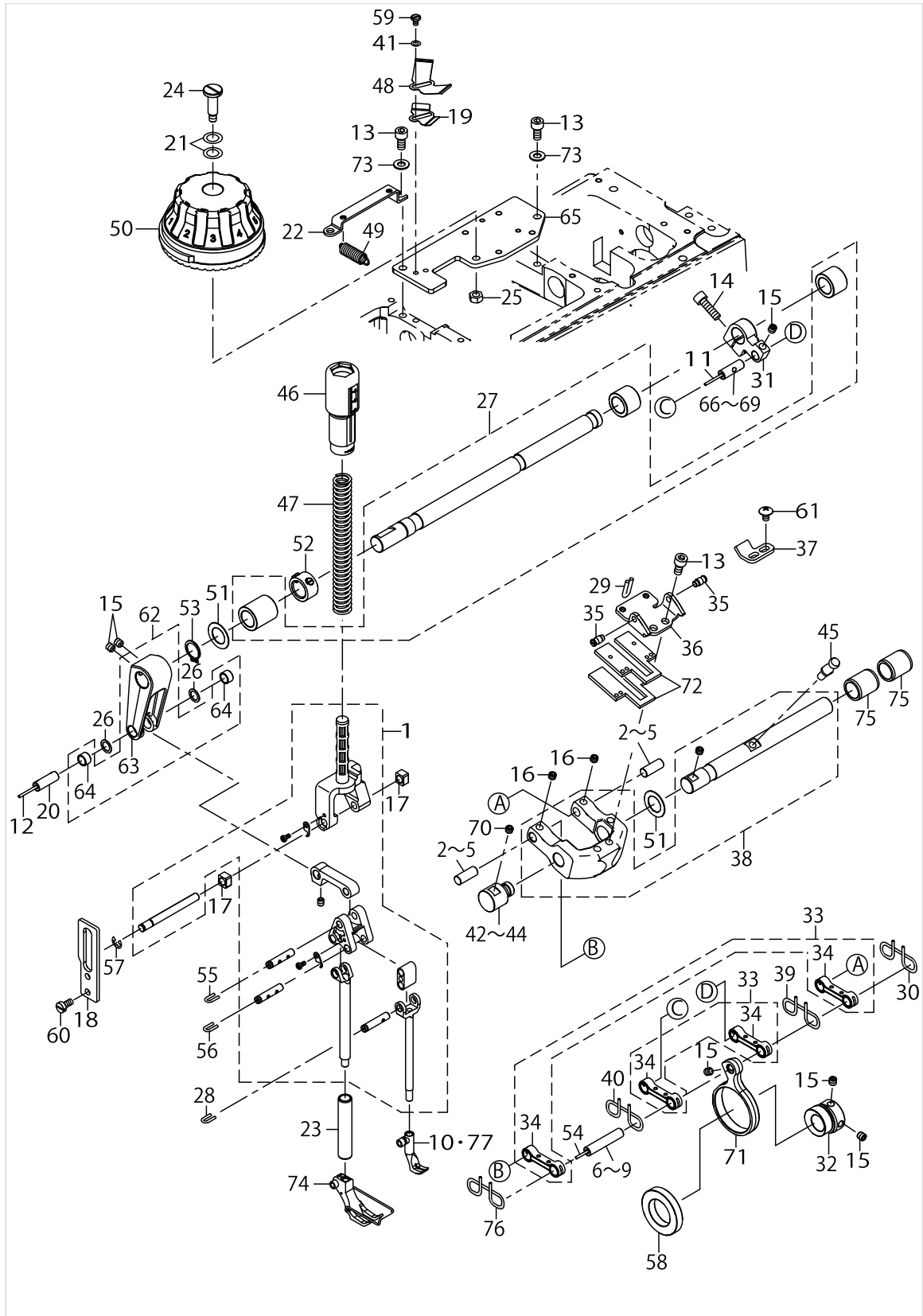
LOWER SHAFT COMPONENTS



LOWER SHAFT COMPONENTS

No.	Parts No.	Parts name	Remarks	Level	Cons	Qty
94	40179196	COLLAR				1
95	SM6020250TP	SCREW				1

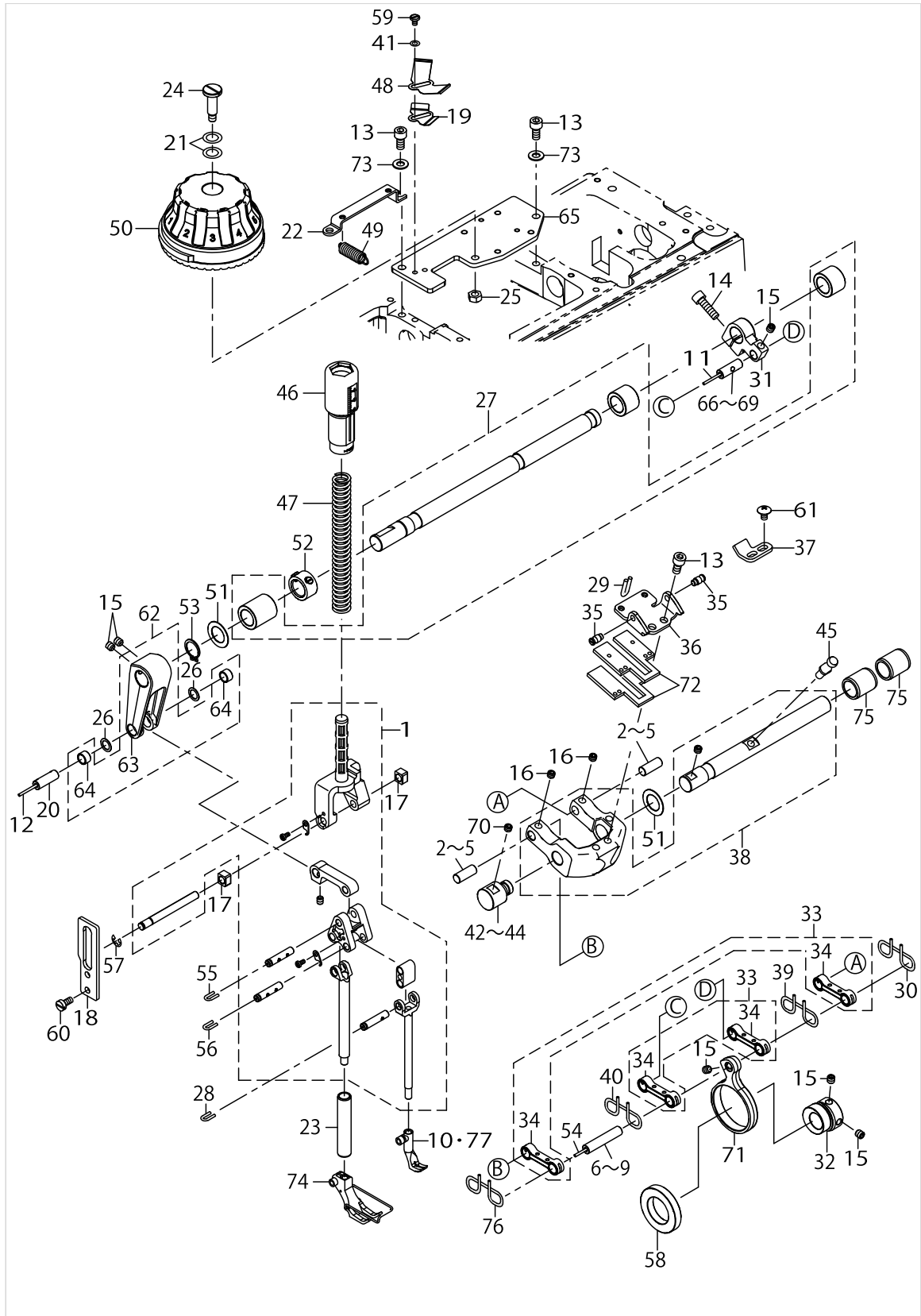
UPPER FEED COMPONENTS



UPPER FEED COMPONENTS

No.	Parts No.	Parts name	Remarks	Level	Cons	Qty
1	40144289	UPPER_FEED F ASM_E				1
2	40149120	FEED_ADJUSTING_PIN_A	SELECTIVE PARTS			2
3	40149121	FEED_ADJUSTING_PIN_B	SELECTIVE PARTS			2
4	40149122	FEED_ADJUSTING_PIN_C	SELECTIVE PARTS			2
5	40149123	FEED_ADJUSTING_PIN_D	SELECTIVE PARTS			2
6	40149125	FEED_ROD_PIN_A	SELECTIVE PARTS			1
7	40149126	FEED_ROD_PIN_B	SELECTIVE PARTS			1
8	40149127	FEED_ROD_PIN_C	SELECTIVE PARTS			1
9	40149128	FEED_ROD_PIN_D	SELECTIVE PARTS			1
10	10711653	FEED FOOT ASM.	FOR LS-2342S			1
11	CQ202000000	OIL WICK				0.02
12	CQ202000000	OIL WICK				0.02
13	SM6061202TP	SCREW M6 L=12				5
14	SM6062002TP	SCREW M6 L=20				1
15	SM8060612TP	SCREW M6 L=6				6
16	SM8060552TP	SCREW M6 L=5				2
17	40090058	SLIDE BLOCK				2
18	40125943	PRESSER ROD GUIDE				1
19	40154199	LEAF_SPRING_ADJSTING_PLATE				1
20	40123634	ROCKING_LINK_PIN				1
21	40023627	PRESSER PLATE SHEET WASHER				2
22	40125867	SPRING_HOOK				1
23	40135014	BUSHING				1
24	SD0802126TP	SHOULDER SCREW D=8 H=21.2				1
25	NM6060001SD	NUT M6				1
26	E2613700000	WASHER				2
27	40123319	UPPER_FEED_SHAFT_ASM.				1
28	CQ252000000	OIL WICK				0.048
29	CQ202000000	OIL WICK				0.1
30	CQ202000000	OIL WICK				0.25
31	40126160	UPPER_FEED_REAR_ARM				1
32	40126390	UPPER_FEED_CAM				1
33	40126338	CONNECTION_LINK_ASM.				2
34	40126223	CONNECTION_LINK		*		2
35	40038494	THREAD_BIND_ARM_SPRING RACK				2
36	40126269	CHANGE_BASE_SPRING_RACK				1
37	40126264	CHANGE_BASE_STOPPER				1
38	40123416	UPPER_FEED_CHANGE_BASE_ASM.				1
39	CQ202000000	OIL WICK				0.25
40	CQ202000000	OIL WICK				0.25
41	WP0430800SD	WASHER M4				4
42	40145548	UF_CHANGE_BASE_SUPPORT_PIN	SELECTIVE PARTS			1
43	40145549	UF_CHANGE_BASE_SUPPORT_PIN	SELECTIVE PARTS			1
44	40145550	UF_CHANGE_BASE_SUPPORT_PIN	SELECTIVE PARTS			1
45	40126374	VERTICAL_ADJUSTING_PIN				1
46	40125926	PRESSER_ADJUSTING_SCREW				1
47	40112197	PRESSER_SPRING			☆	1

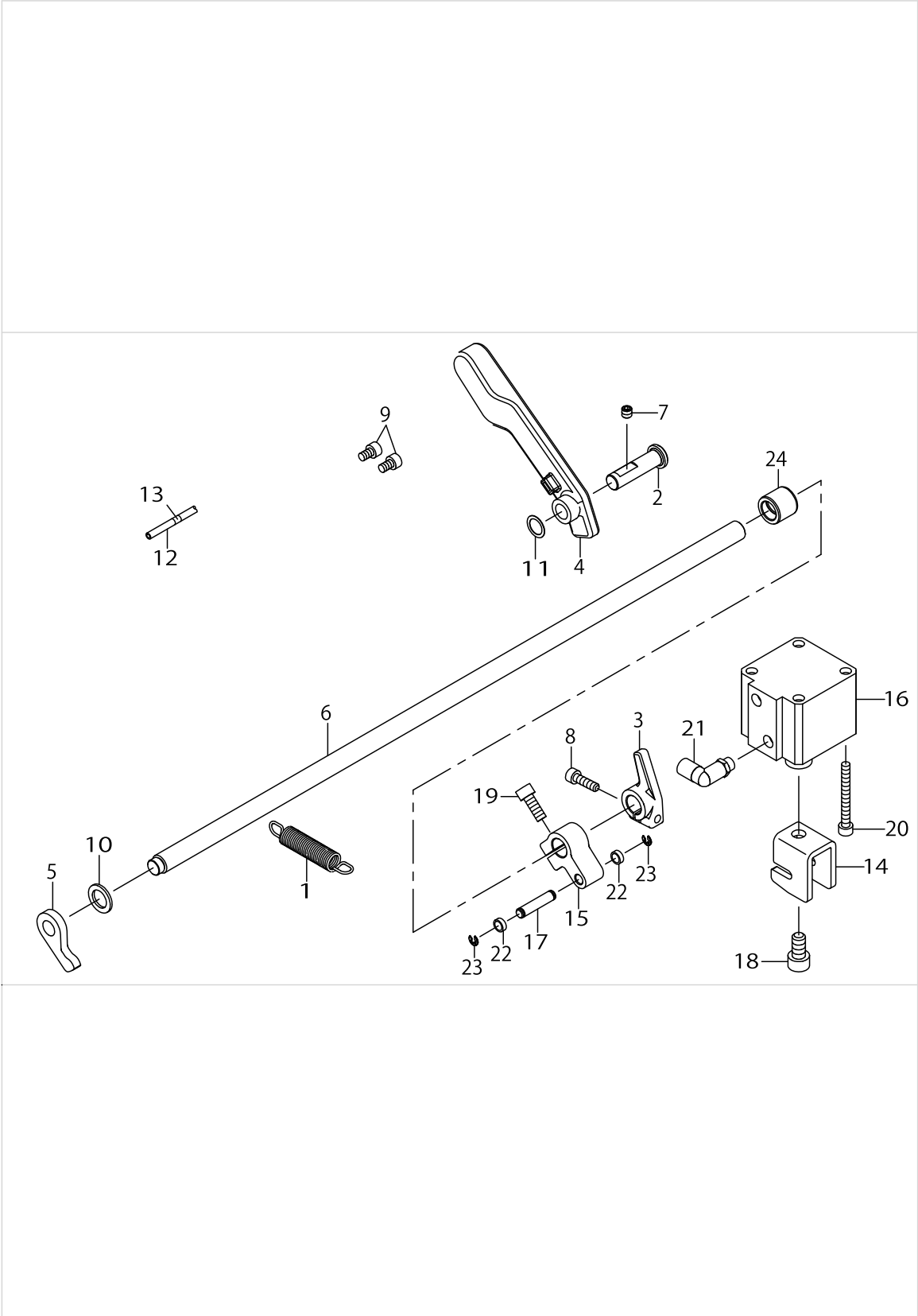
UPPER FEED COMPONENTS



UPPER FEED COMPONENTS

No.	Parts No.	Parts name	Remarks	Level	Cons	Qty
48	40112199	LEAF_SPRING				1
49	40126400	SPRING				2
50	40125850	VERTICAL_DIAL(VE)				1
51	D1231555B00	WASHER				2
52	22904155	MAIN SHAFT THRUST COLLAR ASM.				1
53	RC0150001KP	RETAINING RING 13.8				1
54	CQ202000000	OIL WICK				0.042
55	CQ252000000	OIL WICK				0.048
56	CQ252000000	OIL WICK				0.048
57	RE0500000K0	E-RING				1
58	SB125000600	BEARING				1
59	SM6040650TP	SCREW				2
60	SM6051000SP	SCREW				2
61	SM0050801SC	SCREW				2
62	40126159	UPPER_FEED_FRONT_ARM_ASM.				1
63	40126157	UPPER_FEED_FRONT_ARM		*		1
64	40126158	UPPER_FEED_FRONT_ARM_BUSH		*		2
65	40125868	INSTALLING_PLATE				1
66	40149115	ROCKING_LINK_PIN_A	SELECTIVE PARTS			1
67	40149116	ROCKING_LINK_PIN_B	SELECTIVE PARTS			1
68	40149117	ROCKING_LINK_PIN_C	SELECTIVE PARTS			1
69	40149118	ROCKING_LINK_PIN_D	SELECTIVE PARTS			1
70	SM80608A2TP	SCREW M6 L=8				1
71	40125876	UPPER_FEED_CAM_ROD				1
72	40123345	FELT				2
73	WP0651001SC	WASHER				2
74	10758456	PRESSER FOOT ASM.				1
75	22913008	FEED ROCKER SHAFT BUSHING				2
76	CQ202000000	OIL WICK				0.25
77	10712354	FEED FOOT ASM.	FOR LS-2342H,LS-2342H-7, LS-2342S-7			1

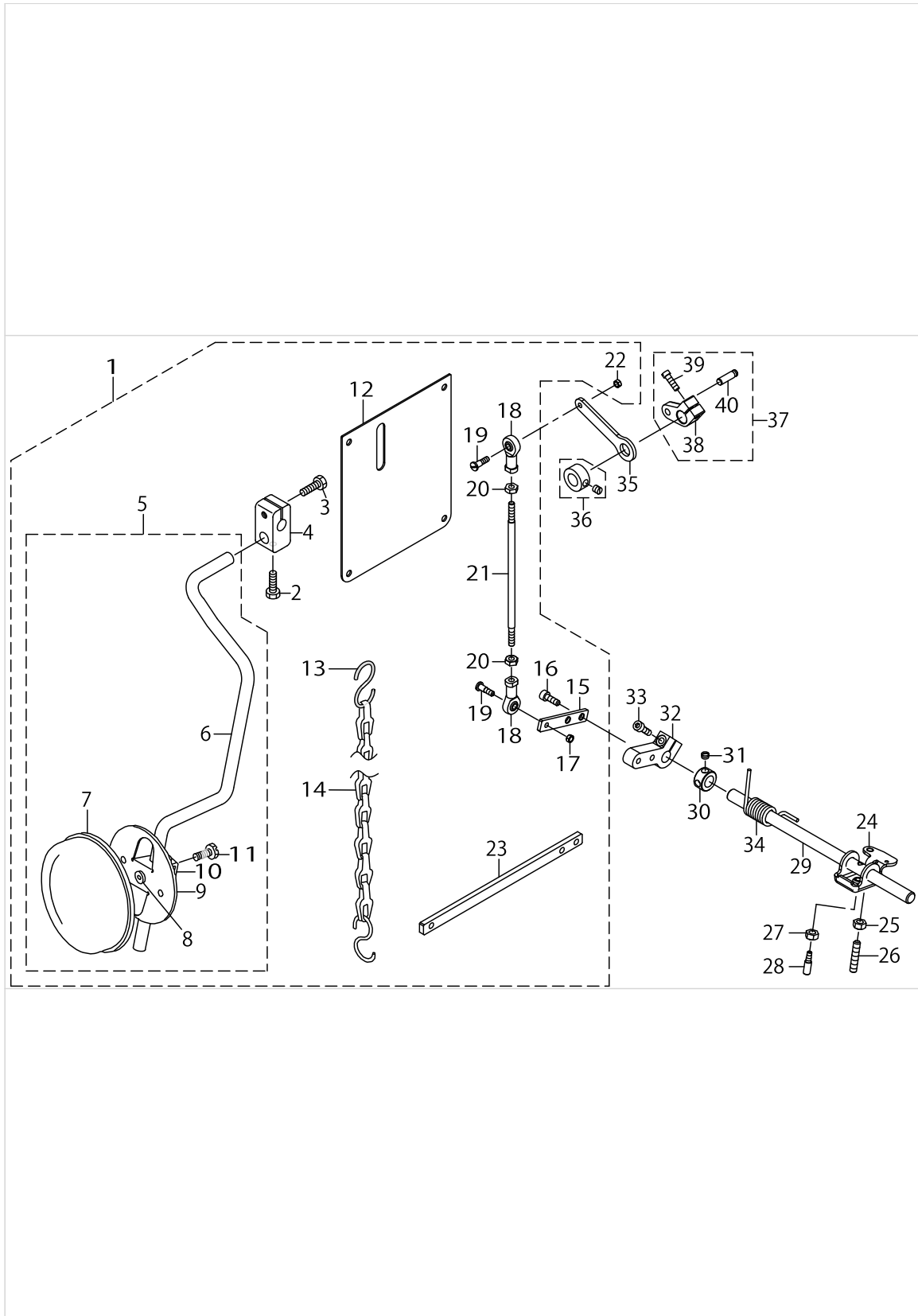
HAND LIFTER & AUTO LIFTER COMPONENTS



HAND LIFTER & AUTO LIFTER COMPONENTS

No.	Parts No.	Parts name	Remarks	Level	Cons	Qty
1	40126367	SPRING				1
2	40006716	THREAD_TRIMMER_SHAFT				1
3	40112184	LIFTER_LEVER_A				1
4	40126150	LIFTER_LEVER_B				1
5	40144283	LIFTER PLATE				1
6	40126364	LIFTER_SHAFT				1
7	SM8060612TP	SCREW M6 L=6				1
8	SM6051802TP	SCREW M5 L=18				1
9	SM6050802TP	SCREW M5X0.8 L=8				2
10	13409107	WASHER				1
11	WZ1052010KP	WAVED WASHER				1
12	BT0400251EB	URETHANE HOSE BLACK				0.53
13	18035303	WIRE MARK (4)				1
14	40112187	KNUCKLE_JOINT_A				1
15	40112188	LIFTING_ARM				1
16	PA400150200	AIR CYLINDER				1
17	22949101	ROLLER FULCRUM SHAFT				1
18	SM6081552TP	SCREW M8 L=15				1
19	SM6061602TP	SCREW M6 L=16				1
20	SM6054502TN	SCREW M5 L=45				4
21	PJ304045102	ELBOW UNION C				1
22	13951009	PRESSER FOOT ROLLER				2
23	RE0400000K0	E-RING 4				2
24	40086018	BUSHING_MAIN_FEED				1

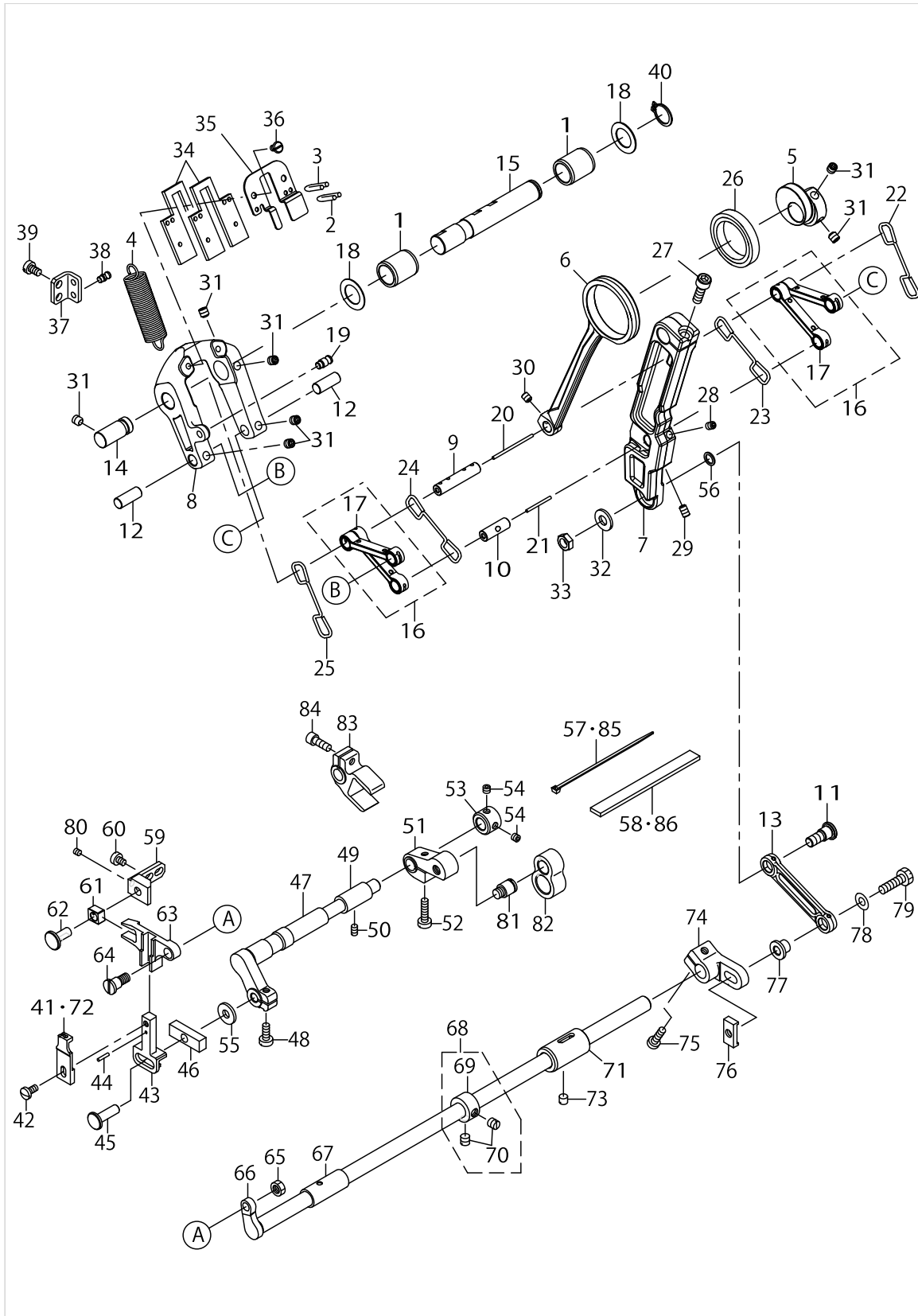
KNEE LIFTER COMPONENTS



KNEE LIFTER COMPONENTS

No.	Parts No.	Parts name	Remarks	Level	Cons	Qty
1	40203683	KNEE LIFTER KIT				1
2	SM9061613SC	SCREW M6 L=16		*		1
3	22934707	SCREW		*		1
4	22932404	BRACKET		*		1
5	21433354	KNEE PRESS PLATE ASM.		*		1
6	21433305	KNEE PRESS LEVER		*		1
7	22934509	KNEE PAD PLATE COVER		*		1
8	22934400	KNEE PAD PLATE RUBBER		*		1
9	22934202	KNEE PAD PLATE		*		1
10	22934301	KNEE PAD PLATE SUPPORT		*		1
11	SM9061203SE	SCREW M6 L=12		*		1
12	40158925	APERTURE_COVER		*		1
13	13160304	S SHAPED HOOK		*		2
14	B8131019000	CHAIN		*		1
15	40158784	PRESSER LIFTER PLATE		*		1
16	SM6051552TP	SCREW M5 L=15		*		2
17	NS6110310SP	NUT 11/64-40		*		1
18	40136701	ROD_END		*		2
19	SD0500701TP	SHOULDER SCREW		*		2
20	NM6050001SD	NUT M5X0.8		*		2
21	40158783	KNEE LIFTER CONNECTING ROD		*		1
22	NS6110310SP	NUT 11/64-40		*		1
23	21433503	PRESSER LIFTER PLATE		*		1
24	40160259	KNEE_LIFTING_ROTATING_ARM				1
25	NM6060001SE	NUT M6				1
26	SM8063012TR	SCREW M6 L=30				1
27	NM6060001SE	NUT M6				1
28	40101720	SCREW_M6				1
29	40158782	KNEE_LIFTER_SHAFT				1
30	40160552	THRUST COLLAR				1
31	SS8660530TP	SCREW 1/4-40 L=4.5				2
32	21433404	PRESSER LIFTER ARM				1
33	SM6051602TP	SCREW M5X0.8 L=16				1
34	40161502	KNEE_LIFTER_SPRING				1
35	40158786	KNEE_PAD_LINK				1
36	CS1201010SH	THRUST COLLAR ASM. D=12 W=10				1
37	23613953	FEED LEVER ARM ASM.				1
38	23613904	FEED LEVER ARM		*		1
39	SS6121610TP	SCREW 3/16-28 L=15.5		*		1
40	22912307	PIN		*		1

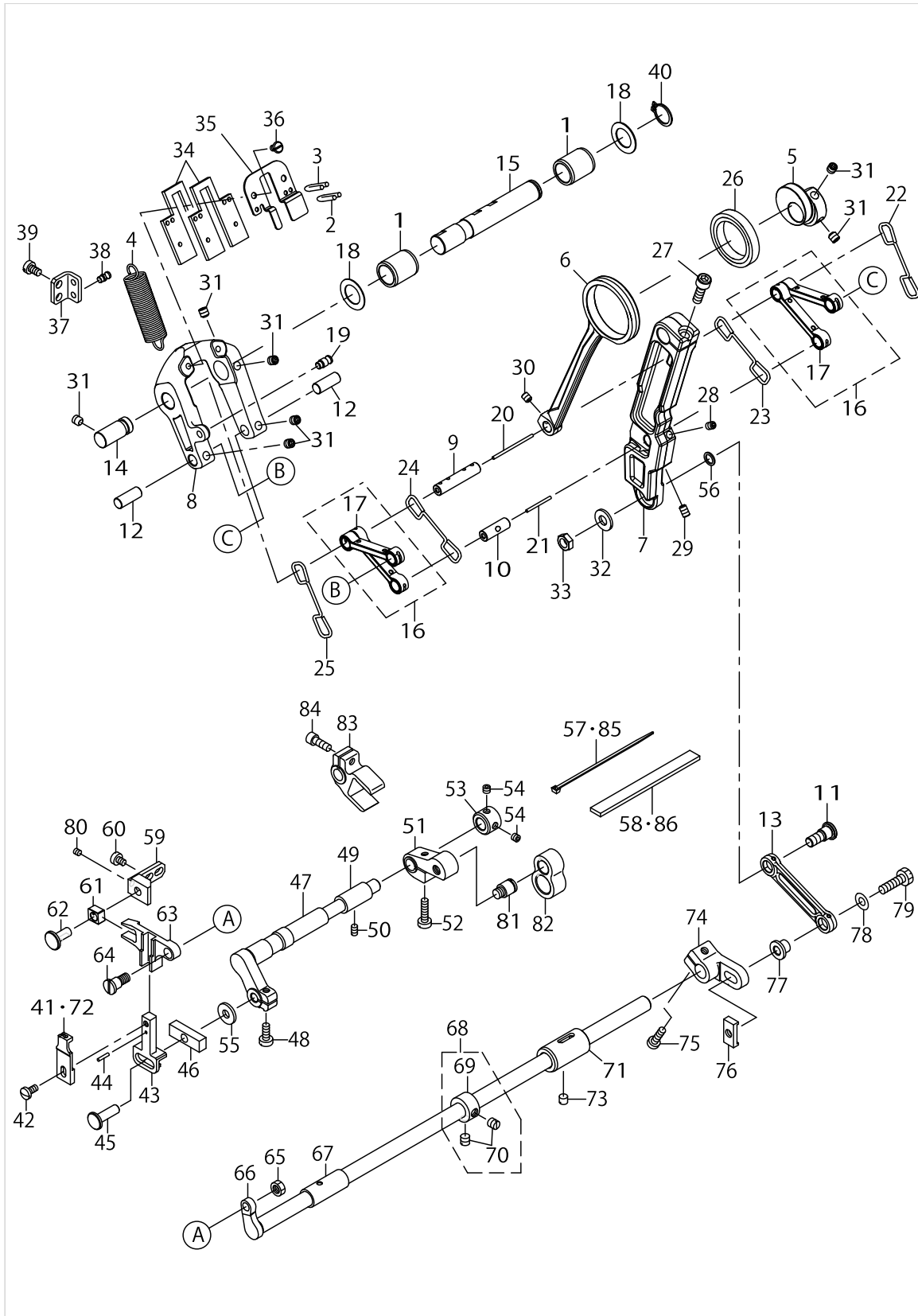
LOWER FEED COMPONENTS



LOWER FEED COMPONENTS

No.	Parts No.	Parts name	Remarks	Level	Cons	Qty
1	22913008	FEED ROCKER SHAFT BUSHING				2
2	CQ202000000	OIL WICK				0.05
3	CQ202000000	OIL WICK				0.05
4	40126401	SPRING_B				1
5	40123626	HORIZONTAL_FEED_CAM				1
6	40126151	HORIZONTAL_FEED_ROD				1
7	40123547	NEEDLE_BAR_ROCKING_LINK				1
8	40123629	HORIZONTAL_FEED_CHANGE_BASE				1
9	40112118	FEED_ROD_PIN				1
10	40123634	ROCKING_LINK_PIN				1
11	SD0900701TP	HINGE SCREW D=9 H=7				1
12	40126375	FEED_ADJUSTING_PIN_A				2
13	40158785	CONNECTING LINK				1
14	40123639	HF_CHANGE_BASE_SUPPORT_PIN				1
15	40123332	CHANGE_BASE_SHAFT				1
16	40126339	CONNECTION_LINK_ASM.				2
17	40123252	CONNECTION_LINK		*		2
18	D1231555B00	WASHER				2
19	40038494	THREAD_BIND_ARM_SPRING RACK				1
20	CQ202000000	OIL WICK				0.042
21	CQ202000000	OIL WICK				0.02
22	CQ202000000	OIL WICK				0.3
23	CQ202000000	OIL WICK				0.3
24	CQ202000000	OIL WICK				0.3
25	CQ202000000	OIL WICK				0.3
26	SB130000200	BEARING				1
27	SM6061802TP	SCREW M6 L=18				1
28	SM8050842TP	SETSCREW				1
29	SM8050812TP	SCREW M5X8				1
30	SM8050612TP	SCREW M5X6				1
31	SM8060612TP	SCREW M6 L=6				7
32	26018705	WASHER				1
33	NS6680410SP	NUT 9/32-28				1
34	40123345	FELT				2
35	40123346	FELT HOLDER				1
36	SM6040650TP	SCREW				2
37	12288908	THROAT PLATE BASE B SUPPORT				1
38	26017400	SPRING RAC				1
39	SM6050800SP	SCREW M5 L=8				2
40	RC0150001KP	RETAINING RING 13.8				1
41	40161453	FEED_DOG	FOR LS-2342S,LS-2342S-7			1
42	SS7110840SP	SCREW 11/64-40 L=7.8				1
43	40162682	FEED BASE				1
44	PS0200102KH	SPRING PIN 2.0X10				1
45	40091250	FEED BASE PIN				1
46	40091254	FEED BASE SQUARE BLOCK				1
47	21429006	VERTICAL FEED SHAFT				1

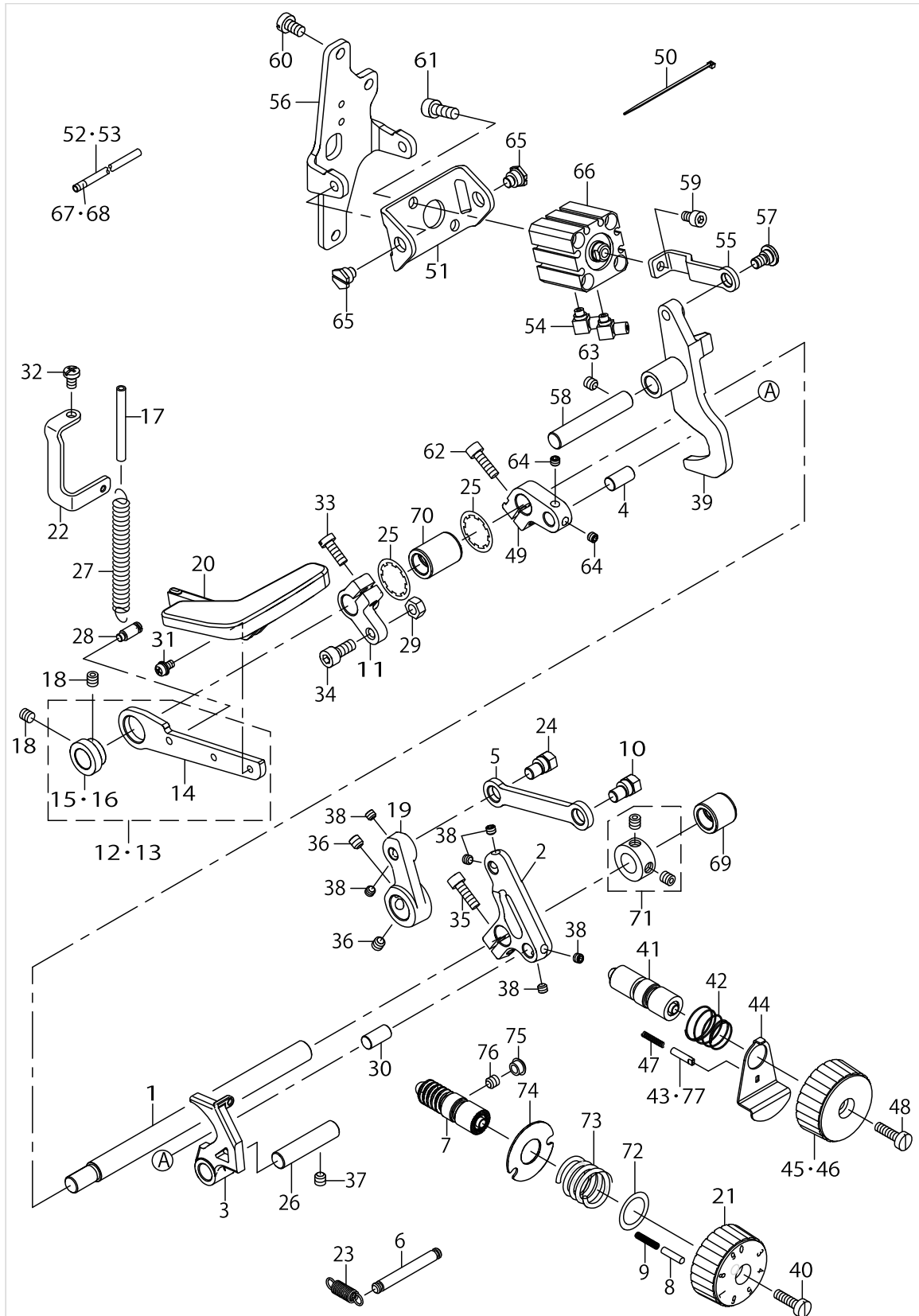
LOWER FEED COMPONENTS



LOWER FEED COMPONENTS

No.	Parts No.	Parts name	Remarks	Level	Cons	Qty
48	SS6121220TP	SCREW 3/16-28 L=11.5				1
49	40091315	VERTICAL FEED SHAFT METAL				1
50	SS8110710SP	SCREW 11/64-40 L=6.5				1
51	21429105	VERTICAL FEED ARM	FOR LS-2342S,LS-2342S-7			1
52	SS6121850TP	SCREW 3/16-28 L=18	FOR LS-2342S,LS-2342S-7			1
53	21429709	VERTICAL FEED THRUST COLLAR				1
54	SM8050402TP	SCREW				2
55	40090727	WASHER				1
56	10746709	WASHER				1
57	A407855000A	CLIP BAND	FOR LS-2342S,LS-2342S-7			1
58	21429600	VERTICAL FEED ROD FELT	FOR LS-2342S,LS-2342S-7			1
59	40163496	HORIZONTAL FEED BASE SUPPORT				1
60	SS6110610TP	SCREW 11/64-40 L=6				2
61	40159234	SQUARE BLOCK				1
62	40091245	HORIZONTAL FEED BASE SUPPORT PIN				1
63	40162681	HORIZONTAL FEED BASE				1
64	SD0790701SP	HINGE SCREW D=7.94 H=7				1
65	NS6660430SP	NUT 1/4-40				1
66	40158781	HORIZONTAL FEED SHAFT				1
67	B1607246000	BUSHING FRONT				1
68	CS111101CSH	THRUST COLLAR ASM. D=11.11 W=10				1
69	CS1111019SH	THRUST COLLAR D=11.11 W=10		*		1
70	SS8660610TP	SCREW 1/4-40 L=6		*		2
71	21427703	HORIZONTAL FEED SHAFT D				1
72	40162643	FEED DOG	FOR LS-2342H,LS-2342H-7			1
73	SS8150510TP	SCREW 15/64-28 L=4.7				1
74	40179279	HORIZONTAL FEED ARM				1
75	SS6121610TP	SCREW 3/16-28 L=15.5				1
76	21428503	HORIZONTAL FEED ARM STOPPER				1
77	21428404	HORIZONTAL FEED ARM ROD				1
78	WP0621016SH	WASHER				1
79	SS9152130CP	SCREW 15/64-28 L=20.5				1
80	SS8110422TP	SCREW 11/64-40 L=4				1
81	21048707	HINGE SCREW	FOR LS-2342S,LS-2342S-7			1
82	21429204	VERTICAL FEED ROD	FOR LS-2342S,LS-2342S-7			1
83	21429808	VERTICAL FEED BRANCH	FOR LS-2342H,LS-2342H-7			1
84	SM6051402TP	SCREW M5X0.8 L=14	FOR LS-2342H,LS-2342H-7			1
85	EA9500B0100	CABLE BAND	FOR LS-2342H,LS-2342H-7			2
86	40019128	VERTICAL FEED BRANCH FELT	FOR LS-2342H,LS-2342H-7			1

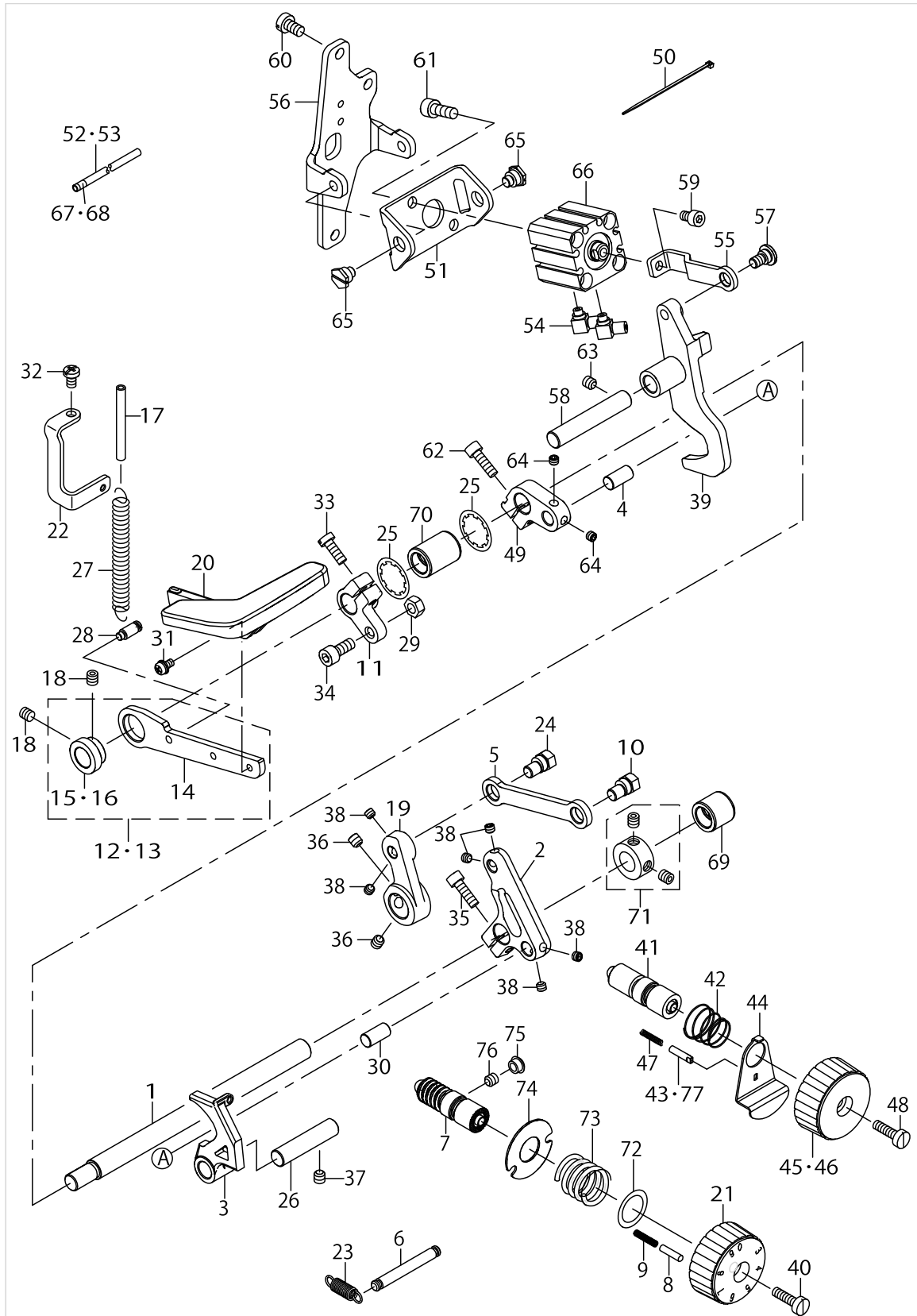
FEED ADJUST COMPONENTS



FEED ADJUST COMPONENTS

No.	Parts No.	Parts name	Remarks	Level	Cons	Qty
1	40126363	BACKWARD_FEED_LEVER_SHAFT				1
2	40125934	FEED_ADJUSTING_PIN HOLDER_A				1
3	40125919	ADJUSTING_BASE_A				1
4	40131887	FEED_ADJUSTING_PIN	FOR LS-2342S-7,LS-2342H-7			1
5	40126561	FEED_ADJUSTING_LINK				1
6	13518501	SPRING SUSPENSION				1
7	22911804	FEED REGULATOR SCREW	FOR LS-2342S,LS-2342H		☆	1
8	40122887	FEED REGULATOR PIN	FOR LS-2342S,LS-2342H			1
9	22912109	FEED REGULATOR PIN SPRING	FOR LS-2342S,LS-2342H			1
10	23613409	FEED ADJUSTING PIN				1
11	40112127	BACKWARD_FEED_CONNECTING_ARM	FOR LS-2342S-7,LS-2342H-7			1
12	40112128	REVERSE_FEED_LEVER_PLATE_ASM.	FOR LS-2342S-7,LS-2342H-7			1
13	40126362	REVERSE_FEED_LEVER_ASM.	FOR LS-2342S,LS-2342H			1
14	40112281	REVERSE_FEED_REVER_PLATE		*		1
15	40112282	REVERSE_FEED_REVER_BUSH	FOR LS-2342S-7,LS-2342H-7	*		1
16	40126555	REVERSE_FEED_LEVER_BUSH	FOR LS-2342S,LS-2342H	*		1
17	23630007	TUBE	FOR LS-2342S-7,LS-2342H-7			0.08
18	SM8060612TP	SCREW M6 L=6	FOR LS-2342S,LS-2342H			2
19	40123628	FEED_ADJUSTING_ARM				1
20	40126116	REVERSE_FEED_LEVER_DRAFT				1
21	40142199	FEED_DIAL	FOR LS-2342S,LS-2342H		☆	1
22	40125864	REVERSE_FEED_LEVER_SPRING_HOOK	FOR LS-2342S-7,LS-2342H-7			1
23	10721306	CHANGE SPRING				1
24	23613409	FEED ADJUSTING PIN				1
25	WT1780011KP	TOOTHED WASHER 18				2
26	40033825	HEAD_FIXED_SHAFT				1
27	D2629M1YC0F	SPRING	FOR LS-2342S-7,LS-2342H-7			1
28	26229302	SUSPENSION SCREW	FOR LS-2342S-7,LS-2342H-7			1
29	NM6050001SD	NUT M5X0.8	FOR LS-2342S-7,LS-2342H-7			1
30	40134959	FEED_ADJUSTING_PIN				1
31	SL4040881SC	SCREW M4 L=8				2
32	SM4050855SP	SCREW	FOR LS-2342S-7,LS-2342H-7			1
33	SM6051400SP	SCREW	FOR LS-2342S-7,LS-2342H-7			1
34	SM6051202TP	SCREW M5X0.8 L=12	FOR LS-2342S-7,LS-2342H-7			1
35	SM6051602TP	SCREW M5X0.8 L=16				1
36	SM8060612TP	SCREW M6 L=6				2
37	SM8060612TP	SCREW M6 L=6				1
38	SM8050412TP	SCREW M5 L=4				6
39	40125920	ADJUSTING_BASE_B	FOR LS-2342S-7,LS-2342H-7			1
40	SS6121860SP	SCREW 3/16-28 L=18				1
41	40141842	FEED_REGULATOR_SCREW	FOR LS-2342S-7,LS-2342H-7			2
42	40141840	REGULATOR_STOPPER_SPRING	FOR LS-2342S-7,LS-2342H-7			2
43	40177396	FEED REGULATOR PIN	FOR LS-2342S-7,LS-2342H-7			1
44	40161441	REGULATOR_PIN_STOPPER	FOR LS-2342S-7,LS-2342H-7			2
45	40163505	FEED_DIAL(A) ASM.	FOR LS-2342S-7,LS-2342H-7			1
46	40163506	FEED_DIAL(B) ASM.	FOR LS-2342S-7,LS-2342H-7			1
47	22912109	FEED REGULATOR PIN SPRING	FOR LS-2342S-7,LS-2342H-7			2

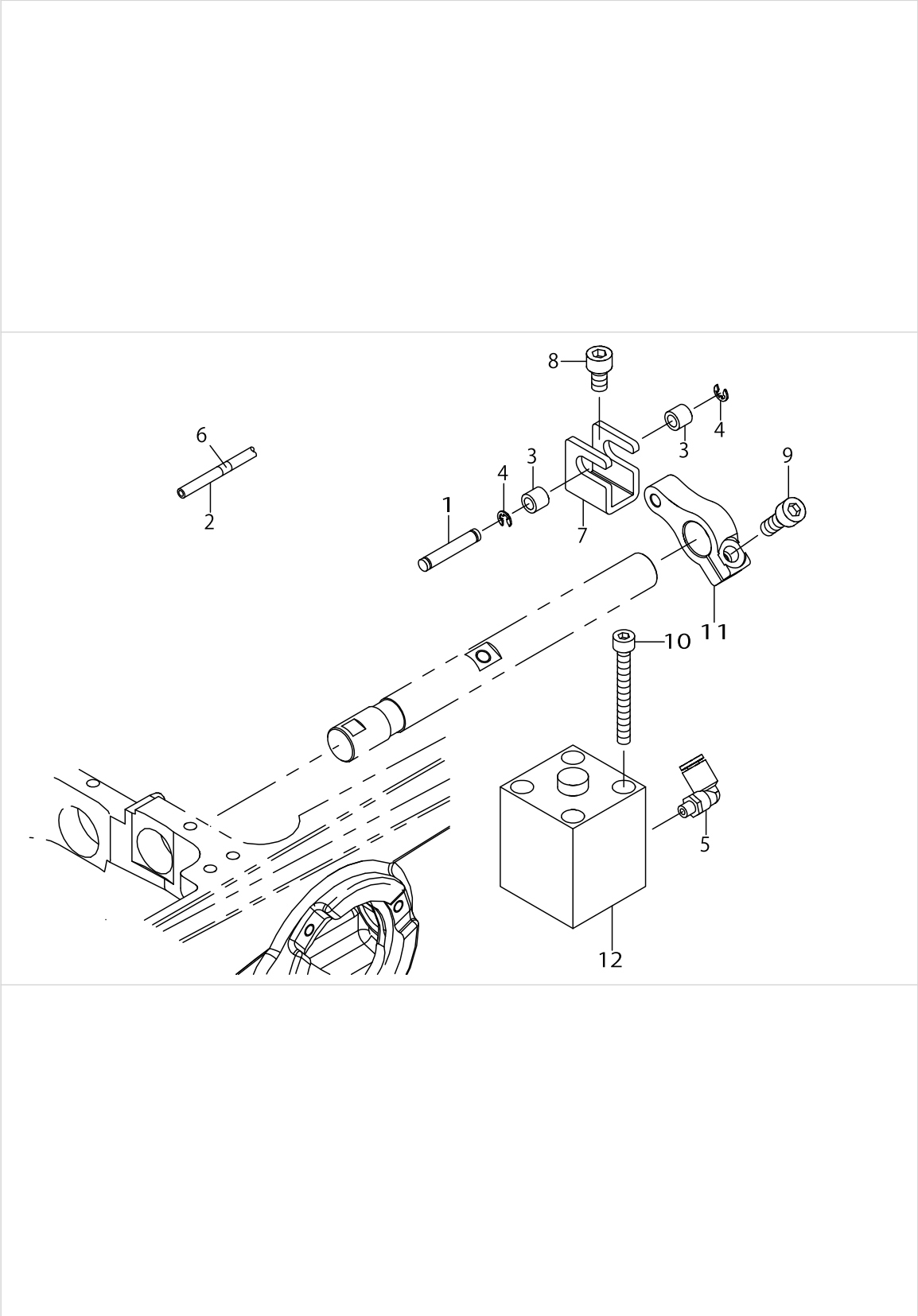
FEED ADJUST COMPONENTS



FEED ADJUST COMPONENTS

No.	Parts No.	Parts name	Remarks	Level	Cons	Qty
48	SS6121860SP	SCREW 3/16-28 L=18	FOR LS-2342S-7,LS-2342H-7			2
49	40125858	FEED_ADJUSTING_PIN HOLDER_B	FOR LS-2342S-7,LS-2342H-7			1
50	EA9500B0100	CABLE BAND	FOR LS-2342S-7,LS-2342H-7			1
51	40126642	CYLINDER_BASE_A	FOR LS-2342S-7,LS-2342H-7			1
52	BT0400251EB	URETHANE HOSE BLACK	FOR LS-2342S-7,LS-2342H-7			0.28
53	BT0400251EB	URETHANE HOSE BLACK	FOR LS-2342S-7,LS-2342H-7			0.28
54	PJ046052503	HOSE ELBOW	FOR LS-2342S-7,LS-2342H-7			2
55	40112267	CYLINDER_JOINT	FOR LS-2342S-7,LS-2342H-7			1
56	40126643	CYLINDER_BASE_B	FOR LS-2342S-7,LS-2342H-7			1
57	SD0800346TP	SHOULDER SCREW	FOR LS-2342S-7,LS-2342H-7			1
58	40077931	PRESSURE_LOWERING_SHAFT	FOR LS-2342S-7,LS-2342H-7			1
59	SM6050802TP	SCREW M5X0.8 L=8	FOR LS-2342S-7,LS-2342H-7			1
60	SM6061010TP	SCREW M6 L=10	FOR LS-2342S-7,LS-2342H-7			3
61	SM6061602TP	SCREW M6 L=16	FOR LS-2342S-7,LS-2342H-7			2
62	SM6051602TP	SCREW M5X0.8 L=16	FOR LS-2342S-7,LS-2342H-7			1
63	SM8060612TP	SCREW M6 L=6	FOR LS-2342S-7,LS-2342H-7			1
64	SM8050412TP	SCREW M5 L=4	FOR LS-2342S-7,LS-2342H-7			2
65	SD0900426TP	SHOULDER SCREW D=9 H=4.2	FOR LS-2342S-7,LS-2342H-7			2
66	PA200150900	AIR CYLINDER	FOR LS-2342S-7,LS-2342H-7			1
67	18035006	CABLE MARK NO.1	FOR LS-2342S-7,LS-2342H-7			1
68	18035105	WIRE MARK (2)	FOR LS-2342S-7,LS-2342H-7			1
69	40086018	BUSHING_MAIN_FEED				1
70	13424502	BUSHING FRONT				1
71	CS1201010SH	THRUST COLLAR ASM. D=12 W=10				1
72	WP1751616SD	WASHER 17.5X24X1.6	FOR LS-2342S,LS-2342H			1
73	23534506	FEED DIAL SPRING	FOR LS-2342S,LS-2342H			1
74	40090101	FEED_DIAL_STOPPER_WASHER_B	FOR LS-2342S,LS-2342H			1
75	TA0750404R0	PLUG D=7.5 L=3.5				1
76	SM8060612TP	SCREW M6 L=6				1
77	40161440	FEED_REGULATOR_PIN	FOR LS-2342S-7,LS-2342H-7			1

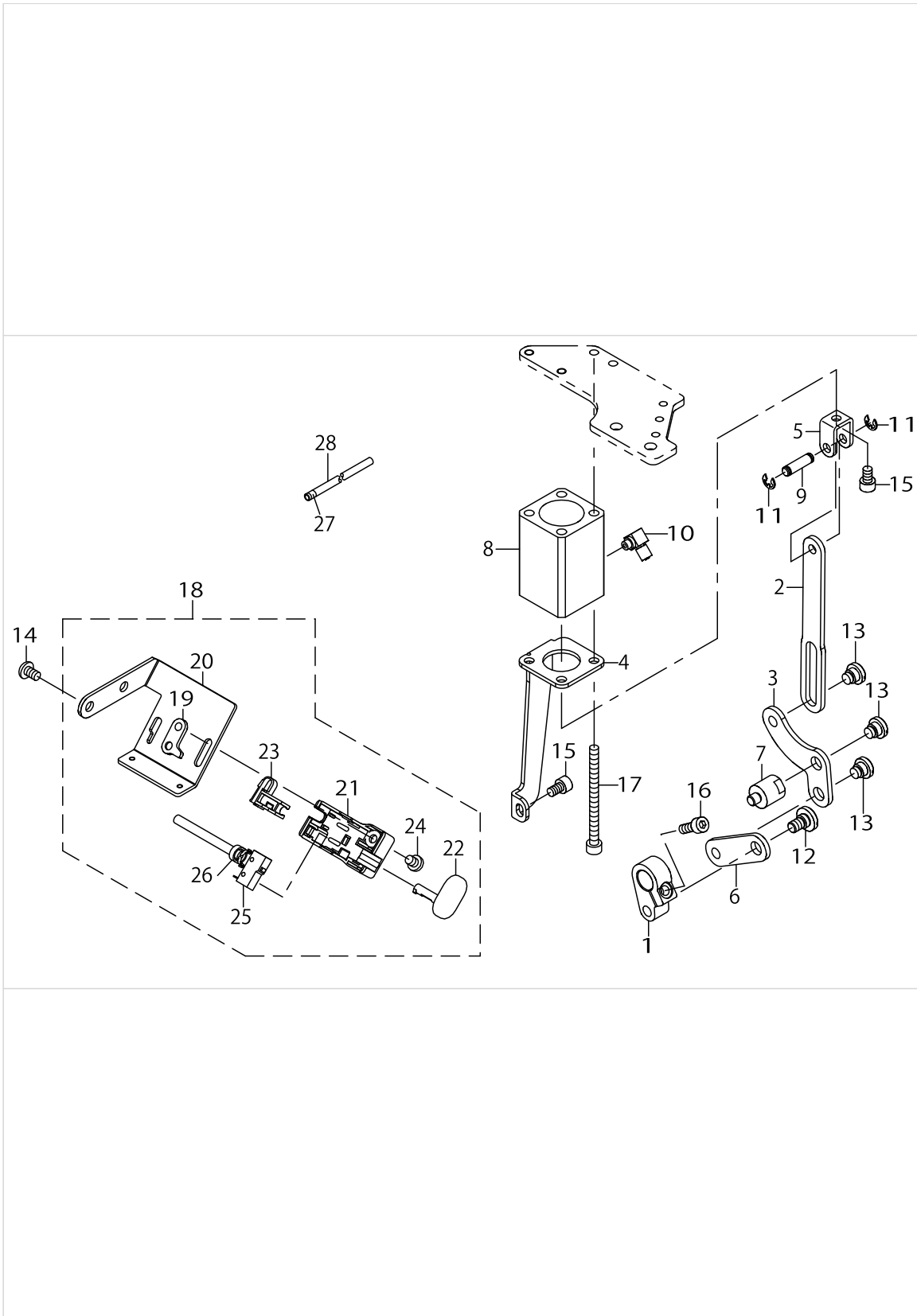
DL COMPONENTS (FOR LS-2342S-7,LS-2342H-7)



DL COMPONENTS (FOR LS-2342S-7,LS-2342H-7)

No.	Parts No.	Parts name	Remarks	Level	Cons	Qty
1	B1504210000	CONNECTING SHAFT				1
2	BT0400251EB	URETHANE HOSE BLACK				0.51
3	B3031141H00	CONNECTING STUD				2
4	RE0320000K0	E-RING 3.2				2
5	PJ304040504	ELBOW UNION				1
6	18035501	WIRE MARK (6)				1
7	40112191	KNUCKLE_JOINT_B				1
8	SM6061002TP	SCREW M6 L=10				1
9	SM6061602TP	SCREW M6 L=16				1
10	SM6054502TP	SCREW M5X0.8 L=45				2
11	40112192	TERTICAL_CYLINDER_ARM				1
12	PA250250900	AIR CYLINDER				1

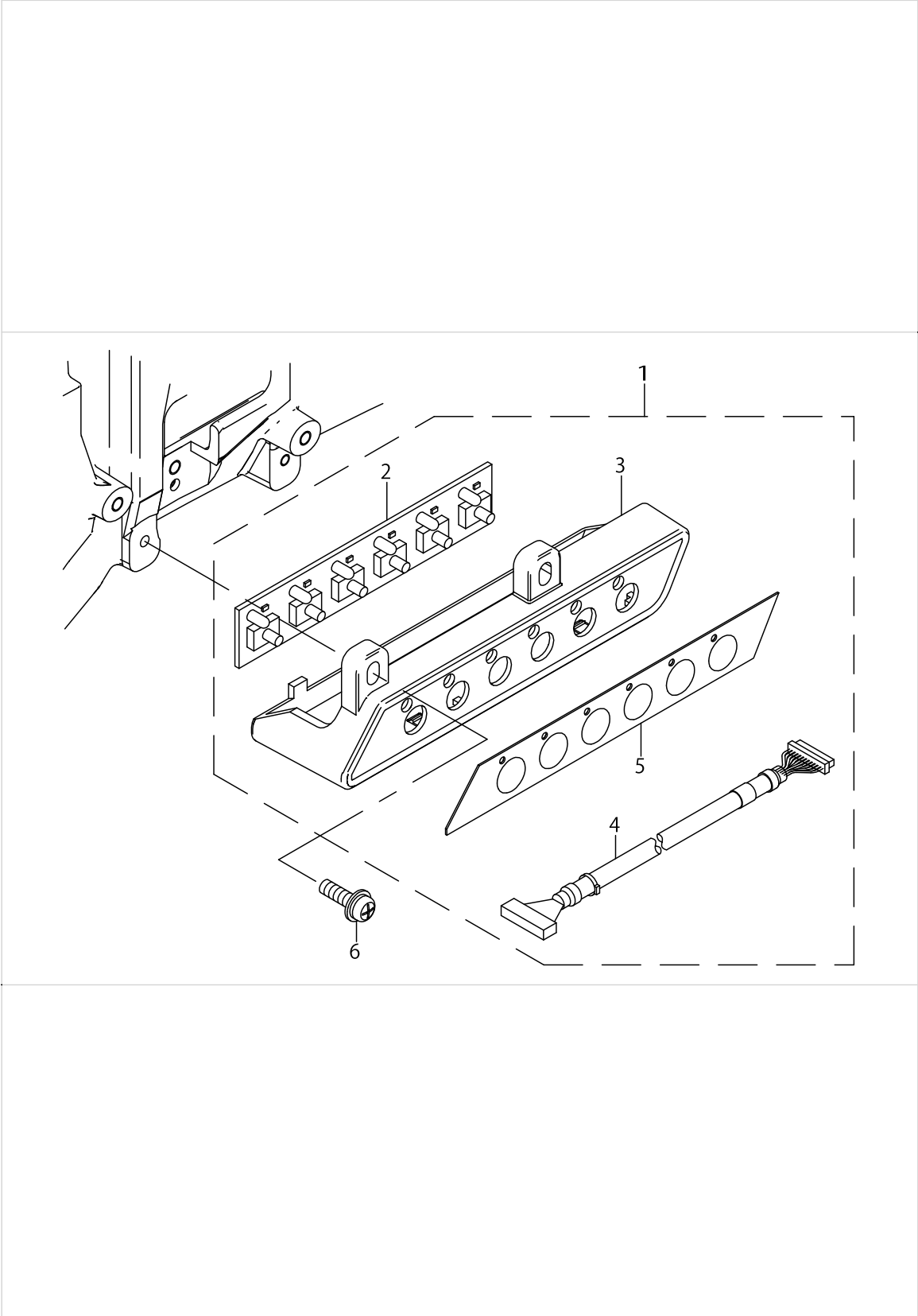
AUTO BT COMPONENTS (FOR LS-2342S-7,LS-2342H-7)



AUTO BT COMPONENTS (FOR LS-2342S-7,LS-2342H-7)

No.	Parts No.	Parts name	Remarks	Level	Cons	Qty
1	40112136	BT_ARM				1
2	40112137	LINK_A				1
3	40112138	LINK_B				1
4	40112140	CYLINDER_STAY				1
5	40112149	CYLINDER_KNUCKLE				1
6	40112150	LINK_C				1
7	40112151	BT_LINK_STUD				1
8	PA200350300	AIR CYLINDER				1
9	D2464555B00	LINK DRIVING MAGNET PIN				1
10	PJ046052503	HOSE ELBOW				1
11	RE0400000K0	E-RING 4				2
12	SD0800321TH	HINGE SCREW D=8 H=3.2				1
13	SD0800341SP	HINGE SCREW D=8 H=3.4				3
14	SM4050855SP	SCREW				2
15	SM6050802TP	SCREW M5X0.8 L=8				2
16	SM6051402TP	SCREW M5X0.8 L=14				1
17	SM6056552TP	SCREW				3
18	40130285	TB_SWITCH_ASSY				1
19	23632102	REVERSE FEED SWITCH BASE GUIDE		*		1
20	40112213	TB_SW_MOUNTING_PLATE		*		1
21	23631708	REVERSE FEED SWITCH COVER		*		1
22	23631807	REVERSE FEED SWITCH SHAFT		*		1
23	23631906	REVERSE FEED SWITCH SUPPORT		*		1
24	SS7110740TP	SCREW 11/64-40 L=7		*		1
25	40130286	REVERSE FEED CORD ASM		*		1
26	EA9500B0100	CABLE BAND		*		1
27	18035709	WIRE MARK (8)				1
28	BT0400251EB	URETHANE HOSE BLACK				0.19

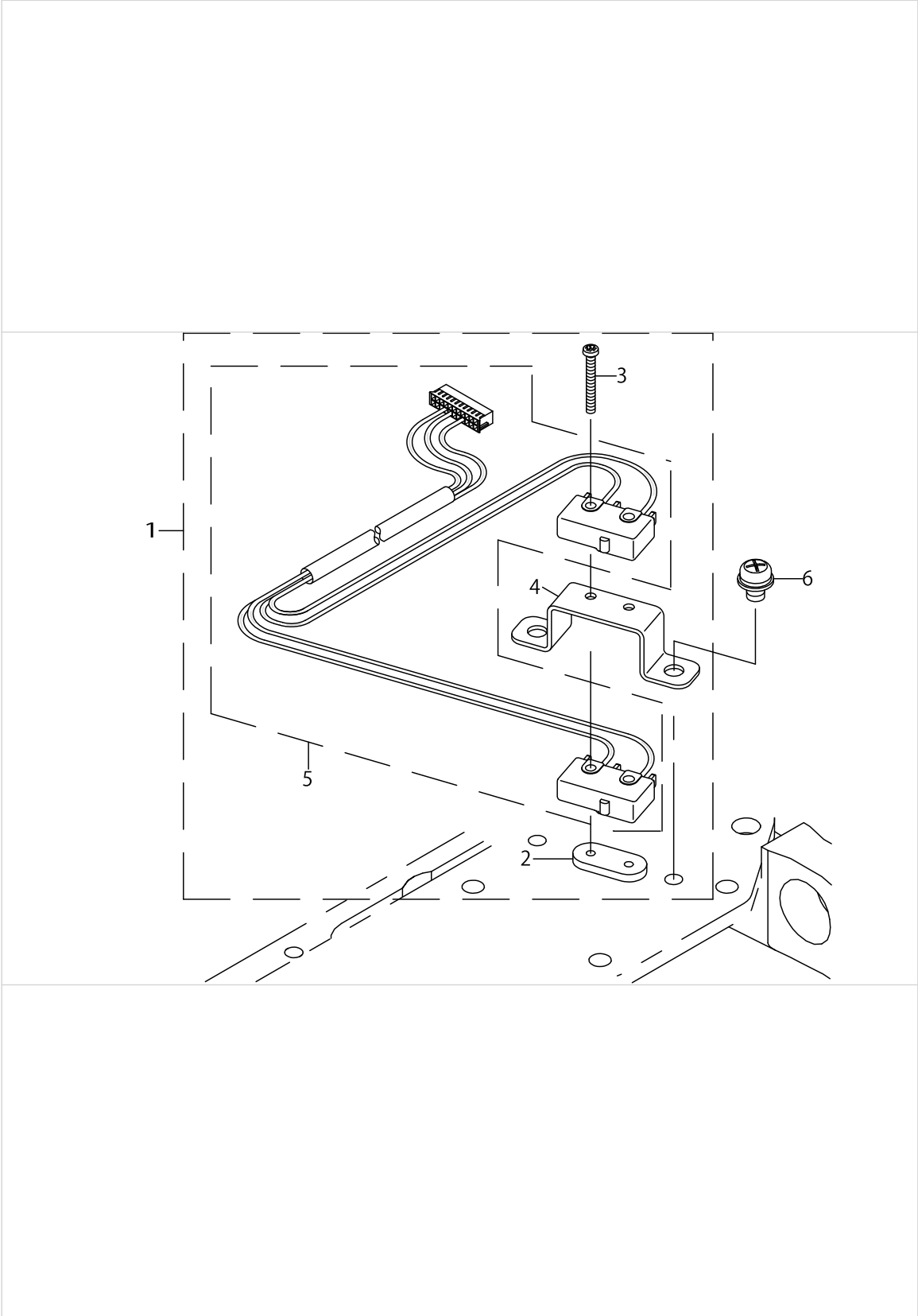
6-RANGE SW COMPONENTS



6-RANGE SW COMPONENTS

No.	Parts No.	Parts name	Remarks	Level	Cons	Qty
1	40130287	6RANGE SWITCH ASM.				1
2	40105510	6RANGE SWITCH PCB ASSY		*		1
3	40112215	6RANGE_SWITCH_COVER		*		1
4	40130288	6RANGE SWITCH CABLE ASM.		*		1
5	40112216	PANEL SHEET		*		1
6	SL4041491SC	SCREW 4X14				2

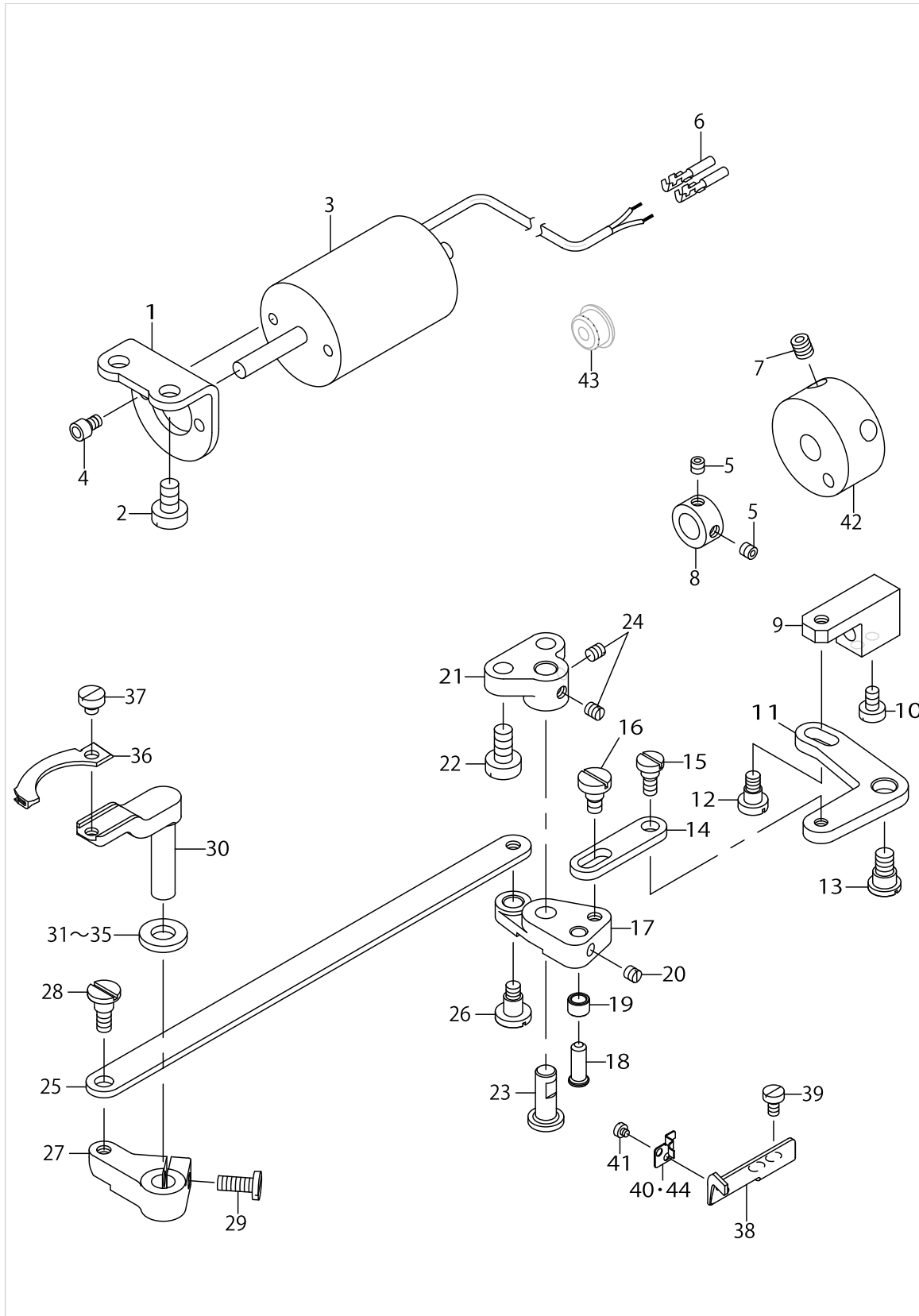
SPEED ADJUST COMPONENTS



SPEED ADJUST COMPONENTS

No.	Parts No.	Parts name	Remarks	Level	Cons	Qty
1	40130289	VERTICAL_DETECTOR_SWITCH_ASM.				1
2	23638406	SAFETY SWITCH NUT		*		1
3	SM4021601SN	SCREW M2 L=16		*		2
4	40126259	SENSOR_BRACKET		*		1
5	40130290	SPEED CONTROL CORD ASM		*		1
6	SL4040691SC	SCREW M4 L=6				2

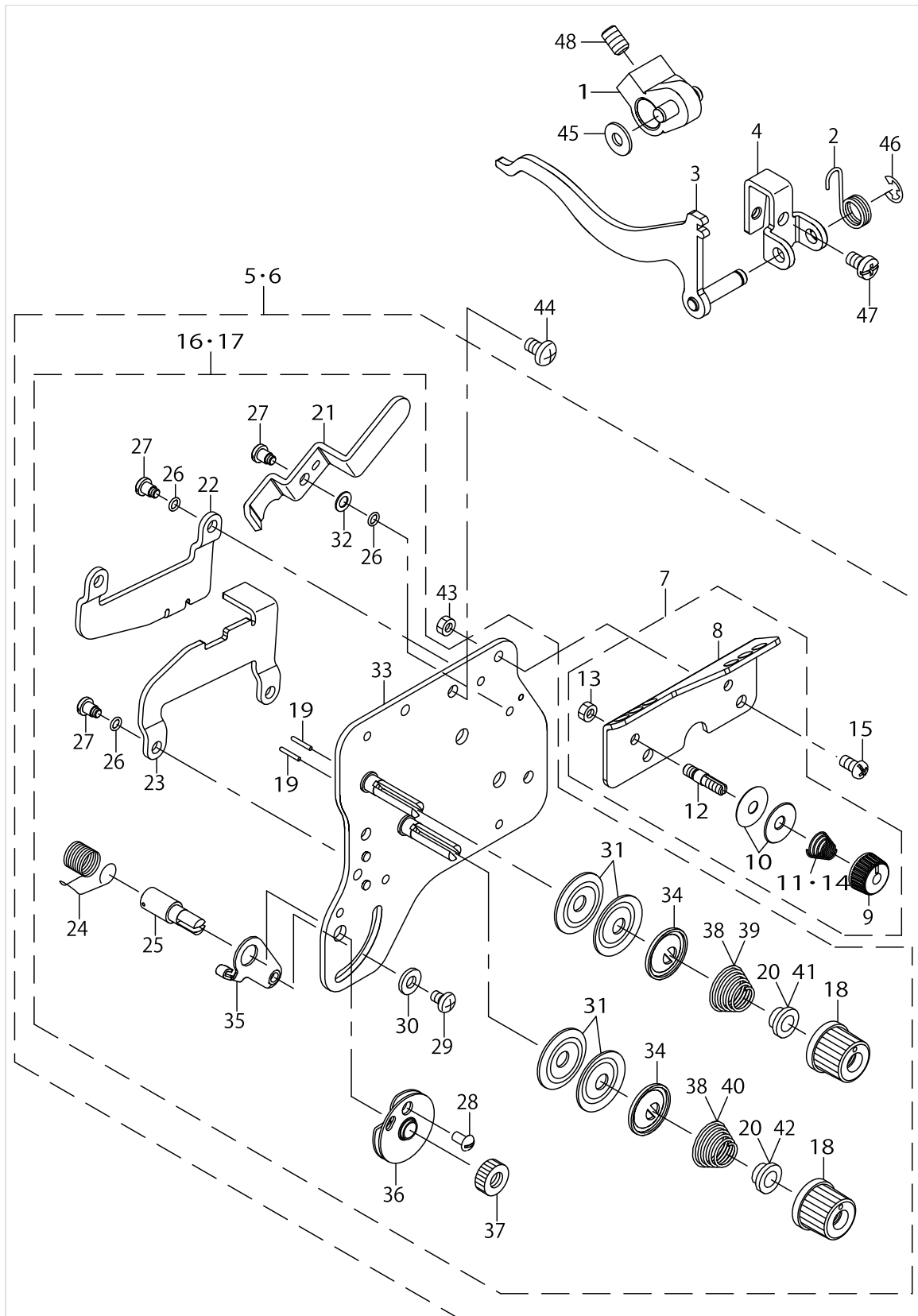
THREAD TRIMMER COMPONENTS (FOR LS-2342S-7,LS-2342H-7)



THREAD TRIMMER COMPONENTS (FOR LS-2342S-7,LS-2342H-7)

No.	Parts No.	Parts name	Remarks	Level	Cons	Qty
1	21439005	SOLENOID FITTING PLATE				1
2	SS6151040SP	SCREW 15/64-28 L=10				2
3	23104201	THREAD CUTTING SOLENOID				1
4	SM6040602TP	SCREW M4 L=6				2
5	SS8110422TP	SCREW 11/64-40 L=4				2
6	HK03464000B	PIN CONTACT				2
7	SS8660612TP	SCREW 1/4-40 L=6				2
8	CS0950816SH	THRUST COLLAR D=9.5 W=8				1
9	21439104	THREAD TRIMMER SOLENOID ARM				1
10	SS6110710TP	SCREW 11/64-40 L=6.5				2
11	21439203	THREAD TRIMMER SOLENOID LINK				1
12	SD0600452TP	HINGE SCREW D=6 H=4.5				1
13	SD0790451SP	HINGE SCREW D=7.94 H=4.5				1
14	21439302	SOLENOID CONNECTING LINK				1
15	SD0600352SP	HINGE SCREW				1
16	SD0600321SP	HINGE SCREW D=6 H=3.2				1
17	21439401	FOLLOWER ARM				1
18	21439500	CAM ROLLER SHAFT				1
19	21440508	THREAD TRIMMER CAM ROLLER				1
20	SS8110410TP	SCREW 11/64-40 L=3.5				1
21	21439609	FOLLOWER BASE				1
22	SS6151210SP	SCREW 15/64-28 L=12				2
23	21439708	FOLLOWER SHAFT				1
24	SS8110422TP	SCREW 11/64-40 L=4				2
25	40159451	THREAD TRIMMER LINK				1
26	SD0640631TP	HINGE SCREW D=6.35 H=6.3				1
27	21439906	MOVING KNIFE ARM				1
28	B2415373N00	FUL CULUM SHAFT				1
29	SS6121210SP	SCREW 3/16-28 L=12				1
30	21440003	MOVING KNIFE BASE				1
31	B185351200AA	HOOK SHAFT WASHER A	SELECTIVE PARTS			1
32	B185351200BA	HOOK SHAFT WASHER B	SELECTIVE PARTS			1
33	B185351200CA	HOOK SHAFT WASHER C				1
34	B185351200D	HOOK SHAFT WASHER	SELECTIVE PARTS			1
35	B185351200E	HOOK SHAFT WASHER	SELECTIVE PARTS			1
36	21440607	MOVING KNIFE				1
37	SS6110480SP	SCREW 11/64-40 L=4.3				1
38	21440102	FIXING KNIFE				1
39	SS6090620TP	SCREW				2
40	21440201	CLAMP PLATE	FOR LS-2342S-7			1
41	SS6060220SP	SCREW 3/32-56 L=2.0				2
42	21440300	THREAD TRIMMER CAM				1
43	10622009	COAD BUSH				1
44	40165483	CLAMP PLATE	FOR LS-2342H-7			1

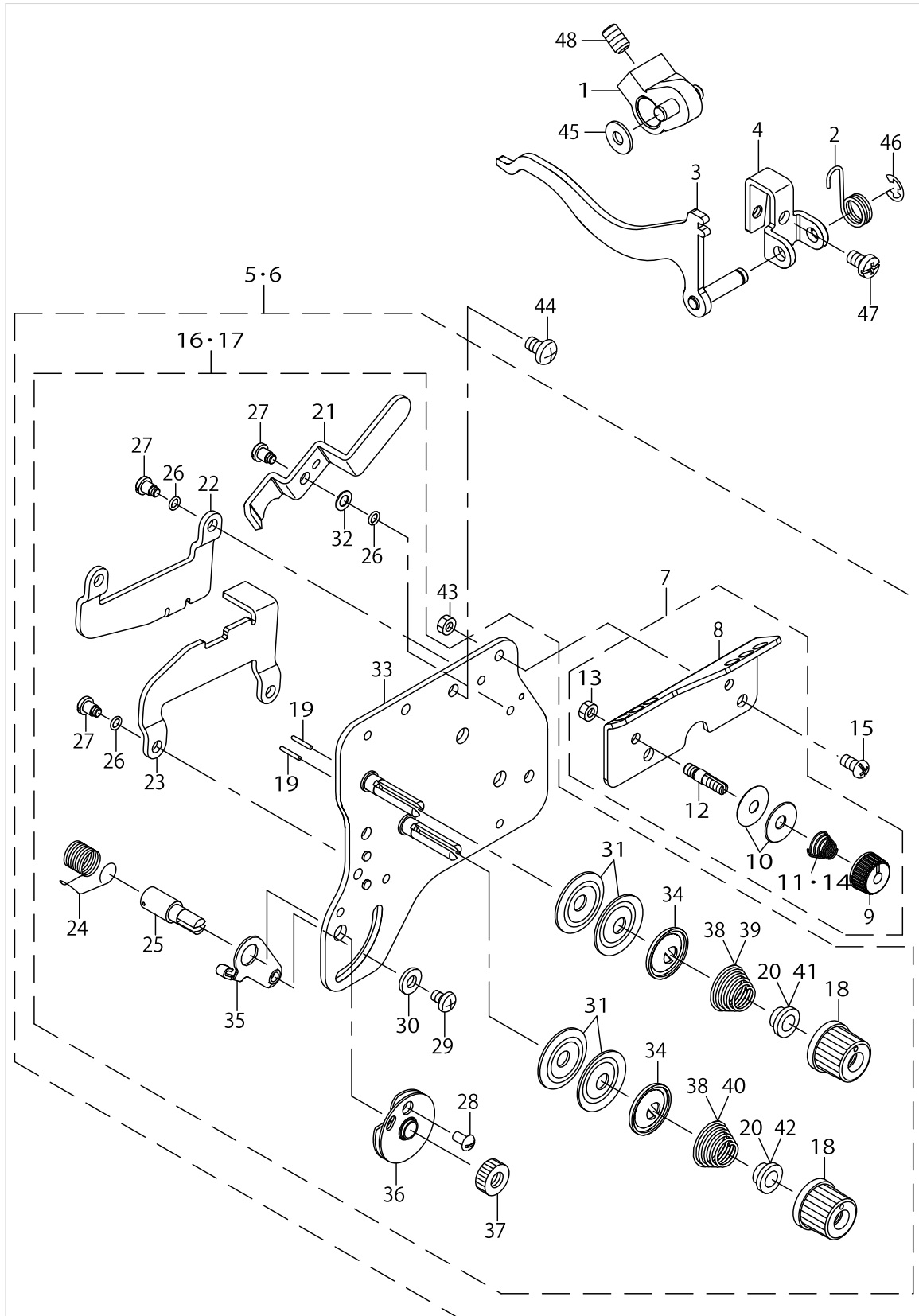
THREAD TENSION COMPONENTS



THREAD TENSION COMPONENTS

No.	Parts No.	Parts name	Remarks	Level	Cons	Qty
1	22912257	FEED REVERSE ARM ASM.				1
2	22954309	REVERSE FEED SWITCH SPRING				1
3	40126265	DISK_RELEASE_LINK_ASM.				1
4	40125873	DISK_RELEASE_LINK_BASE				1
5	40155956	THREAD_TENSION_ASSY_2810	FOR LS-2342S,LS-2342S-7			1
6	40176347	THREAD_TENSION_ASSY_2710	FOR LS-2342H,LS-2342H-7			1
7	40155958	THREAD_GUIDE_PLATE_ASM_2810		*		1
8	40155960	THREAD_GUIDE_PLATE		*		1
9	22945703	THREAD TENSION NUT		*		1
10	22945802	THREAD TENSION DISK		*		2
11	22963409	THREAD TENSION SPRING		*	☆	1
12	40155994	TEREAD_TENSION_POST_A		*		1
13	NS6110310SP	NUT 11/64-40		*		1
14	22945505	THREAD TENSION SPRING	FOR LS-2342S-7, LS-2342H-7(OPTI- ONAL PARTS)	*		1
15	SS4110815SP	SCREW 11/64-40 L=8		*		2
16	40161459	THREAD_TENSION_PLATE_ASM_2810	FOR LS-2342S,LS-2342S-7	*		1
17	40176349	ASSY_TENSION_BASE_PLATE_2710	FOR LS-2342H,LS-2342H-7	*		1
18	13817408	THREAD TENSION NUT		*		2
19	22618201	TENSION RELEASE PIN A		*		2
20	B3112704000	TENSION SPRING BUSHING	FOR LS-2342S,LS-2342S-7	*		2
21	40112204	TENSION_RELEASE_LEVER		*		1
22	40112218	DISK_RELEASE_PLATE_A		*		1
23	40112219	DISK_RELEASE_PLATE_B		*		1
24	22618706	THREAD TAKE-UP SPRING A		*	☆	1
25	10320109	SCREW STUD		*		1
26	RO037180100	RUBBER RING		*		5
27	SD0450401SP	HINGE SCREW D=4.5 H=4		*		5
28	SS3090710TP	SCREW 9/64-40 L=7		*		1
29	SS4110615SP	SCREW 11/64-40 L=6		*		1
30	WP0501016SD	WASHER 5X10.5X1		*		1
31	22921506	THREAD TENSION DISK		*		4
32	WP0460556SD	WASHER 4.6X7.5X0.5		*		1
33	40126404	ASSY_TENSION_BASE_PLATE_2810		*		1
34	40126724	TENSION_DISC HOLDER		*		2
35	10697506	THREAD TENSION BRACKET A		*		1
36	B31375270A0	TAKE-UP SPRING GUIDE ASM.		*		1
37	22617807	NUT		*		1
38	12938304	TENSION SPRING	FOR LS-2342S,LS-2342S-7	*	☆	2
39	12938304	TENSION SPRING	FOR LS-2342H,LS-2342H-7	*	☆	1
40	B3129053000	TENSION SPRING	FOR LS-2342H,LS-2342H-7	*	☆	1
41	B3112704000	TENSION SPRING BUSHING	FOR LS-2342H,LS-2342H-7	*		1
42	22921407	ROTATION STOPPER	FOR LS-2342H,LS-2342H-7	*		1
43	NS6110310SP	HEXAGONAL NUT 11/64-40		*		2
44	SM4051001SN	SCREW M5				3
45	22528509	FELT				1
46	RE0500000K0	E-RING				1

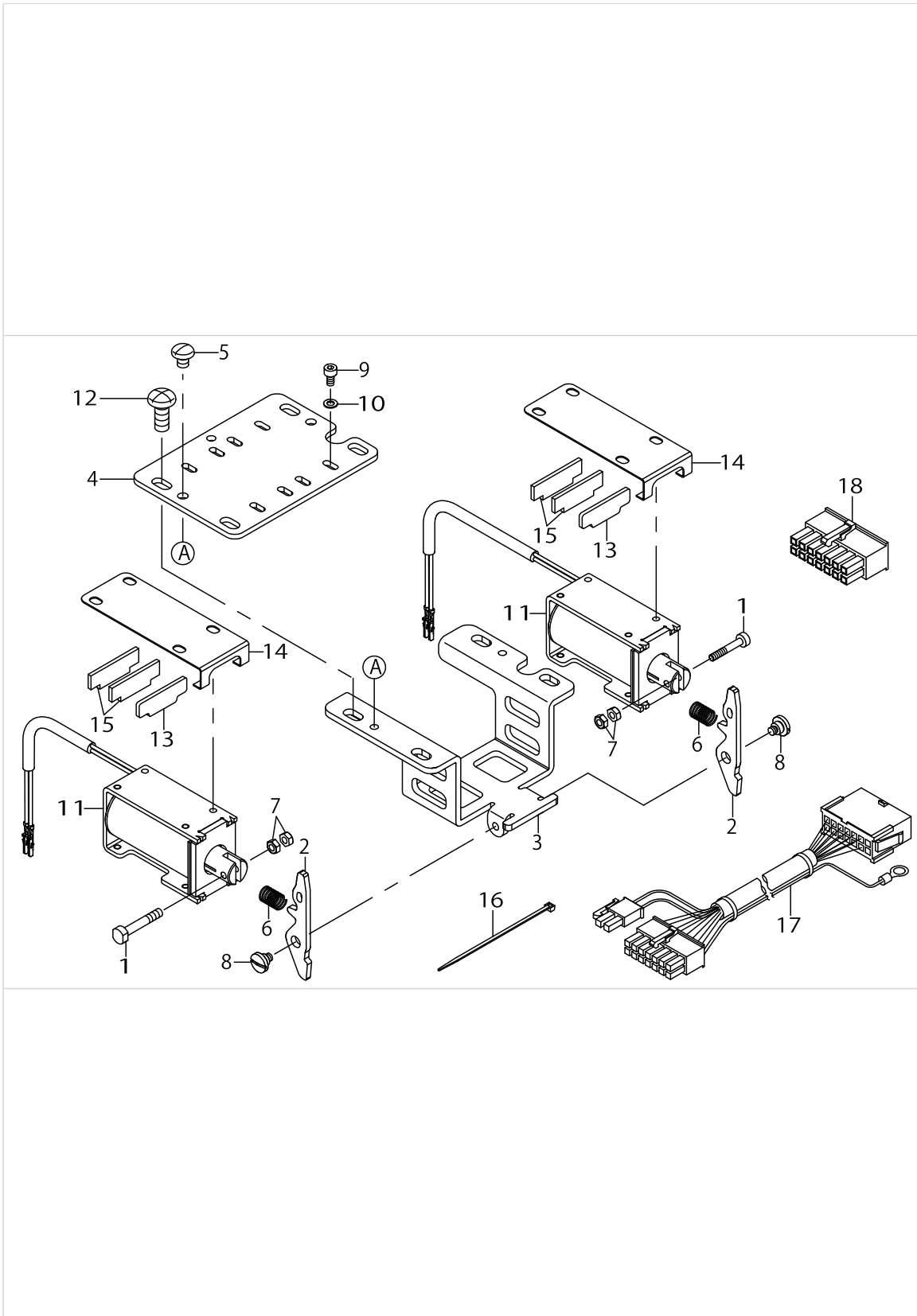
THREAD TENSION COMPONENTS



THREAD TENSION COMPONENTS

No.	Parts No.	Parts name	Remarks	Level	Cons	Qty
47	SM4050855SP	SCREW				1
48	SS8661012TP	SCREW				1

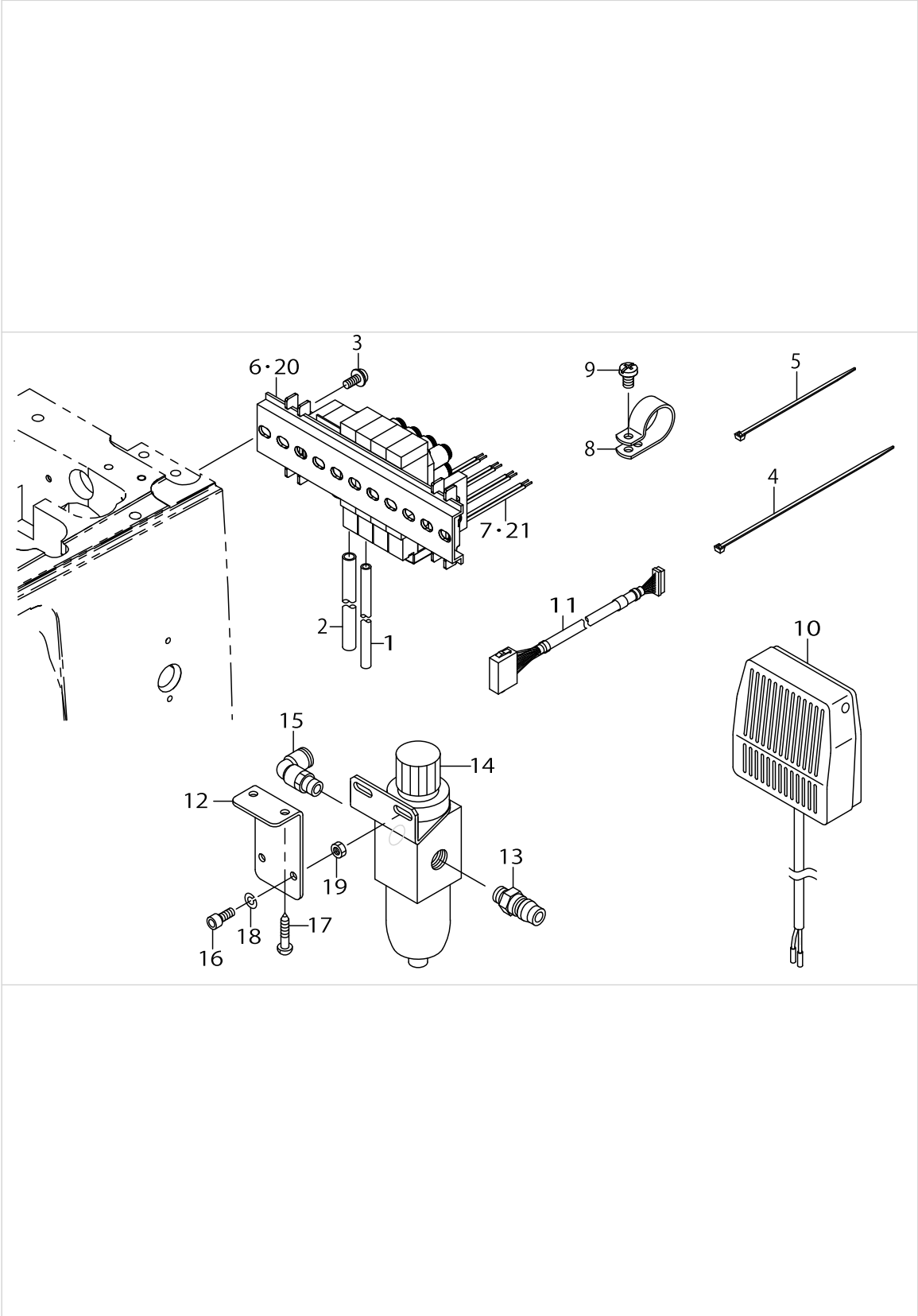
TENSION RELEASE COMPONENTS



TENSION RELEASE COMPONENTS

No.	Parts No.	Parts name	Remarks	Level	Cons	Qty
1	40139345	PLUNGER_LINK_PIN				2
2	40125948	RELEASE_SOLENOID_LINK				2
3	40126263	SOLENOID_LINK_MOUNTING_PLATE				1
4	40125949	RELEASE_SOLENOID_BASE				1
5	SS4090515SP	SCREW 9/64-40 L=5				2
6	32055501	AT (UPPER) SPRING				2
7	NM6030001SC	NUT M3X0.5 TYPE1				4
8	SD0550271TP	HINGE SCREW D=5.50 H=2.7				2
9	SM6030602TP	SCREW M3X0.5 L=6				8
10	WP0320501SE	WASHER 3.2X7.0X0.5				8
11	40130291	TENSION_RELEASE_SOLENOID				2
12	SM4051255SP	SCREW M5 L=12				4
13	40126563	STOPPER_PLATE				2
14	40126562	RUBBER HOLDER				2
15	40086679	WIPER_STOPPER_RUBBER				4
16	EA9500B0100	CABLE BAND				1
17	40139455	SOLENOID RELAY CABLE ASM.				1
18	HK034610140	HOUSING 14P	FOR LS-2342S,LS-2342H			1

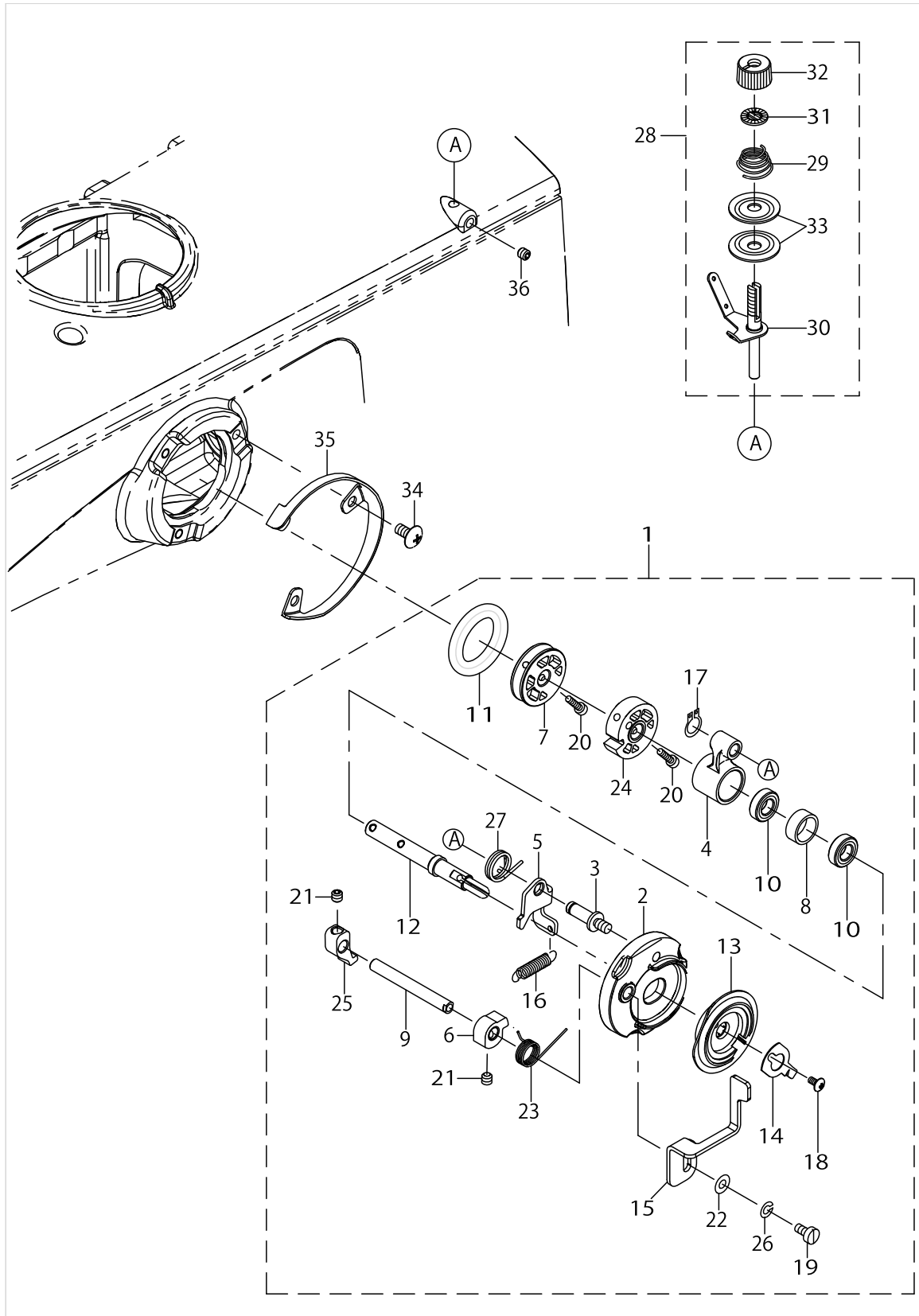
PNEUMATIC COMPONENTS



PNEUMATIC COMPONENTS

No.	Parts No.	Parts name	Remarks	Level	Cons	Qty
1	BT0600401EB	TUBE				1.1
2	BT0800501EB	VINYL TUBE				1.1
3	SL4041091SC	SCREW M4 L=10				2
4	EA9500B0200	CABLE BAND 150				2
5	EA9500B0100	CABLE BAND				3
6	40133982	SOLENOID_VALVE_ASM	FOR LS-2342S,LS-2342H			1
7	40133983	SOLENOID VALVE CABLE ASM	FOR LS-2342S,LS-2342H			1
8	HX00150000M	CABLE CLIP				2
9	SM4050855SP	SCREW				2
10	40143553	KNEE SW ASM.	FOR LS-2342S-7,LS-2342H-7			1
11	40126127	AIR VALVE RELAY CABLE ASM.				1
12	13860408	REGULATOR BRACKET				1
13	PJ025100003	PLUG				1
14	PF055107000	FILTER REGULATOR				1
15	PJ304065101	ELBOW UNION 6XPT1/8				1
16	SM6051202TP	SCREW M5X0.8 L=12				2
17	SK3482001SE	WOOD SCREW D=4.8 L=20				2
18	WS0510002KN	SPRING WASHER M5				2
19	NM6050001SP	NUT M5				2
20	40126545	SOLENOID_VALVE_ASSY	FOR LS-2342S-7,LS-2342H-7			1
21	40126128	SOLENOID VALVE CABLE ASM	FOR LS-2342S-7,LS-2342H-7			1

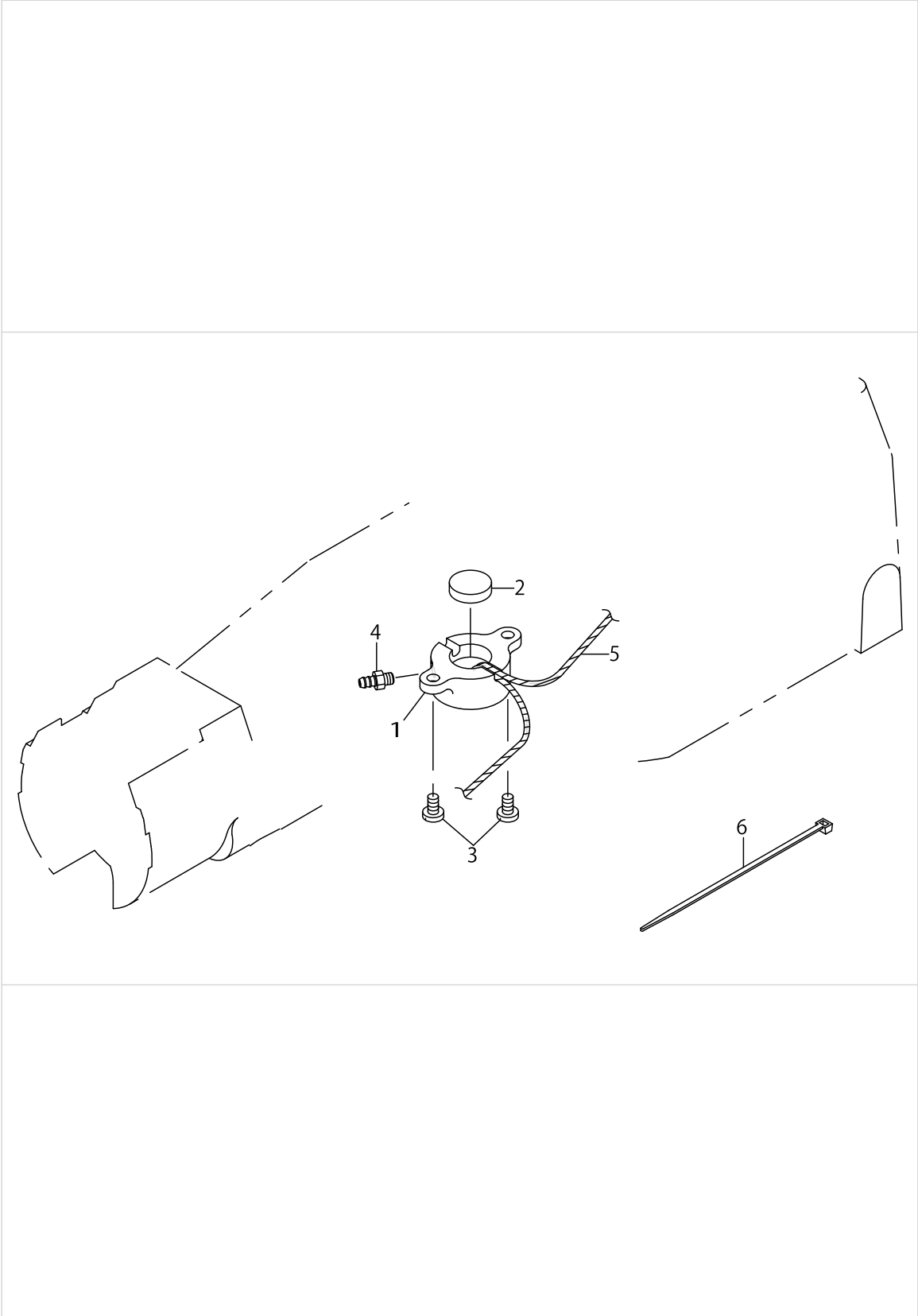
BOBBIN WINDER COMPONENTS



BOBBIN WINDER COMPONENTS

No.	Parts No.	Parts name	Remarks	Level	Cons	Qty
1	40126355	BOBBIN_WINDER_UNIT				1
2	26260109	BTW_BASE		*		1
3	26260307	BTW_BASE_SHAFT		*		1
4	26260406	BTW_SHAFT_BASE		*		1
5	40126594	BTW_CAM_PLATE		*		1
6	26260505	BTW_CAM_LEVER		*		1
7	40125851	WINDER_WHEEL		*		1
8	26260802	BTW_BEARING_SPACER		*		1
9	26261008	BTW_LEVER_SHAFT		*		1
10	40126354	WINDER_BEARING		*		2
11	26261503	BTW_WHEEL_RUBBER		*	☆	1
12	40126550	BOBBIN_SHAFT		*		1
13	40125927	BOBBIN_BASE		*		1
14	40126311	WINDER_CUTTER		*		1
15	40151791	BOBBIN_LEVER		*		1
16	13718507	SPRING		*		1
17	RC0560711KP	RETAINING RING		*		1
18	SM0030601SC	SCREW M3X0.5 L=6		*		1
19	SM6040860TP	SCREW M4 L=8		*		1
20	SM6031202TP	SCREW M3X0.5 L=12		*		2
21	SM8050502TP	SCREW M5 L=5		*		2
22	WP0450801SP	WASHER		*		1
23	40126549	HELICAL_TORSION_COIL_SPRING		*		1
24	40125928	WINDER_LATCH_CAM		*		1
25	40125844	WINDER_LATCH_B		*		1
26	WS0451040KP	SPRING WASHER 4.5X8.5X1		*		1
27	40011144	BTW_TORSION_SPRING		*		1
28	40088958	BOBBIN_THREAD_TENSION_ASM.				1
29	22921704	THREAD_TENSION_SPRING_A		*	☆	1
30	40088959	BOBBIN_THREAD_TENSION_ROD_ASM.		*		1
31	22921407	ROTATION_STOPPER		*		1
32	22921308	THREAD_TENSION_NUT		*		1
33	22921506	THREAD_TENSION_DISK		*		2
34	SM0051001SC	SCREW				3
35	40152022	BTW_GUARD				1
36	SM8051002TP	SCREW M5 L=10				1

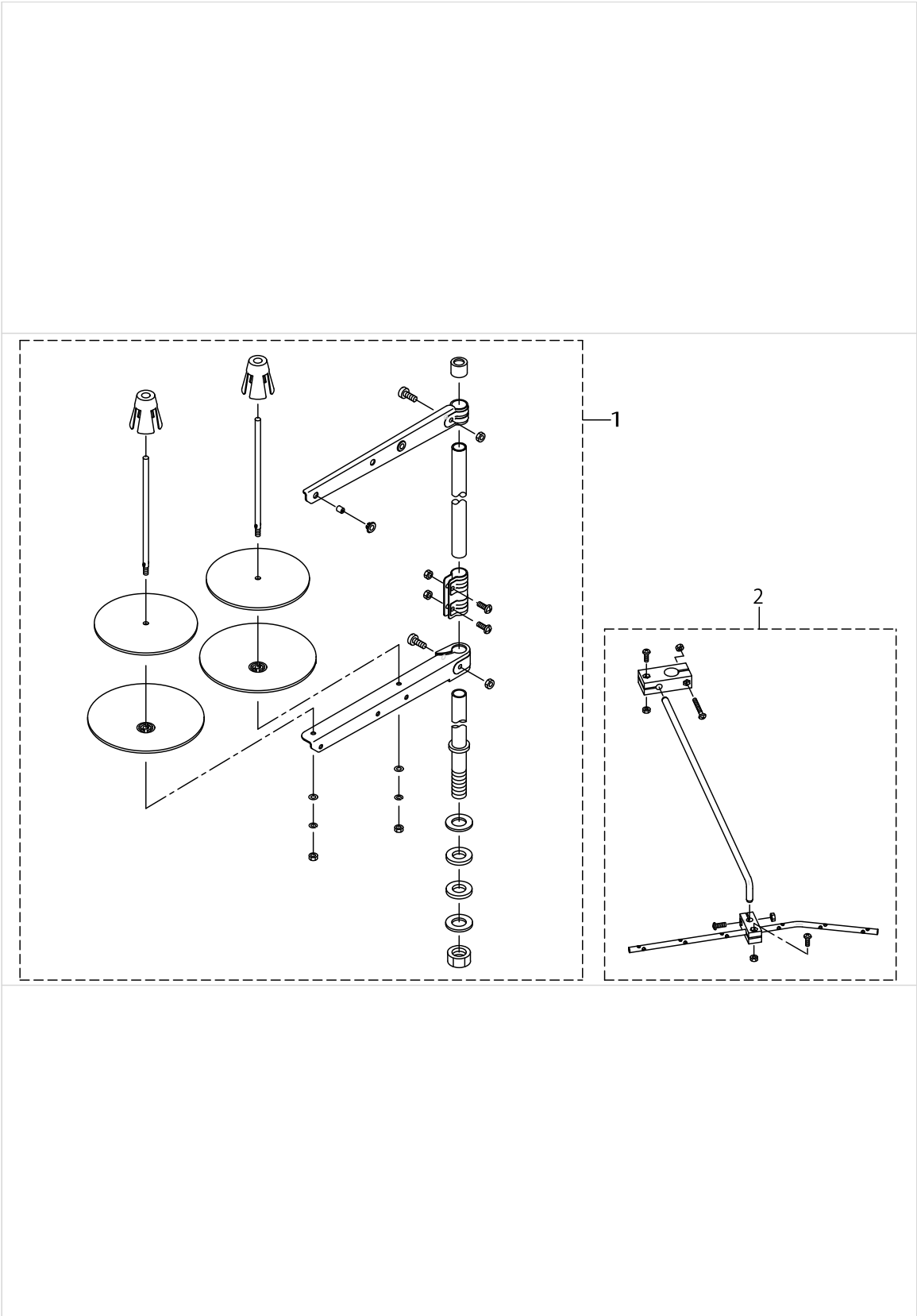
LUBRICATION COMPONENTS



LUBRICATION COMPONENTS

No.	Parts No.	Parts name	Remarks	Level	Cons	Qty
1	21433800	OIL TANK				1
2	B1203051000	OIL FELT				1
3	SS7110710SP	SCREW 11/64-40 L=7				2
4	SQ1110401MZ	CONNECTING SCREW				1
5	CQ202000000	OIL WICK				0.4
6	EA9500B0100	CABLE BAND				1

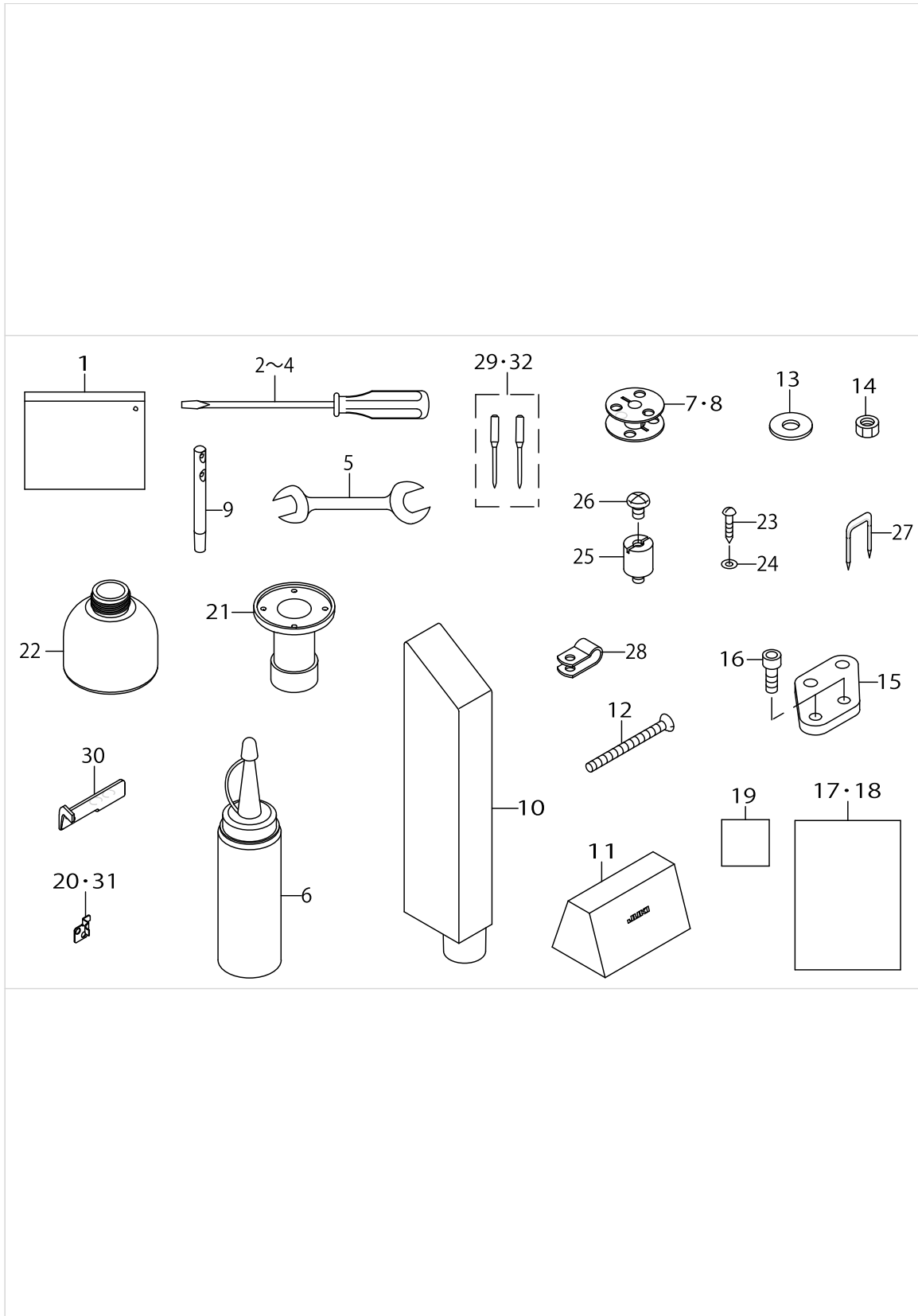
THREAD STAND COMPONENTS



THREAD STAND COMPONENTS

No.	Parts No.	Parts name	Remarks	Level	Cons	Qty
1	40096354	THREAD STAND ASM.				1
2	26910059	THREAD GUIDE ARM ASM.				1

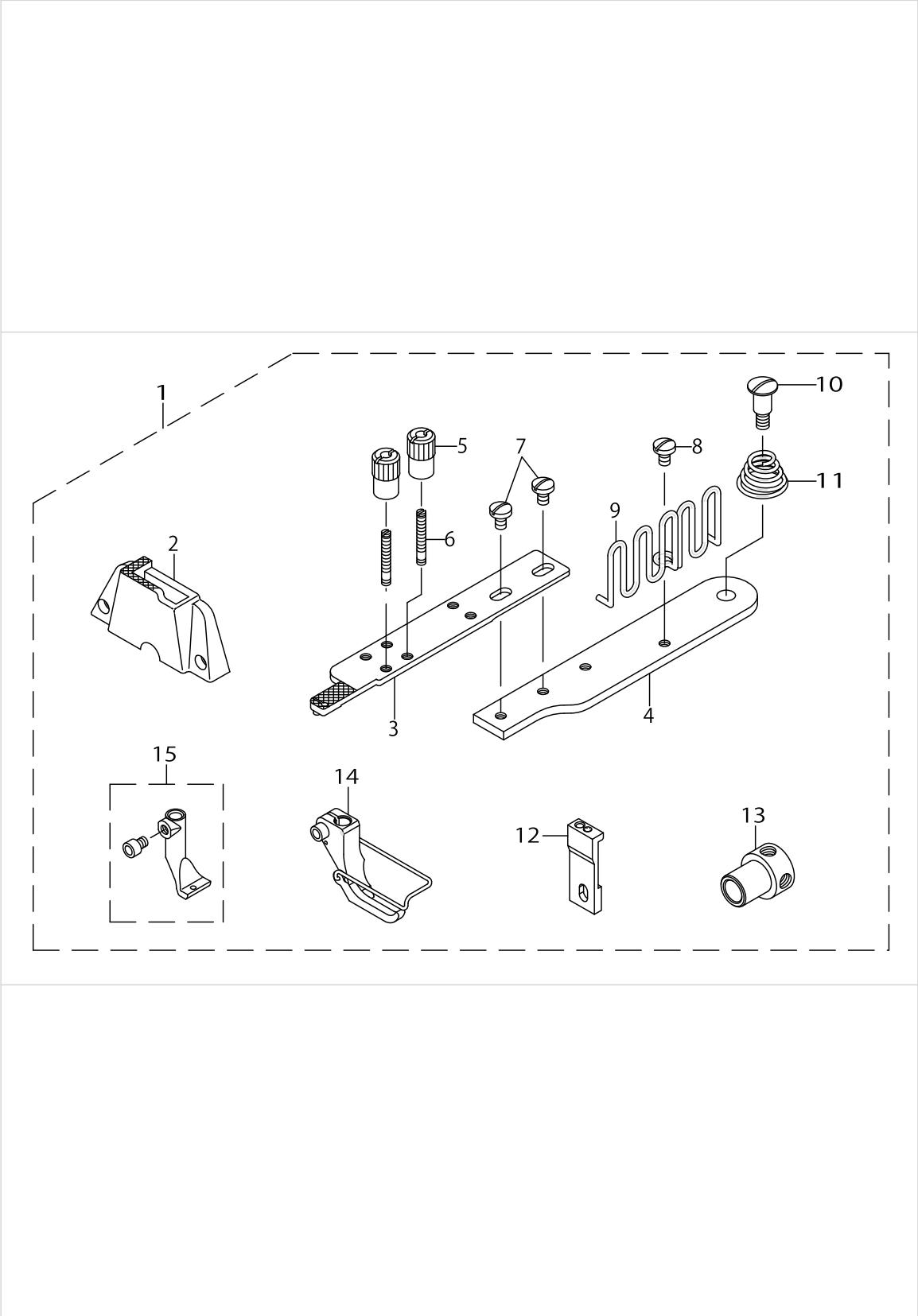
ACCESSORIES PARTS COMPONENTS



ACCESSORIES PARTS COMPONENTS

No.	Parts No.	Parts name	Remarks	Level	Cons	Qty
1	B9101552000	ACCESSORY BOX				1
2	22933006	SCREW DRIVER LARGE				1
3	22933105	SCREW DRIVER MIDDLE				1
4	22933204	SCREW DRIVER SMALL				1
5	B9113012000	WRENCH (9X10)				1
6	B91212200A0	OILER (CONTAINING NO.2 OIL)				1
7	10759603	ALUMINUM BOBBIN (DOUBLE-CUT)	FOR LS-2342S-7,LS-2342H-7			1
8	B9117201000	BOBBIN	FOR LS-2342S,LS-2342H			1
9	22958300	NEEDLE THREAD GUIDE PIN				1
10	10528800	FRAME SUPPORT BAR				1
11	40027770	VINYL COVER				1
12	B9130245000	BOLT				4
13	WP0751576SD	WASHER 7.5X19X1.5				4
14	NM6060001SD	NUT M6				8
15	40112214	EDGE_GUIDE_FITTING_PLATE				1
16	SM6051402TP	SCREW M5X0.8 L=14				2
17	CM600100201	WEEE INFORMATION SHEET	FOR EUROPE			1
18	40169769	DECLARATION OF INCORPORATION (LS2300)	FOR EUROPE			1
19	40196665	LS2342_SAFETY_NOTES				1
20	40165483	CLAMP PLATE	FOR LS-2342H-7			1
21	B8202205000	OIL MANAGEMENT				1
22	40025300	OIL POT				1
23	SK3241601SC	WOOD SCREW D=2.4 L=16				4
24	WP0320501SC	WASHER M3				4
25	40126222	CP_SPACER				2
26	SM4050855SP	SCREW				2
27	MA011532000	STAPLE				3
28	HX00150000B	CABLE CLIP				2
29	MC321001402	NEEDLE 134-35 #140-2	FOR LS-2342S,LS-2342S-7			1
30	21440102	FIXING KNIFE	FOR LS-2342S-7,LS-2342H-7			1
31	21440201	CLAMP PLATE	FOR LS-2342S-7			1
32	MC321001802	NEEDLE 134-35 #180-2	FOR LS-2342H,LS-2342H-7			1

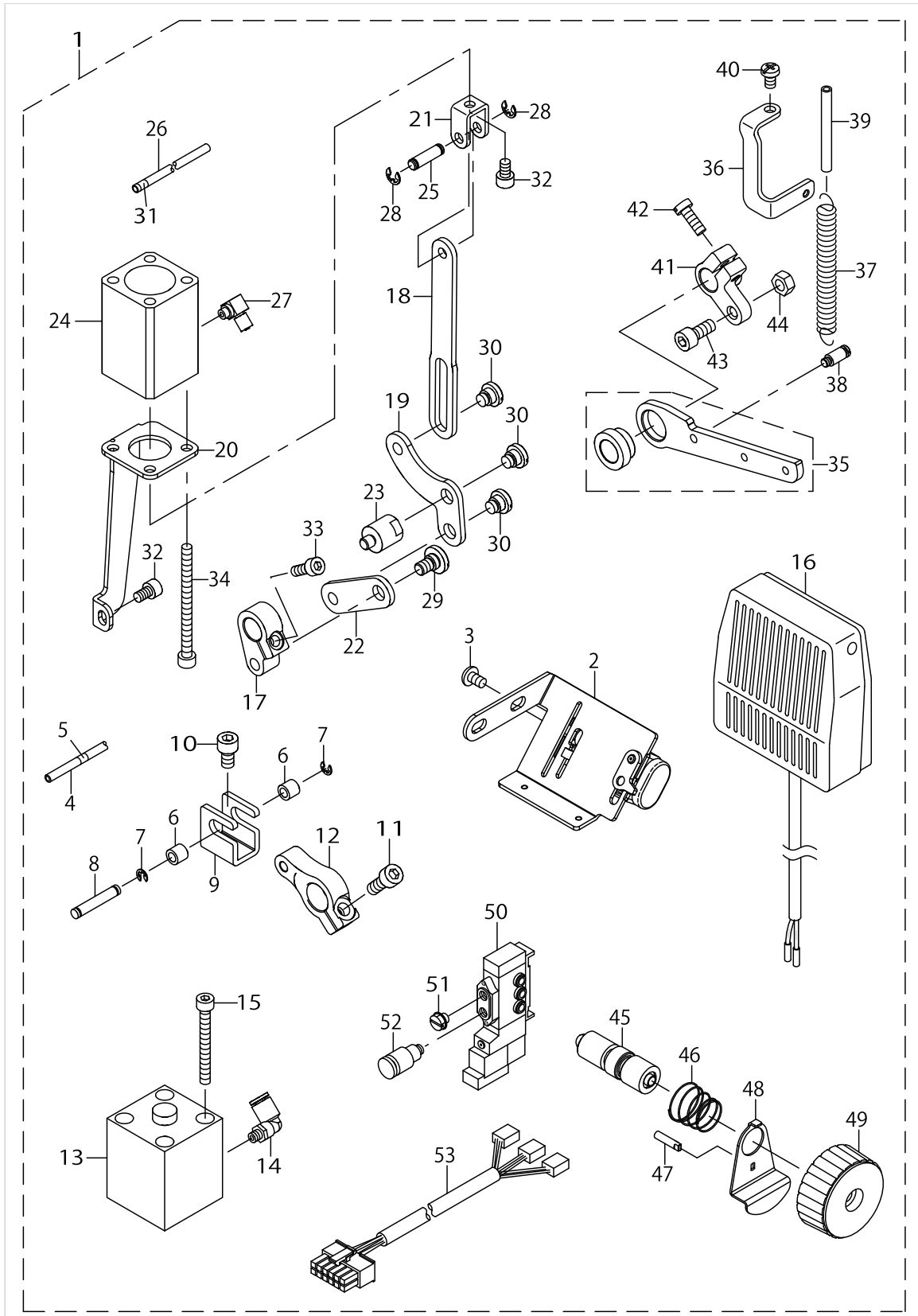
BINDER COMPONENTS (FOR LS-2342S,LS-2342H OPTIONAL PARTS)



BINDER COMPONENTS (FOR LS-2342S,LS-2342H OPTIONAL PARTS)

No.	Parts No.	Parts name	Remarks	Level	Cons	Qty
1	40160705	BINDER SET				1
2	40179289	THROAT PLATE		*		1
3	MAQ14302000	FEED PLATE A ASM.		*		1
4	MAQ14303000	FEED PLATE B		*		1
5	MAQ09205000	BINDER LOCK NUT		*		2
6	MAQ09204000	BINDER SETSCREW		*		2
7	SS7110510SP	SCREW 11/64-40 L=5		*		2
8	SS7110510SP	SCREW 11/64-40 L=5		*		1
9	MAQ09206000	TAPE GUIDE		*		1
10	SD0721112SN	HINGE SCREW D=7.24 H=11.1		*		1
11	21232004	SPRING		*		1
12	40160708	FEED		*		1
13	21445200	VERTICAL FEED CAM		*		1
14	40160706	PRESSER FOOT ASM.		*		1
15	21445051	FEED FOOT ASM.		*		1

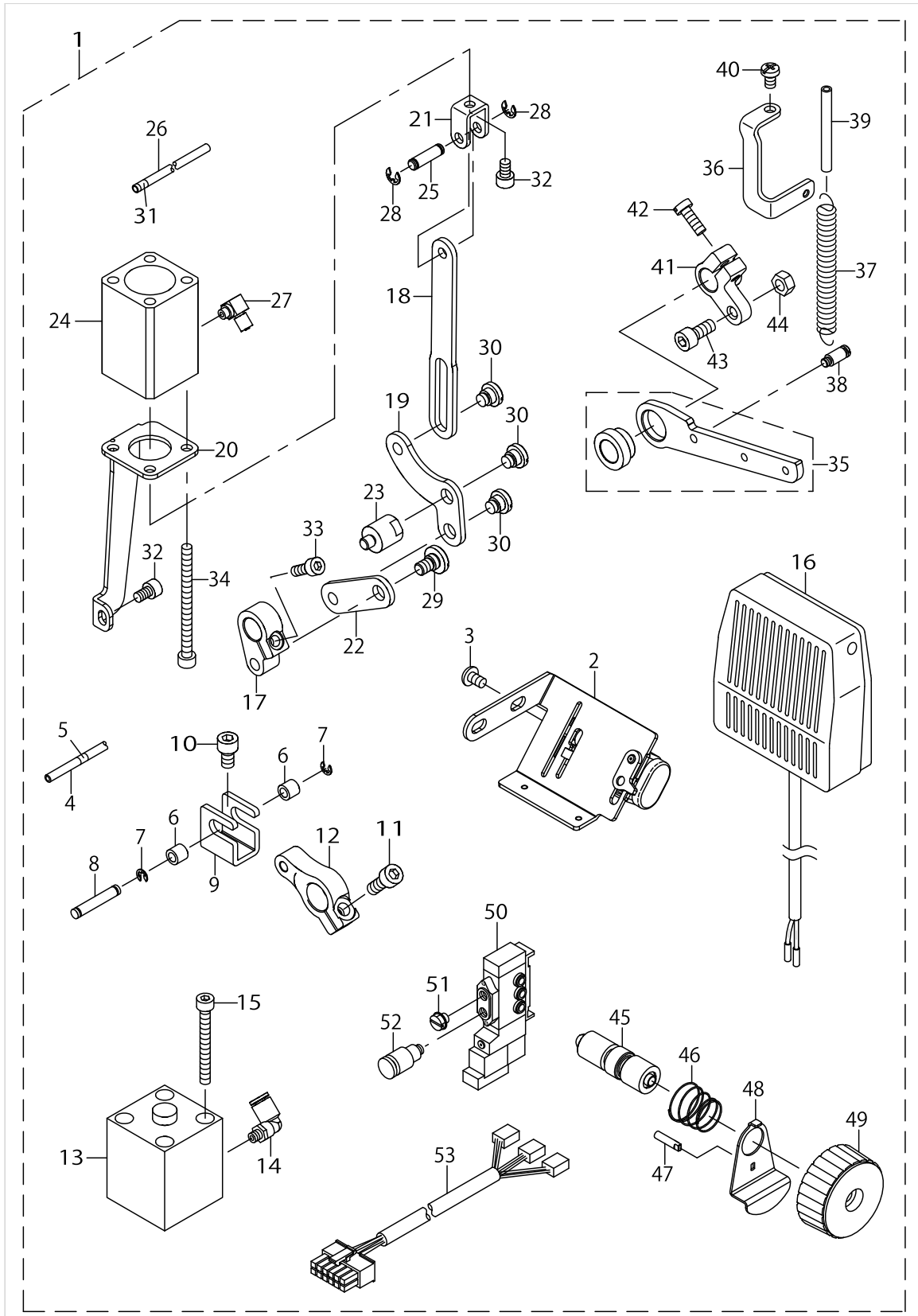
BT & DL COMPONENTS (FOR LS-2342S,LS-2342H OPTIONAL PARTS)



BT & DL COMPONENTS (FOR LS-2342S,LS-2342H OPTIONAL PARTS)

No.	Parts No.	Parts name	Remarks	Level	Cons	Qty
1	40161360	BT_DL_KIT				1
2	40130285	TB_SWITCH_ASSY		*		1
3	SM4050855SP	SCREW		*		2
4	BT0400251EB	URETHANE HOSE BLACK		*		0.51
5	18035501	WIRE MARK (6)		*		1
6	B3031141H00	CONNECTING STUD		*		2
7	RE0320000K0	E-RING 3.2		*		2
8	B1504210000	CONNECTING SHAFT		*		1
9	40112191	KNUCKLE_JOINT_B		*		1
10	SM6061002TP	SCREW M6 L=10		*		1
11	SM6061602TP	SCREW M6 L=16		*		1
12	40112192	TERTICAL_CYLINDER_ARM		*		1
13	PA250250900	AIR CYLINDER		*		1
14	PJ304040504	ELBOW UNION		*		1
15	SM6054502TP	SCREW M5X0.8 L=45		*		2
16	40143553	KNEE_SWITCH_ASM.		*		1
17	40112136	BT_ARM		*		1
18	40112137	LINK_A		*		1
19	40112138	LINK_B		*		1
20	40112140	CYLINDER_STAY		*		1
21	40112149	CYLINDER_KNUCKLE		*		1
22	40112150	LINK_C		*		1
23	40112151	BT_LINK_STUD		*		1
24	PA200350300	AIR CYLINDER		*		1
25	D2464555B00	LINK DRIVING MAGNET PIN		*		1
26	BT0400251EB	URETHANE HOSE BLACK		*		0.19
27	PJ046052503	HOSE ELBOW		*		1
28	RE0400000K0	E-RING 4		*		2
29	SD0800321TH	HINGE SCREW D=8 H=3.2		*		1
30	SD0800341SP	HINGE SCREW D=8 H=3.4		*		3
31	18035709	WIRE MARK (8)		*		1
32	SM6050802TP	SCREW M5X0.8 L=8		*		2
33	SM6051402TP	SCREW M5X0.8 L=14		*		1
34	SM6056552TP	SCREW		*		3
35	40112128	REVERSE_FEED_LEVER_PLATE_ASM		*		1
36	40125864	REVERSE_FEED_LEVER_SPRING_HOOK		*		1
37	D2629M1YC0F	SPRING		*		1
38	26229302	SUSPENSION SCREW		*		1
39	23630007	TUBE		*		0.08
40	SM4050855SP	SCREW		*		1
41	40112127	BACKWARD_FEED_CONNECTING_ARM		*		1
42	SM6051400SP	SCREW		*		1
43	SM6051202TP	SCREW M5X0.8 L=12		*		1
44	NM6050001SD	NUT M5X0.8		*		1
45	40141842	FEED_REGULATOR_SCREW		*		1
46	40141840	REGULATOR_STOPPER_SPRING		*		1
47	40177396	FEED REGULATOR PIN		*		1

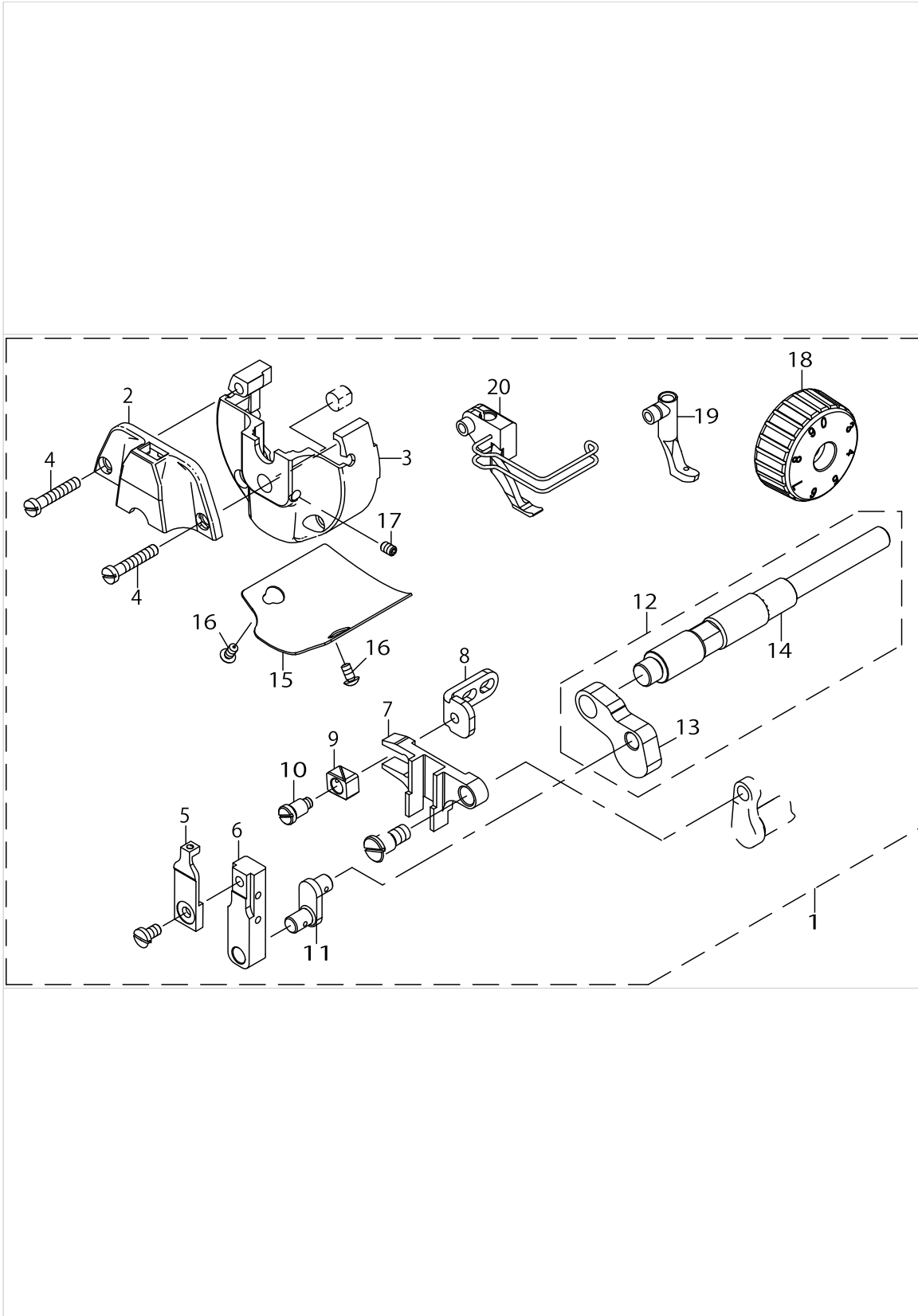
BT & DL COMPONENTS (FOR LS-2342S,LS-2342H OPTIONAL PARTS)



BT & DL COMPONENTS (FOR LS-2342S,LS-2342H OPTIONAL PARTS)

No.	Parts No.	Parts name	Remarks	Level	Cons	Qty
48	40161441	REGULATOR_PIN_STOPPER		*		1
49	40163505	FEED_DIAL(A) ASM.		*		1
50	PV150209100	SOLENOID VALVE		*		2
51	PJ020500002	PLUG		*		2
52	PJ301040502	HALF UNION 4XM5		*		2
53	40133979	SOLENOID VALVE CABLE ASM		*		1

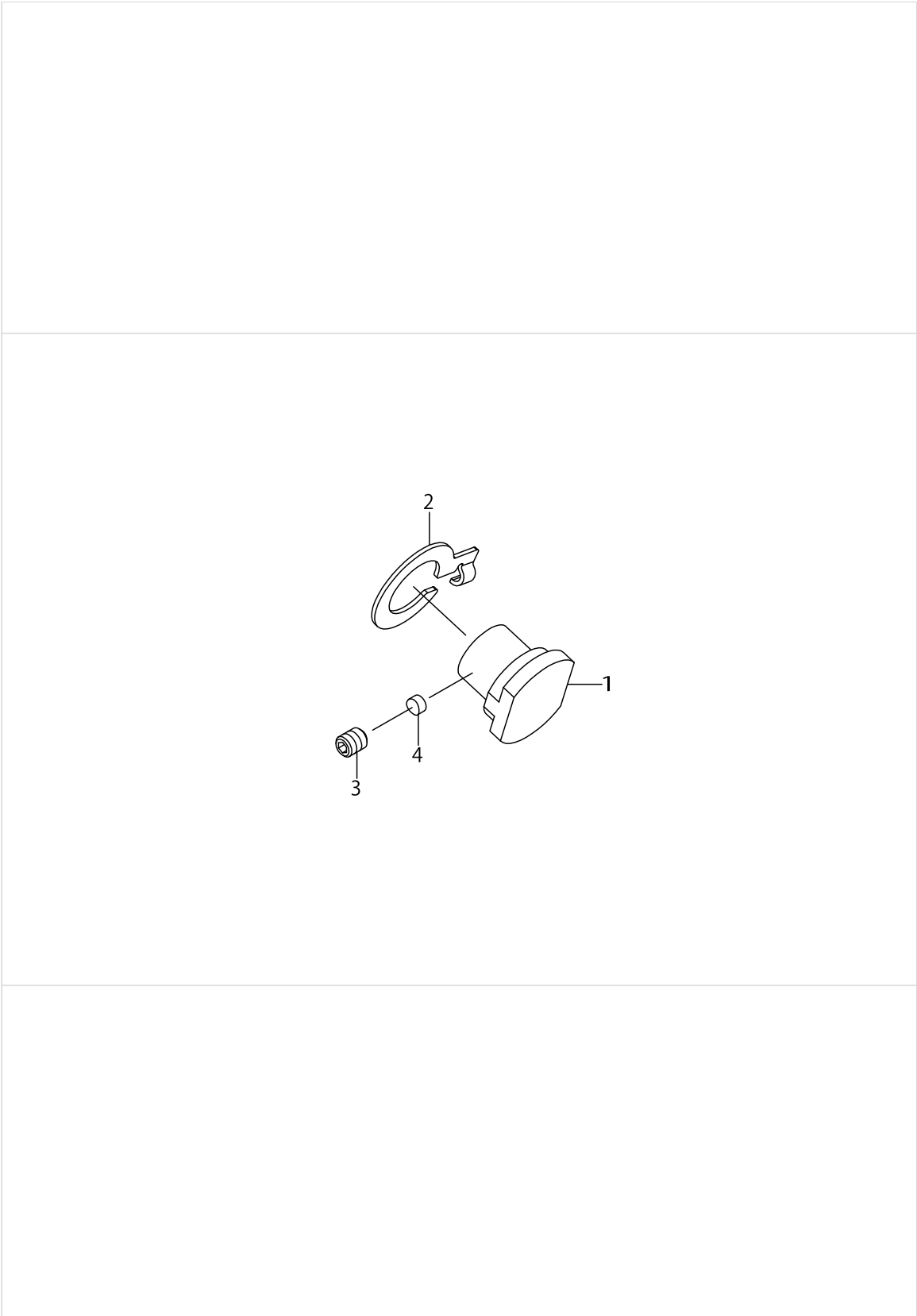
THIN CYLINDER COMPONENTS TYPE P=4 (FOR LS-2342S,LS-2342H OPTIONAL PARTS)



THIN CYLINDER COMPONENTS TYPE P=4 (FOR LS-2342S,LS-2342H OPTIONAL PARTS)

No.	Parts No.	Parts name	Remarks	Level	Cons	Qty
1	40166342	THIN CYLINDER SET				1
2	40119515	THROAT_PLATE_P4		*		1
3	40119517	THROAT_PLATE_BASE		*		1
4	SS7112420SP	SCREW 11/64-40 L=24		*		4
5	40119519	FEED_DOG_P4		*		1
6	40119520	FFED_BASE		*		1
7	40119521	HORIZONTAL_FEED_BASE		*		1
8	40119522	HORIZONTAL_FEED_BASE_SUPPORT		*		1
9	B1414232000	SQUARE BLOCK		*		1
10	SD0640752TP	HINGE SCREW D=6.35 H=7.5		*		1
11	40119523	VERTICAL_FEED_LINK		*		1
12	40119524	VERTICAL_FEED_SHAFT_ASSY		*		1
13	40119525	VERTICAL_FEED_ARM		*		1
14	40119526	VERTICAL_FEED_SHAFT		*		1
15	40119527	THROAT_PLATE_BASE_COVER		*		1
16	SS3090710TP	SCREW 9/64-40 L=7		*		2
17	SM8040612TP	SCREW M4 L=6		*		1
18	40170717	FEED_DIAL_ASSY		*		1
19	23043656	PRESSER_FOOT_ASM		*		1
20	40169770	PRESSER_FOOT_ASM		*		1

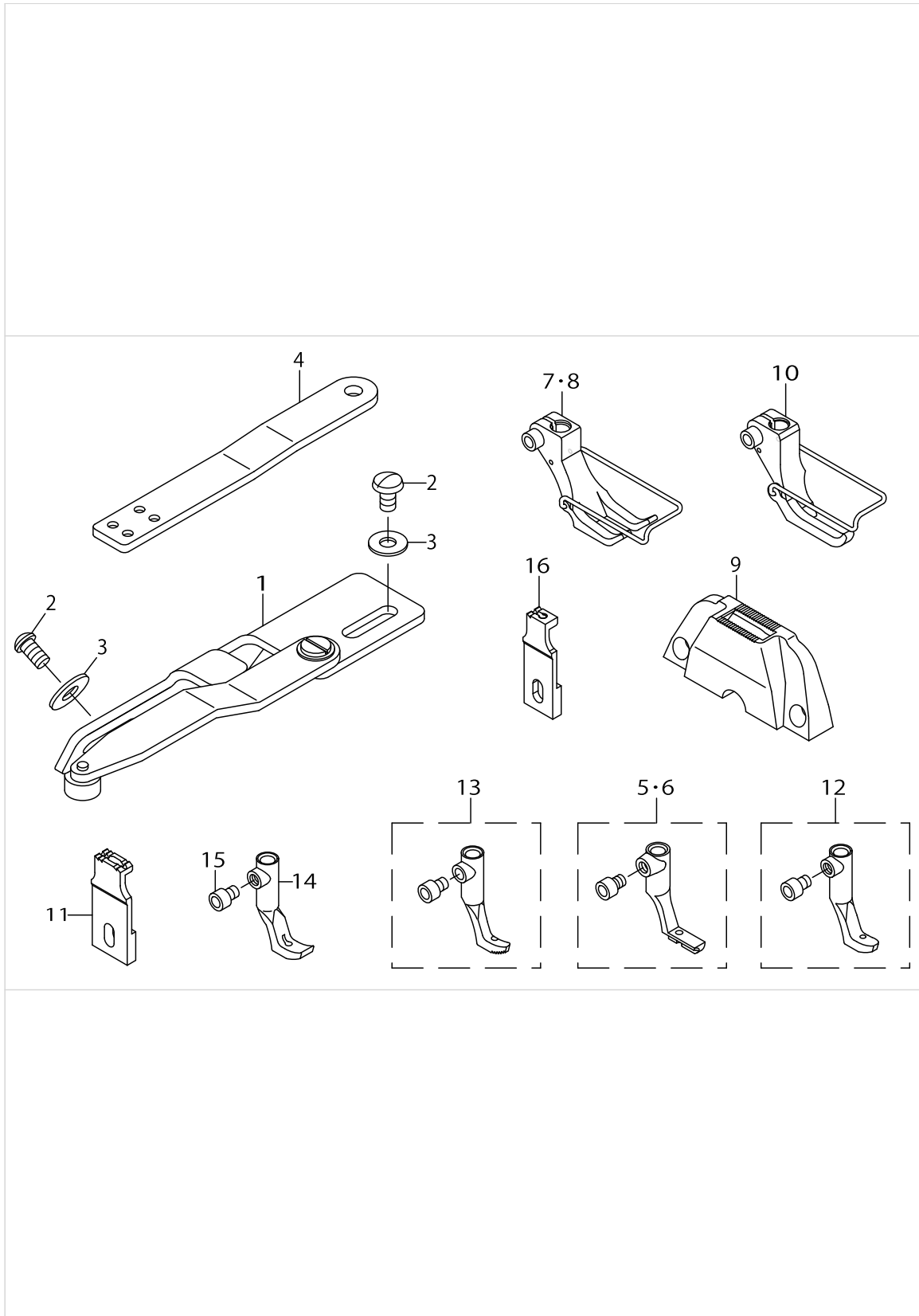
NEEDLE THREAD CLAMP COMPONENTS (LS-2342S-7,LS-2342H-7 OPTIONAL PARTS)



NEEDLE THREAD CLAMP COMPONENTS (LS-2342S-7,LS-2342H-7 OPTIONAL PARTS)

No.	Parts No.	Parts name	Remarks	Level	Cons	Qty
1	40131641	THREAD_CATCHER_ASM.				1
2	40137971	SOLENOID_CABLE HOLDER				1
3	SM8050612TP	SCREW_M5X6				1
4	40149044	SOLENOID_SPACER				1

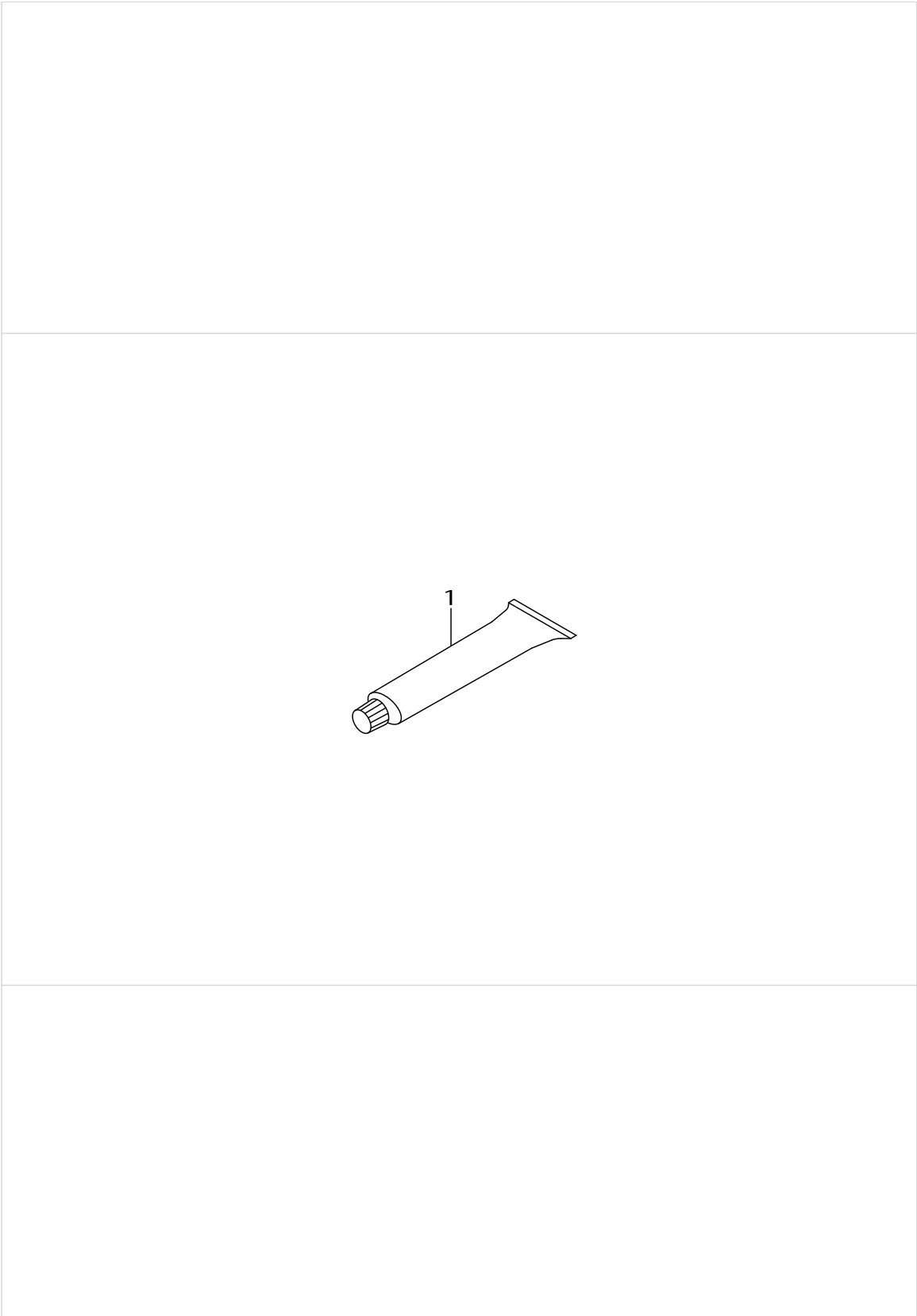
GAUGE COMPONENTS (OPTIONAL PARTS)



GAUGE COMPONENTS (OPTIONAL PARTS)

No.	Parts No.	Parts name	Remarks	Level	Cons	Qty
1	B91013400A0	EDGE GUIDE ASM.				1
2	MAM22709000	SCREW				2
3	WP0551016SH	WASHER 5.5X13X1				2
4	B9104340000	FIXING BINDER FITTING PLATE.				1
5	21445853	WELDING INNER PRESSER ASM.				1
6	21445952	WELDING INNER PRESSER ASM.				1
7	40160713	WELDING OUTER PRESSER ASM.				1
8	40160714	WELDING OUTER PRESSER ASM.				1
9	40179290	THROAT PLATE				1
10	40161454	PRESSER FOOT ASM.				1
11	40159233	FEED DOG				1
12	23043656	FEED FOOT ASM.				1
13	21445754	WALKING FOOT ASM.				1
14	21445408	PRESSER INNER FOOT				1
15	SM6040552TP	SCREW M4 L=4.5				1
16	40163507	FEED DOG				1

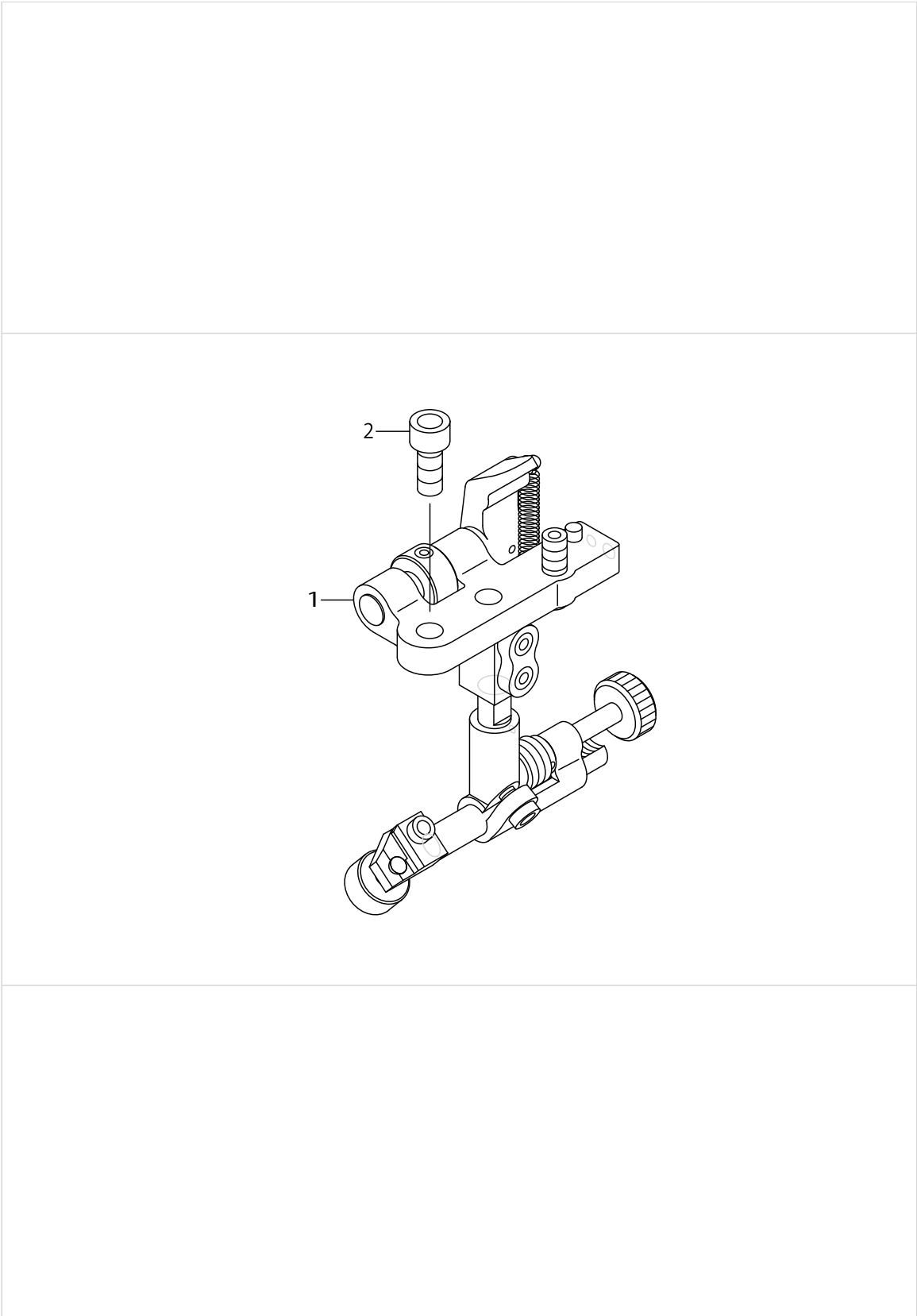
GREASE COMPONENTS (OPTIONAL PARTS)



GREASE COMPONENTS (OPTIONAL PARTS)

No.	Parts No.	Parts name	Remarks	Level	Cons	Qty
1	40006323	JUKI GREASE A TUBE				1

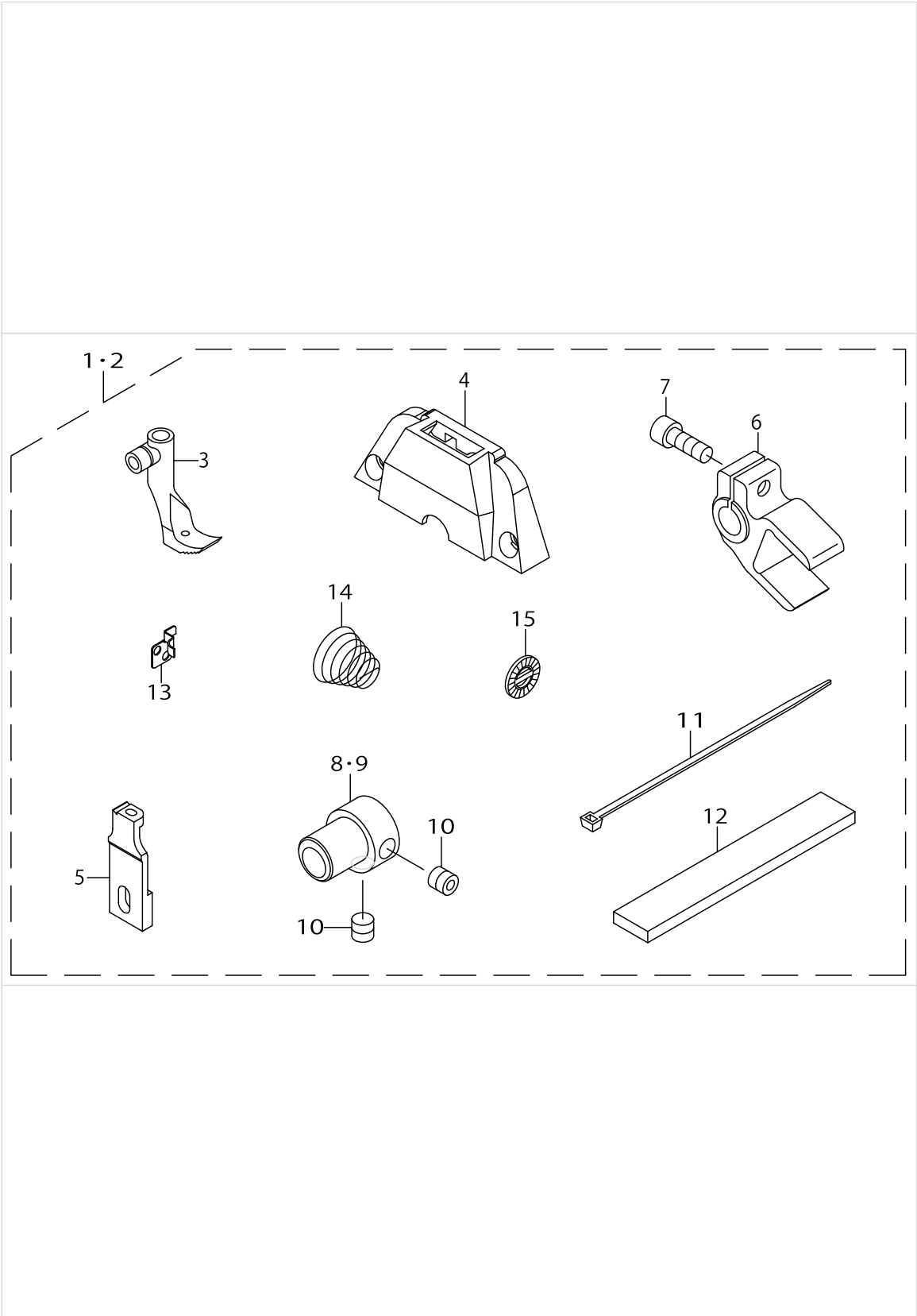
SUSPENSION SQUARE COMPONENTS (OPTIONAL PARTS)



SUSPENSION SQUARE COMPONENTS (OPTIONAL PARTS)

No.	Parts No.	Parts name	Remarks	Level	Cons	Qty
1	MAH152010A0	RULER				1
2	SM6061402TP	SCREW M6 L=14				2

THICK THREAD SPECIFICATIONS COMPONENTS (FOR LS-2342S,LS-2342S-7 OPTIONAL PARTS)



THICK THREAD SPECIFICATIONS COMPONENTS (FOR LS-2342S,LS-2342S-7 OPTIONAL PARTS)

No.	Parts No.	Parts name	Remarks	Level	Cons	Qty
1	40165966	THICK THREAD SPECIFICATIONS SET	FOR LS-2342S			1
2	40165967	THICK THREAD SPECIFICATIONS SET	FOR LS-2342S-7			1
3	10712354	FEED FOOT ASM.	FOR LS-2342S	*		1
4	40179198	THROAT PLATE		*		1
5	40162643	FEED DOG		*		1
6	21429808	FEED ROCKER SHAFT CRANK		*		1
7	SM6051402TP	SCREW M5X0.8 L=14		*		1
8	40092359	VERTICAL FEED TRIANGLE CAM	FOR LS-2342S	*		1
9	21429907	VERTICAL FEED TRIANGLE CAM	FOR LS-2342S-7	*		1
10	SS8150822TP	SCREW 15/64-28 L=8		*		2
11	EA9500B0100	CABLE BAND		*		2
12	40019128	VERTICAL FEED BRANCH FELT		*		1
13	40165483	CLAMP PLATE	FOR LS-2342S-7	*		1
14	B3129053000	TENSION SPRING		*		1
15	22921407	ROTATION STOPPER		*		1

HOW TO MAKE USE OF THIS PARTS LIST

1.Explanation of codes

1)"*"mark.....means this part is changed from the previous parts book.

As to the details of the change, refer to the "List for information of change".

2)"#01".....refer to "Note" explanation at bottom of page.

2.Codes on the "Qty" column

- Each numeral indicates the number of parts required.
- "0.1" and "2.5" indicate the length (in meters) of the respective parts.

3.Parentheses mean that the corresponding part is a subpart that constructs an assembly part.

4.Dotted lines on the Figures indicate assembly parts.

5.As to the parts with marks of "☆"(consumable parts) and "◎"(optional parts)on the respective parts, it is recommended to prepare spares.

1 ."注記"欄の記号説明

1) "*"印.....前回のパーツブックに比較して今回変更された部品を意味します。

変更内容は、"変更情報リスト"を参照してください。

2) "#01".....ページ下の"注記"の説明を参照してください。

2.数量欄の数字は、個数を表し、0.1、2.5等の数値は、長さ（単位メートル）を表します。

3.数量欄の（ ）は、組部品を構成している子部品であることを意味します。

4.イラストページの-----枠は、組構成であることを意味します。

5.リストページの"☆"（消耗部品）、"◎"（オプション部品）の印がついた部品は、予備を準備しておくことをお奨めします。

NUMERICAL INDEX OF PARTS

PART NO	PAGE	REF NO.	PART NO	PAGE	REF NO.	PART NO	PAGE	REF NO.
10320109	42	25	21428503	26	76	22607709	8	17~24
10528800	56	10	21429006	24	47	22607808	8	17~24
10546901	6	35	21429105	26	51	22607907	8	17~24
10622009	40	43	21429204	26	82	22617807	42	37
10697506	42	35	21429402	10	28·86·87	22618201	42	19
10711653	16	10·77	21429600	26	58·86	22618706	42	24
10712354	18	10·77	21429709	26	53	22901805	2	5
10712354	74	3	21429808	26	83	22902506	2	10
10721306	28	23	21429808	74	6	22904155	18	52
10721504	6	21	21429907	12	28·86·87	22911804	28	7
10746709	26	56	21429907	74	8·9	22912109	28	47
10758456	18	74	21431200	12	60	22912257	42	1
10759603	12	41·76	21433305	22	6	22912307	22	40
10759603	56	7	21433354	22	5	22913008	18	75
12288908	24	37	21433404	22	32	22913008	24	1
12938304	42	39	21433503	22	23	22921308	50	32
13160304	22	13	21433800	52	1	22921407	42	42
13409107	20	10	21439005	40	1	22921407	50	31
13424502	30	70	21439104	40	9	22921407	74	15
13518501	28	6	21439203	40	11	22921506	42	31
13718507	50	16	21439302	40	14	22921506	50	33
13817408	42	18	21439401	40	17	22921704	50	29
13860408	48	12	21439500	40	18	22932404	22	4
13951009	20	22	21439609	40	21	22933006	56	2~4
18035006	30	67·68	21439708	40	23	22933105	56	2~4
18035105	30	67·68	21439906	40	27	22933204	56	2~4
18035303	20	13	21440003	40	30	22934202	22	9
18035501	32	6	21440102	40	38	22934301	22	10
18035501	60	5	21440102	56	30	22934400	22	8
18035709	34	27	21440201	40	40·44	22934509	22	7
18035709	60	31	21440201	56	20·31	22934707	22	3
21048707	26	81	21440300	40	42	22945505	42	11·14
21220413	4	52	21440508	40	19	22945703	42	9
21223409	10	32	21440607	40	36	22945802	42	10
21223508	10	35	21445051	58	15	22949101	20	17
21227301	12	59·74	21445200	58	13	22954309	42	2
21232004	58	11	21445408	68	14	22958300	56	9
21387600	12	67	21445754	68	13	22963409	42	11·14
21387709	12	68	21445853	68	5·6	23043656	64	19
21387808	10	16	21445952	68	5·6	23043656	68	12
21387907	10	17	22528509	42	45	23100506	4	51
21426606	4	50	22606206	8	17~24	23102205	12	59·74
21426903	2	44	22606305	8	17~24	23102700	10	36
21427703	26	71	22606404	8	17~24	23104201	40	3
21428404	26	77	22607600	8	17~24	23534506	30	73

NUMERICAL INDEX OF PARTS

PART NO	PAGE	REF NO.	PART NO	PAGE	REF NO.	PART NO	PAGE	REF NO.
23600505	2	20	40029253	12	50·71	40112091	6	27
23605207	6	12	40033825	28	26	40112092	6	28
23613409	28	24	40034674	4	74	40112093	6	29
23613904	22	38	40034675	4	73	40112094	6	30
23613953	22	37	40038494	16	35	40112106	6	5
23630007	28	17	40038494	24	19	40112118	24	9
23630007	60	39	40042716	4	75	40112127	28	11
23631708	34	21	40077931	30	58	40112127	60	41
23631807	34	22	40079898	12	4·79	40112128	28	12·13
23631906	34	23	40079899	12	6·80	40112128	60	35
23632102	34	19	40079900	12	7·81	40112136	34	1
23638406	38	2	40079902	10	14	40112136	60	17
26017400	24	38	40079903	10	15	40112137	34	2
26018705	24	32	40079904	10	5	40112137	60	18
26229302	28	28	40079905	10	8	40112138	34	3
26229302	60	38	40079912	10	10	40112138	60	19
26260109	50	2	40084142	2	22	40112140	34	4
26260307	50	3	40086018	20	24	40112140	60	20
26260406	50	4	40086018	30	69	40112149	34	5
26260505	50	6	40086679	46	15	40112149	60	21
26260802	50	8	40088958	50	28	40112150	34	6
26261008	50	9	40088959	50	30	40112150	60	22
26261503	50	11	40090058	16	17	40112151	34	7
26910059	54	2	40090101	30	74	40112151	60	23
32055501	46	6	40090318	4	55	40112152	8	9
40006323	70	1	40090323	4	57	40112184	20	3
40006716	20	2	40090530	12	49	40112187	20	14
40010437	6	22	40090727	26	55	40112188	20	15
40010438	6	23	40091245	26	62	40112191	32	7
40010439	6	24	40091250	24	45	40112191	60	9
40010440	6	25	40091254	24	46	40112192	32	11
40010533	6	38	40091315	26	49	40112192	60	12
40010534	6	39	40091899	12	51·72	40112197	16	47
40010535	6	40	40091908	12	50·71	40112199	18	48
40010709	8	1	40092359	12	28·86·87	40112204	42	21
40011144	50	27	40092359	74	8·9	40112213	34	20
40011902	6	31	40094561	2	30	40112214	56	15
40019128	26	58·86	40094670	4	70	40112215	36	3
40019128	74	12	40094671	4	69	40112216	36	5
40023627	16	21	40095001	4	71	40112218	42	22
40025300	56	22	40096354	54	1	40112219	42	23
40027770	56	11	40101720	22	28	40112228	2	37
40029246	12	52·73	40102261	2	4	40112267	30	55
40029248	12	52·73	40105510	36	2	40112270	8	14
40029250	12	51·72	40112087	6	1	40112272	8	15

NUMERICAL INDEX OF PARTS

PART NO	PAGE	REF NO.	PART NO	PAGE	REF NO.	PART NO	PAGE	REF NO.
40112273	8	11	40125927	50	13	40126550	50	12
40112281	28	14	40125928	50	24	40126555	28	15-16
40112282	28	15-16	40125930	6	32	40126561	28	5
40112312	6	3	40125934	28	2	40126562	46	14
40113224	10	23	40125939	6	34	40126563	46	13
40119515	64	2	40125943	16	18	40126594	50	5
40119517	64	3	40125948	46	2	40126642	30	51
40119519	64	5	40125949	46	4	40126643	30	56
40119520	64	6	40125950	6	6	40126724	42	34
40119521	64	7	40126116	28	20	40127041	8	10
40119522	64	8	40126127	48	11	40127049	6	33
40119523	64	11	40126128	48	7-21	40130277	6	4
40119524	64	12	40126150	20	4	40130285	34	18
40119525	64	13	40126151	24	6	40130285	60	2
40119526	64	14	40126157	18	63	40130286	34	25
40119527	64	15	40126158	18	64	40130287	36	1
40122887	28	8	40126159	18	62	40130288	36	4
40123252	24	17	40126160	16	31	40130289	38	1
40123319	16	27	40126221	2	24	40130290	38	5
40123332	24	15	40126222	56	25	40130291	46	11
40123345	18	72	40126223	16	34	40130702	6	2
40123345	24	34	40126244	6	26	40130703	2	17
40123346	24	35	40126259	38	4	40130704	2	9
40123416	16	38	40126263	46	3	40130705	2	1
40123547	24	7	40126264	16	37	40130706	2	15
40123626	24	5	40126265	42	3	40131641	66	1
40123628	28	19	40126269	16	36	40131887	28	4
40123629	24	8	40126311	50	14	40133979	62	53
40123634	16	20	40126338	16	33	40133982	48	6-20
40123634	24	10	40126339	24	16	40133983	48	7-21
40123639	24	14	40126354	50	10	40134805	2	33
40125844	50	25	40126355	50	1	40134959	28	30
40125850	18	50	40126362	28	12-13	40135014	16	23
40125851	50	7	40126363	28	1	40136296	8	7
40125858	30	49	40126364	20	6	40136701	22	18
40125864	28	22	40126367	20	1	40137971	66	2
40125864	60	36	40126374	16	45	40139345	46	1
40125867	16	22	40126375	24	12	40139455	46	17
40125868	18	65	40126390	16	32	40141840	28	42
40125872	2	36	40126400	18	49	40141840	60	46
40125873	42	4	40126401	24	4	40141842	28	41
40125876	18	71	40126402	8	5	40141842	60	45
40125919	28	3	40126404	42	33	40142199	28	21
40125920	28	39	40126545	48	6-20	40143083	6	11
40125926	16	46	40126549	50	23	40143220	8	6

NUMERICAL INDEX OF PARTS

PART NO	PAGE	REF NO.	PART NO	PAGE	REF NO.	PART NO	PAGE	REF NO.
40143221	8	25	40159451	40	25	40162682	24	43
40143553	48	10	40159453	2	42	40163081	4	63
40143553	60	16	40159461	4	60	40163082	10	47
40144283	20	5	40160085	4	67	40163496	26	59
40144289	16	1	40160156	4	59	40163499	12	83·85
40145548	16	42~44	40160157	2	41	40163500	12	82·84
40145549	16	42~44	40160158	2	45	40163501	12	83·85
40145550	16	42~44	40160160	2	35	40163502	12	82·84
40147919	2	34	40160259	22	24	40163505	28	45·46
40148034	10	4·79	40160403	6	9	40163505	62	49
40148035	10	6·80	40160404	10	18	40163506	28	45·46
40148036	10	7·81	40160476	12	54~58	40163507	68	16
40149044	66	4	40160477	12	54~58	40165483	40	40·44
40149115	18	66~69	40160478	12	54~58	40165483	56	20·31
40149116	18	66~69	40160479	12	54~58	40165483	74	13
40149117	18	66~69	40160552	22	30	40165966	74	1·2
40149118	18	66~69	40160705	58	1	40165967	74	1·2
40149120	16	2~5	40160706	58	14	40166342	64	1
40149121	16	2~5	40160708	58	12	40169769	56	17·18
40149122	16	2~5	40160713	68	7·8	40169770	64	20
40149123	16	2~5	40160714	68	7·8	40170717	64	18
40149125	16	6~9	40161345	10	1·77	40176347	42	5·6
40149126	16	6~9	40161346	10	2·78	40176349	42	16·17
40149127	16	6~9	40161347	10	3	40177396	28	43·77
40149128	16	6~9	40161353	10	9	40177396	60	47
40150131	2	32	40161354	10	12	40178025	10	38
40151791	50	15	40161355	10	13	40178026	12	89
40152022	50	35	40161356	10	11	40179196	14	94
40152451	8	2	40161360	60	1	40179197	4	53·72
40154199	16	19	40161361	10	43	40179198	4	53·72
40155956	42	5·6	40161362	10	44	40179198	74	4
40155958	42	7	40161440	30	43·77	40179210	4	78
40155960	42	8	40161441	28	44	40179232	10	42
40155994	42	12	40161441	62	48	40179279	26	74
40158781	26	66	40161453	24	41·72	40179289	58	2
40158782	22	29	40161454	68	10	40179290	68	9
40158783	22	21	40161459	42	16·17	40196665	56	19
40158784	22	15	40161501	12	69	40203683	22	1
40158785	24	13	40161502	22	34	A407855000A	26	57·85
40158786	22	35	40161864	10	19	B1116246000	4	65
40158913	6	10	40162643	26	41·72	B1132521000	4	76
40158925	22	12	40162643	74	5	B1203051000	52	2
40159231	10	40	40162678	12	1·77	B1301340000	10	30
40159233	68	11	40162679	12	2·78	B1308055000	10	20
40159234	26	61	40162681	26	63	B1310055000	10	21

NUMERICAL INDEX OF PARTS

PART NO	PAGE	REF NO.	PART NO	PAGE	REF NO.	PART NO	PAGE	REF NO.
B1314055000	10	22	CQ202000000	16	76	MC321001802	56	29·32
B1414232000	64	9	CQ202000000	18	76	NM6030001SC	46	7
B1438512B00	8	17~24	CQ202000000	24	25	NM6030003SC	2	43
B1504210000	32	1	CQ202000000	52	5	NM6050001SD	22	20
B1504210000	60	8	CQ252000000	8	29	NM6050001SD	28	29
B1607246000	26	67	CQ252000000	16	56	NM6050001SD	60	44
B1639051000	10	34	CQ252000000	18	56	NM6050001SP	48	19
B1803246000	12	64	CS0950816SH	40	8	NM6060001SD	16	25
B1820246000	12	54~58	CS1111019SH	26	69	NM6060001SD	56	14
B1836246000A	12	62	CS111101CSH	26	68	NM6060001SE	22	27
B185351200AA	40	31~35	CS1201010SH	22	36	NS6110310SP	22	22
B185351200BA	40	31~35	CS1201010SH	30	71	NS6110310SP	42	43
B185351200CA	40	31~35	CS1701181TP	8	3	NS6660430SP	26	65
B185351200D	40	31~35	D1231555B00	18	51	NS6680410SP	24	33
B185351200E	40	31~35	D1231555B00	24	18	PA200150900	30	66
B2415373N00	40	28	D2112555B00	2	28	PA200350300	34	8
B3013141H0B	4	64	D2464555B00	34	9	PA200350300	60	24
B3031141H00	32	3	D2464555B00	60	25	PA250250900	32	12
B3031141H00	60	6	D2629M1YC0F	28	27	PA250250900	60	13
B3112704000	42	41	D2629M1YC0F	60	37	PA400150200	20	16
B3129053000	42	40	E2613700000	16	26	PF055107000	48	14
B3129053000	74	14	EA9500B0100	26	57·85	PJ020500002	62	51
B31375270A0	42	36	EA9500B0100	30	50	PJ025100003	48	13
B8131019000	22	14	EA9500B0100	34	26	PJ046052503	30	54
B8202205000	56	21	EA9500B0100	46	16	PJ046052503	34	10
B91013400A0	68	1	EA9500B0100	48	5	PJ046052503	60	27
B9101552000	56	1	EA9500B0100	52	6	PJ301040502	62	52
B9104340000	68	4	EA9500B0100	74	11	PJ304040504	32	5
B9113012000	56	5	EA9500B0200	48	4	PJ304040504	60	14
B9117201000	10	41·76	GAW01507000	12	53	PJ304045102	20	21
B9117201000	56	8	HK034610140	46	18	PJ304065101	48	15
B91212200A0	56	6	HK03464000B	40	6	PS0200102KH	10	33
B9130245000	56	12	HX00150000B	56	28	PS0200102KH	24	44
BT0400251EB	20	12	HX00150000M	48	8	PV150209100	62	50
BT0400251EB	30	52·53	MA011532000	56	27	RC0150001KP	18	53
BT0400251EB	32	2	MAH152010A0	72	1	RC0150001KP	24	40
BT0400251EB	34	28	MAM22709000	68	2	RC0560711KP	50	17
BT0400251EB	60	26	MAQ09204000	58	6	RE0320000K0	32	4
BT0500300EA	12	66	MAQ09205000	58	5	RE0320000K0	60	7
BT0600401EB	48	1	MAQ09206000	58	9	RE0400000K0	20	23
BT0800501EB	48	2	MAQ14302000	58	3	RE0400000K0	34	11
CM300200001	2	8	MAQ14303000	58	4	RE0400000K0	60	28
CM600100101	2	31	MC321001400	8	16·31	RE0500000K0	18	57
CM600100201	56	17·18	MC321001402	56	29·32	RE0500000K0	42	46
CQ202000000	12	61	MC321001800	8	16·31	RO037180100	42	26

NUMERICAL INDEX OF PARTS

PART NO	PAGE	REF NO.	PART NO	PAGE	REF NO.	PART NO	PAGE	REF NO.
SB108002400	6	36	SM4030601SC	2	46	SM6051602TP	28	62
SB120001800	6	13	SM4040655SP	2	25	SM6051602TP	30	62
SB120002700	6	16	SM4040855SP	2	21	SM6051802TP	20	8
SB125000600	18	58	SM4050501SC	8	26	SM6054502TN	20	20
SB130000200	24	26	SM4050855SP	2	29	SM6054502TP	32	10
SB30953010A	12	90~93	SM4050855SP	28	32	SM6054502TP	60	15
SB30953010B	12	90~93	SM4050855SP	34	14	SM6056552TP	34	17
SB30953010C	12	90~93	SM4050855SP	44	47	SM6056552TP	60	34
SB30953010D	12	90~93	SM4050855SP	48	9	SM6061002TP	2	38
SD0380556TL	4	77	SM4050855SP	56	26	SM6061002TP	32	8
SD0450401SP	42	27	SM4050855SP	60	40	SM6061002TP	60	10
SD0500701TP	22	19	SM4051001SN	42	44	SM6061010TP	30	60
SD0550271TP	46	8	SM4051055SP	2	61	SM6061202TP	16	13
SD0600321SP	40	16	SM4051055SP	4	61	SM6061402TP	72	2
SD0600352SP	40	15	SM4051255SP	46	12	SM6061602TP	20	19
SD0600452TP	40	12	SM4055501SC	2	3	SM6061602TP	30	61
SD0640322TP	10	24	SM6020250TP	14	95	SM6061602TP	32	9
SD0640631TP	40	26	SM6030602TP	46	9	SM6061602TP	60	11
SD0640752TP	64	10	SM6031202TP	50	20	SM6061802TP	24	27
SD0721112SN	58	10	SM6040552TP	68	15	SM6062002TP	16	14
SD0790451SP	40	13	SM6040602TP	40	4	SM6081552TP	20	18
SD0790701SP	26	64	SM6040650TP	8	8	SM8040402TP	4	58
SD0800321TH	34	12	SM6040650TP	18	59	SM8040612TP	64	17
SD0800321TH	60	29	SM6040650TP	24	36	SM8050402TP	26	54
SD0800341SP	34	13	SM6040860TP	50	19	SM8050412TP	28	64
SD0800341SP	60	30	SM6050800SP	24	39	SM8050412TP	30	64
SD0800346TP	30	57	SM6050802TP	20	9	SM8050502TP	50	21
SD0800352SP	4	66	SM6050802TP	30	59	SM8050612TP	24	30
SD0802126TP	16	24	SM6050802TP	34	15	SM8050612TP	66	3
SD0900426TP	30	65	SM6050802TP	60	32	SM8050812TP	6	7
SD0900701TP	24	11	SM6051000SP	18	60	SM8050812TP	24	29
SK3241601SC	56	23	SM6051202TP	12	48·75	SM8050842TP	24	28
SK3482001SE	48	17	SM6051202TP	28	34	SM8051002TP	50	36
SL4040691SC	38	6	SM6051202TP	48	16	SM8060552TP	16	16
SL4040881SC	28	31	SM6051202TP	60	43	SM8060612TP	4	68
SL4041091SC	48	3	SM6051400SP	28	33	SM8060612TP	6	19
SL4041491SC	36	6	SM6051400SP	60	42	SM8060612TP	8	4
SL4051091SC	2	39	SM6051402TP	26	84	SM8060612TP	16	15
SL6052592TN	6	17	SM6051402TP	34	16	SM8060612TP	20	7
SM0030601SC	50	18	SM6051402TP	56	16	SM8060612TP	24	31
SM0050801SC	18	61	SM6051402TP	60	33	SM8060612TP	28	76
SM0051001SC	50	34	SM6051402TP	74	7	SM8060612TP	30	76
SM1040750TP	2	26	SM6051552TP	12	48·75	SM8060812TP	6	37
SM1061201SN	10	25	SM6051552TP	22	16	SM80608A2TP	6	14
SM4021601SN	38	3	SM6051602TP	22	33	SM80608A2TP	18	70

NUMERICAL INDEX OF PARTS

PART NO	PAGE	REF NO.	PART NO	PAGE	REF NO.
SM8063012TR	22	26	SS8111010TP	10	26
SM8080812TP	6	20	SS8150432TH	10	37
SM9061203SE	22	11	SS8150510TP	26	73
SM9061613SC	22	2	SS8150710TP	10	31
SQ1110401MZ	52	4	SS8150822TP	12	29·88
SS1092810SP	10	45	SS8150822TP	74	10
SS2060310SP	8	13	SS8660530TP	22	31
SS2090520SL	4	49	SS8660610TP	26	70
SS3090710TP	42	28	SS8660612TP	10	63
SS3090710TP	64	16	SS8660612TP	12	63
SS4090515SP	46	5	SS8660612TP	40	7
SS4110615SP	42	29	SS8661012TP	44	48
SS4110815SP	42	15	SS9152130CP	26	79
SS5110710SP	2	47	TA0500301R0	8	27
SS6060220SP	40	41	TA0620504R0	8	28
SS6090620TP	40	39	TA0750404R0	10	39
SS6110480SP	40	37	TA0750404R0	30	75
SS6110610TP	26	60	TA1030402R0	2	11
SS6110710TP	40	10	TA1250406R0	2	13
SS6121210SP	40	29	TA1250504R0	4	48
SS6121220TP	26	48	TA1270502R0	2	12
SS6121610TP	22	39	TA1550902R0	2	40
SS6121610TP	26	75	TA1650406R0	2	6
SS6121850TP	26	52	WP0320501SC	56	24
SS6121860SP	28	48	WP0320501SE	46	10
SS6121860SP	30	48	WP0430800SD	16	41
SS6151040SP	40	2	WP0450801SP	50	22
SS6151210SP	40	22	WP0460556SD	42	32
SS7090910TP	8	12	WP0501016SD	42	30
SS7091110TP	10	46	WP0551016SH	68	3
SS7110410SP	4	62	WP0621016SH	26	78
SS7110510SP	58	8	WP0651001SC	18	73
SS7110710SP	52	3	WP0751576SD	56	13
SS7110740TP	34	24	WP0820516SP	6	8
SS7110840SP	24	42	WP1751616SD	30	72
SS7112420SP	64	4	WS0451040KP	50	26
SS7112810SP	4	54	WS0510002KN	48	18
SS7113110SP	4	56	WT1780011KP	28	25
SS8080410TP	8	30	WZ1052010KP	20	11
SS8110410TP	12	65			
SS8110410TP	40	20			
SS8110422TP	12	70			
SS8110422TP	26	80			
SS8110422TP	40	24			
SS8110710SP	26	50			