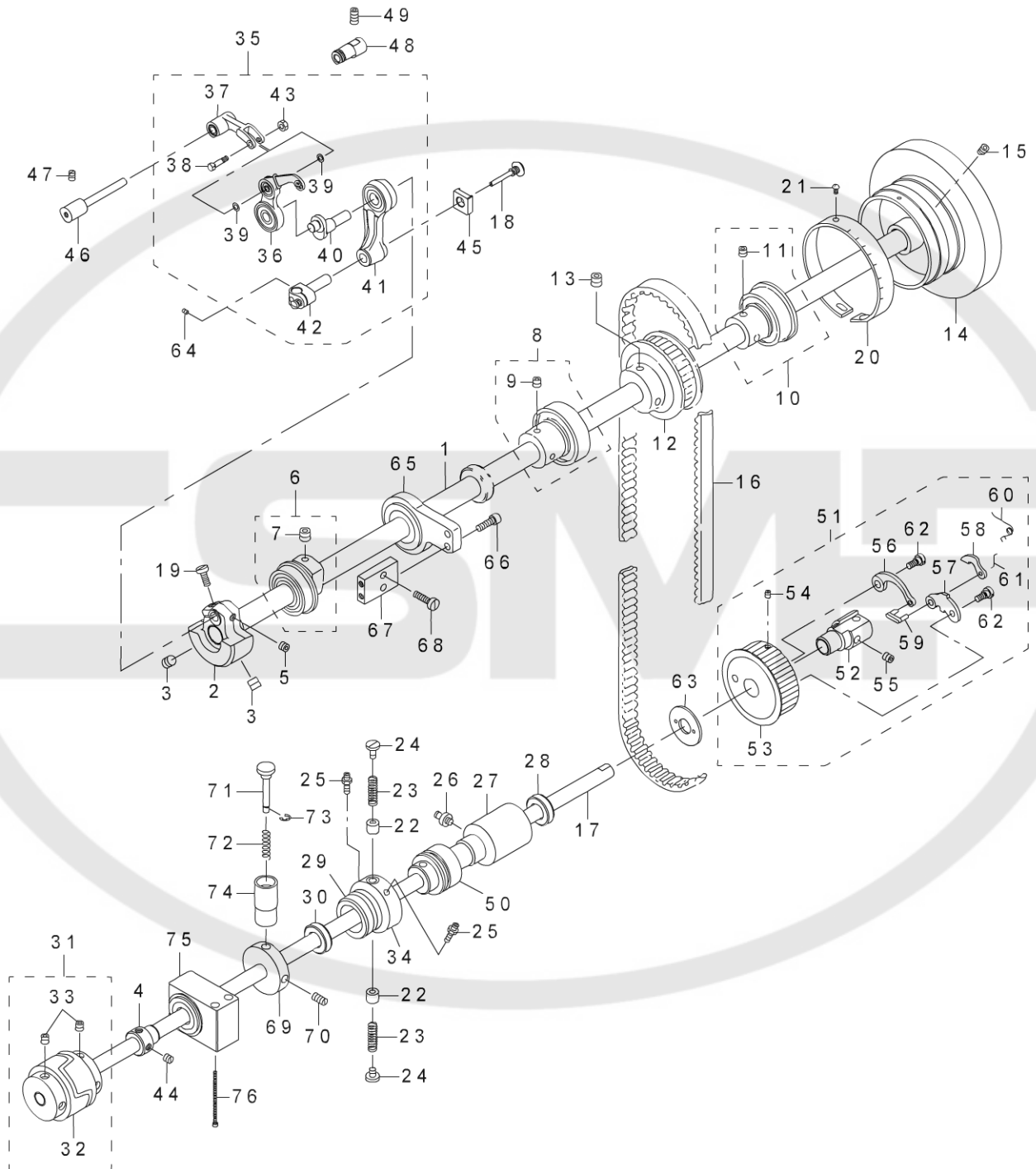
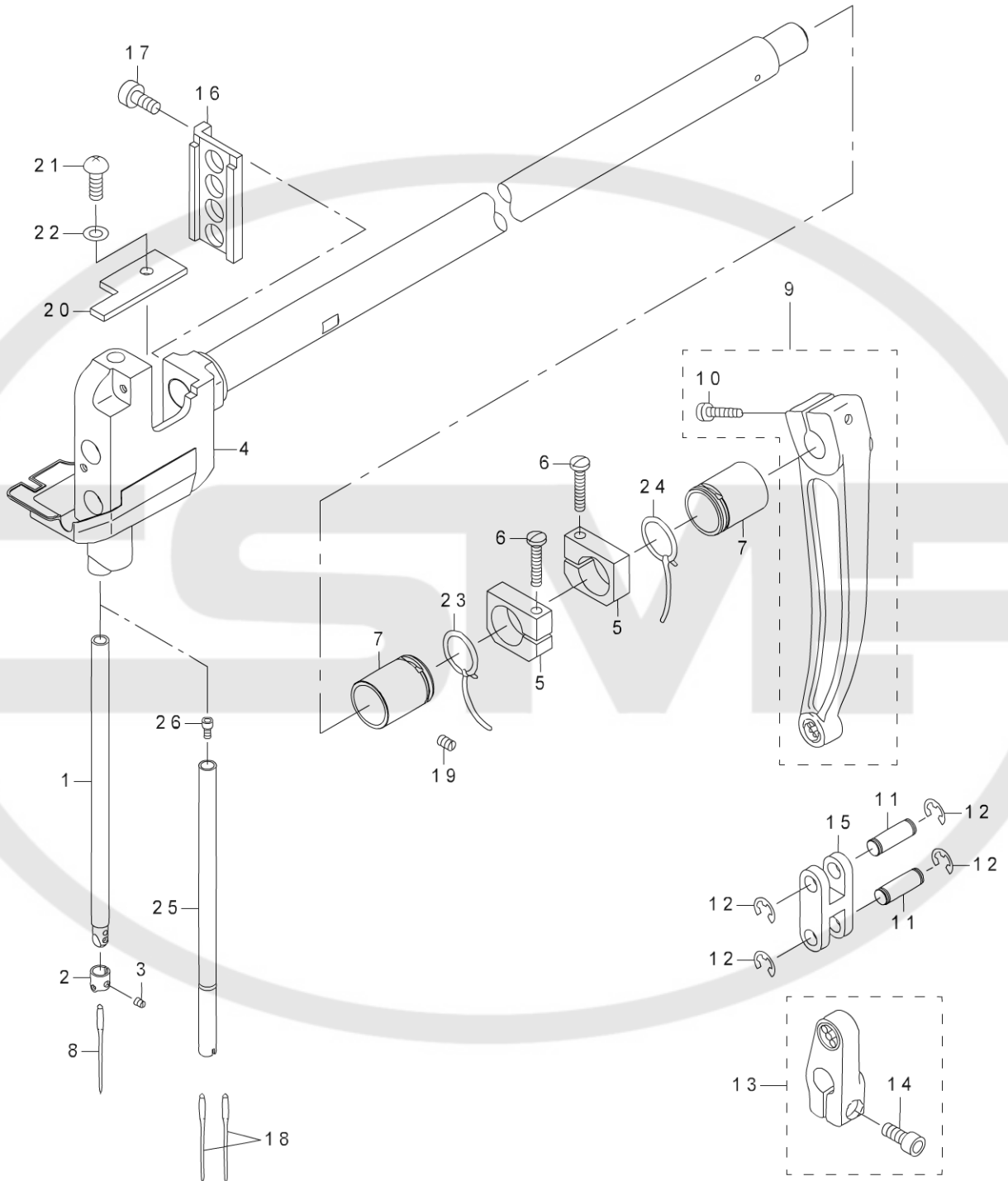


No	note	Parts No.	DESCRIPTION	Qty
1		10743151	FACE PLATE ASM.	1
2		SS7121610SP	SCREW 3/16-28 L=15.5	2
3		TA1250406R0	RUBBER PLUG D=12.5 L=4	1
4		23151301	FACE APERTURE PLATE LEFT	1
5		SS6121010SP	SCREW 3/16-28 L=10	4
6		CM300200001	ATTENTION SEAL	2
7		10743003	SIDE COVER	1
8		SS6121010SP	SCREW 3/16-28 L=10	4
9		10700706	SIDE COVER PACKING	1
10		10742708	FACE APERTURE PLATE	1
11		SS7121610SP	SCREW 3/16-28 L=15.5	3
12		SS6123010SP	SCREW 3/16-28 L=30.0	4
13		SS7121610SP	SCREW 3/16-28 L=15.5	3
14		SS6121010SP	SCREW 3/16-28 L=10	2
15		40073870	BED TOP COVER ASM.	1
16		23151707	TOP COVER PACKING	1
17		10701308	BED STRUT	1
18		10777308	BED STEW C	1
19		TA1050504R0	RUBBER PLUG	4
20		40084142	THREAD GUIDE LOWER	1
21		SS2090810SP	SCREW 9/64-40 L=7.5	1
22		10755700	ARM THREAD GUIDE D	1
23		SS2090710TP	SCREW 9/64-40 L=7.2	2
24		B3138512000	TAKE-UP SPRING ADJUSTING PLATE	1
25		SS7090520SP	SCREW 9/64-40 L=4.5	1
26		23151400	APERTURE PLATE	1
27		SS6121010SP	SCREW 3/16-28 L=10	4
28		TA2050406R0	RUBBER PLUG	3
29		10731701	RUBBER	1
30		B1111563000	BED SLIDE SPRING	1
31		SS7110510SP	SCREW 11/64-40 L=5	2
32		B1150490000	RUBBER PLUG	2
33		SS7110910TP	SCREW 11/64-40 L=8.5	10
34	#01	10774008	FELT THREAD GUIDE	1
35	#01	22603708	FELT	1
36	#01	TA1250504R0	RUBBER PLUG	1
37		10700508	TOP COVER PACKING	1
38		SS6121210SP	SCREW 3/16-28 L=12	2
39		WT0530002KS	TOOTHED WASHER D=5.3	2
40		10745800	FLYWHEEL POINTER	1
41		SS7110510SP	SCREW 11/64-40 L=5	2
42		10754901	THREAD TAKE-UP COVER	1
43		10733103	FACE PLATE FELT	1
44		10704609	FACE PLATE PACKING	1
45		B3510019000	OIL FELT	1
46	#01	SS2090710TP	SCREW 9/64-40 L=7.2	1
47		CM301200001	SAFETY LABEL S	1
48		TA0750704R0	RUBBER PLUG	1
49		40100943	TOP COVER ASM.	1
50		SL4040881SC	SCREW M4 L=8	(2)
51		10774651	TOP COVER ASM.	(1)
52		10774602	TOP COVER	(1)
53		40052251	VERTICAL DIAL SHAFT BUSHING	(1)
54		EA9500B0100	CABLE BAND	(1)
55		B3538112000	OIL RETURN TUBE HOLDER	(1)
56		SL4040881SC	SCREW M4 L=8	(1)
57		TA2050406R0	RUBBER PLUG	(1)
58		10774354	UPPER AND LOWER DIAL ASM.	(1)
59		10774305	VERTICAL DIAL	(1)
60		10774404	VERTICAL CAM	(1)
61		40108542	VERTICAL ADJUSTING CAM	(1)
62		SS6110630TP	SCREW 11/64-40 L=6	(1)
63		WZ1052010KP	WAVED WASHER	(1)
64		10715704	VERTICAL DIAL PIN	(1)
65		B152652700G	SPRING	(1)
66		40024852	VERTICAL DETECTOR SWITCH ASM.	(1)



No	note	Parts No.	DESCRIPTION	Qty
1		23153901	UPPER SHAFT	1
2		23152903	BALANCE WEIGHT	1
3		SM8080812TP	SCREW M8X8	2
4		23154602	LOWER SHAFT BEARING HOLDER	1
5		SS8660512TP	SCREW 1/4-40 L=5	1
6		10704757	BALANCE WEIGHT	1
7		SM8080802TP	SCREW	(1)
8		10704955	UPPER SHAFT BEARING HOOK A ASM	1
9		SM8060602TP	SCREW M6X6	(2)
10		10704963	UPPER SHAFT BEARING HOOK B ASM	1
11		SM8060602TP	SCREW M6X6	(2)
12		10705002	UPPER SPROCKET	1
13		SM8080802TP	SCREW	2
14		10741007	FLYWHEEL LARGE	1
15		SS8150822TP	SCREW 15/64-28 L=8	2
16		10706703	TIMING BELT	1
17		23154404	LOWER SHAFT	1
18		10708303	NEEDLE ROD THRUST SCREW	1
19		SS6621220SP	SCREW 3/16-32 L=12	1
20		10745909	FLYWHEEL SCALE PLATE	1
21		SM3030650SC	SCREW M3X0.5 L=6	3
22		11020401	PLUNGER	2
23		11020609	PLUNGER SPRING	2
24		11020500	PLUNGER SCREW	2
25		SQ1110401MZ	CONNECTING SCREW	2
26		SQ1150451MZ	CONNECTING SCREW	1
27		10775500	LOWER SHAFT REAR METAL	1
28		10705606	LOWER SHAFT METAL OIL SEAL	1
29		10705754	LOWER SHAFT FRONT METAL ASM.	1
30		10705606	LOWER SHAFT METAL OIL SEAL	1
31		40064519	LOWER SHAFT COUPLING SET	1
32		10776656	LOWER SHAFT COUPLING ASM.	(1)
33		SM8060602TP	SCREW M6X6	(4)
34		RO294310100	RUBBER RING	1
35		23152754	BALANCE ASM.	1
36		10771251	BALANCE JUNCTION COMPL.	(1)
37		10707156	BALANCE CRANK JUNCTION	(1)
38		10754802	BALANCE CRANK PIN.	(1)
39		10523702	WASHER	(2)
40		23152705	NEEDLE ROD CRANK	(1)
41		23152853	NEEDLE ROD CRANK ROD ASM.	(1)
42		10707958	NEEDLE ROD HOLDER ASM.	(1)
43		NM6040001SN	NUT M4X0.7	(1)
44		SS8150510TP	SCREW 15/64-28 L=4.7	2
45		23153307	NEEDLE ROD SQUARE BLOCK	1
46		10707206	BALANCE CRANK SHAFT	1
47		SS8120740SP	SCREW 3/16-28 L=7	1
48		10707305	BALANCE CRANK SHAFT SUPPORT	1
49		SM8061212TP	SCREW M6X12	1
50		RO312240100	O-RING	1
51		10775658	SAFETY DEVICE ASM.	1
52		10775609	SAFETY DEVICE HOOK	(1)
53		10706315	LOWER SPROCKET	(1)
54		SM8040502TP	SCREW M4X0.7 L=5	(1)
55		SM8060602TP	SCREW M6X6	(2)
56		10591709	SAFETY SPRING	(1)
57		10748002	SAFETY CLUTCH PAWL	(1)
58		B1308055000	SAFETY CLUTCH COUNTER-HOOK	(1)
59		B1310055000	SAFETY CLUTCH SMALL LINK	(1)
60		40113224	COUNTER HOOK SPRING	(1)
61		B1314055000	SAFETY CLUTCH SMALL LINK PIN	(1)
62		SD0640322TP	HINGE SCREW D=6.35 H=3.2	(2)
63		40052266	LOWER SHAFT COUPLING PLATE	1
64		SM8030402TP	SCREW M3X0.5 L=4	1
65		23154057	BEARING ASM.	1
66		SM6051802TP	SCREW M5X0.8 L=16	2
67		23154107	BEARING BASIS	1
68		SS8121860SP	SCREW 3/16-28 L=18	2
69		23154701	SAFETY CLUTCH DISK	1
70		SS8151150TP	SCREW 15/64-28 L=10.5	2
71		B1636158000	PUSH BUTTON	1
72		B1639158000	PUSH BUTTON SPRING	1
73		RE0400000K0	E-RING 4	1
74		23154800	SAFETY CLUTCH PUSH BUTTON BUSH	1
75		23154552	FRONT METAL HOLDER A	1
76		SM6065002TP	SCREW M6 L=50	2

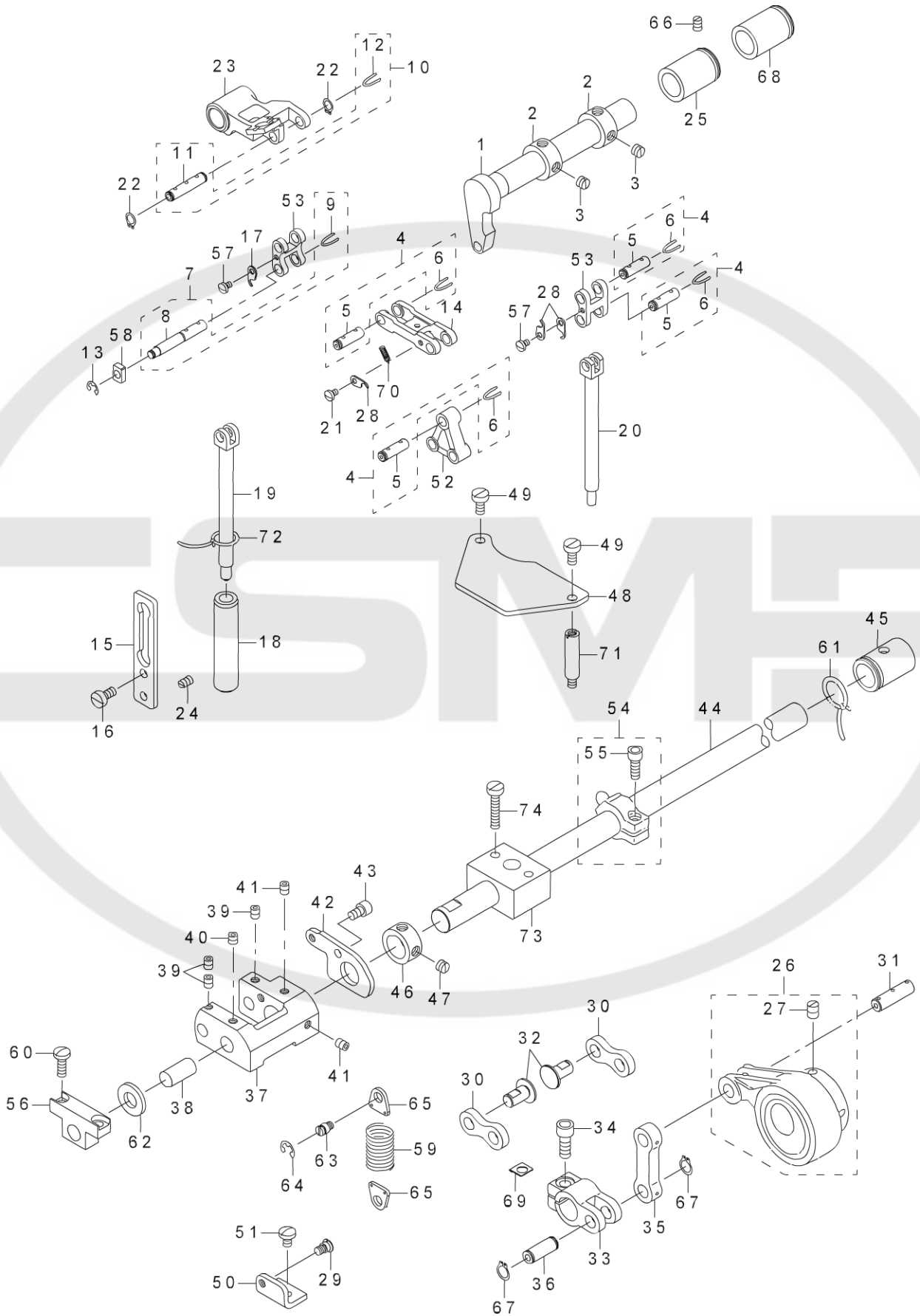


No	note	Parts No.	DESCRIPTION	Qty
1		23153505	NEEDLE BAR	1
2		10708204	NEEDLE BAR THREAD GUIDE	1
3		SS8080410TP	SCREW 1/8-44 L=3.5	1
4		23152663	NEEDLE ROD ROCKING BASE SET	1
5		23153208	THRUST HOLDER	2
6		SS7112420SP	SCREW 11/64-40 L=24	2
7		23153109	FRONT METAL	2
8		MC321001400	NEEDLE 134-35 #140	1
9		10709152	NEEDLE ROD ROCKING LINK ASM.	1
10		SS6152440SP	SCREW 15/64-28 L=23.5	(1)
11		10709202	NEEDLE ROD LINK PIN	2
12		RE0600000K0	E-RING 6	4
13		10709350	FEED ARM ASM.	1
14		SS6151412TP	SCREW 15/64-28 L=14	(1)
15		10709400	NEEDLE ROD ROCKING LINK	1
16		10708501	ROLLER GUIDE BASE	1
17		SM6041012TP	SCREW M4X0.7 L=10	2
18	#01	MC321001400	NEEDLE 134-35 #140	2
19		SS8120740SP	SCREW 3/16-28 L=7	1
20		10733806	SWING STAND FELT LOWER	1
21		SM1040801SC	SCREW M4X0.7 L=8	1
22		WP0450000SD	WASHER 4.5X8X0.5	1
23		CQ202000000	OIL WICK	0.2
24		CQ202000000	OIL WICK	0.2
25	#01	23153406	NEEDLE BAR (FOR 2-NEEDLE)	1
26	#01	SM6030602TP	SCREW M3X0.5 L=6	1

1...#01FOR LU-2266N-7 / 2... /

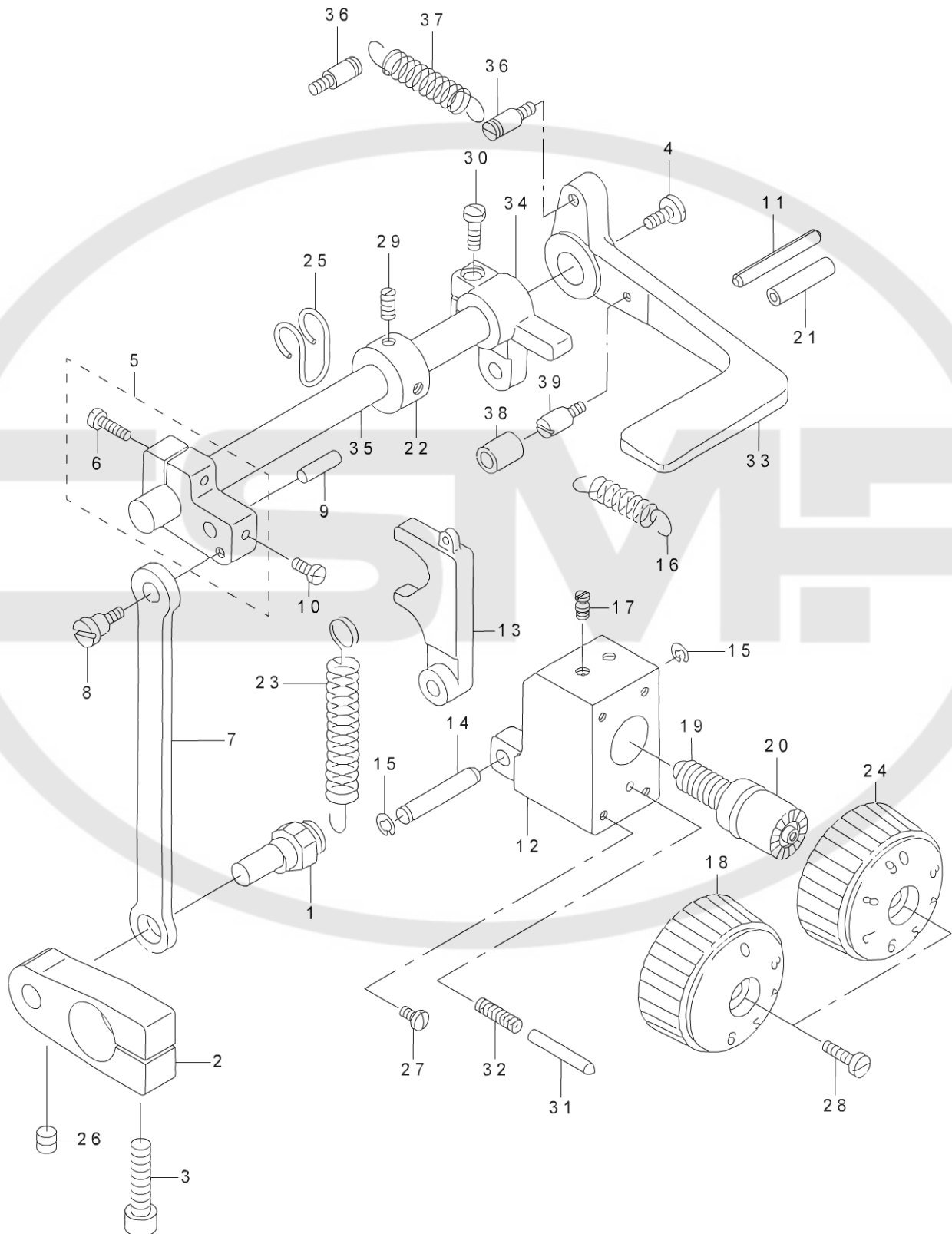


## 4. UPPER FEED MECHANISM COMPONENTS



No	note	Parts No.	DESCRIPTION	Qty
1		10709707	UPPER FEED SHAFT	1
2		CS1501011TH	THRUST COLLAR	2
3		SS8660410SP	SCREW 1/4-40 L=4.2	4
4		40132152	TRIANGLE LEVER SHAFT ASM.	4
5		40130995	TRIANGLE LEVER SHAFT	(1)
6		CQ252000000	OIL WICK	(0.1)
7		40132151	PRESSER ROD GUIDE SHAFT ASM.	1
8		10710309	PRESSER ROD GUIDE SHAFT	(1)
9		CQ252000000	OIL WICK	(0.1)
10		40132153	PRESSER ROD SHAFT ASM.	1
11		10711000	PRESSER ROD SHAFT	(1)
12		CQ252000000	OIL WICK	(0.1)
13		RE0400000K0	E-RING 4	1
14		40052240	CONNECTION LINK	1
15		10710408	PRESSER ROD GUIDE	1
16		SS8121050SP	SCREW 3/16-28 L=9.5	2
17		10710804	TRIANGLE LEVER SHAFT STOPPER	1
18		10710507	PRESSER ROD LOWER METAL	1
19		10710606	PRESSER ROD	1
20		10710705	UPPER FEED ROD	1
21		SS7080510TP	SCREW 1/8-44 L=4.5	1
22		RC0560711KP	RETAINING RING	2
23		10711117	PRESSER BAR GUIDE ARM	1
24		SS8120740SP	SCREW 3/16-28 L=7	1
25		10709608	ROCKING SHAFT METAL	1
26		10713766	ECCENTRIC ROD (SET)	1
27		SS8660810TP	SCREW 1/4-40 L=8	(2)
28		10710804	TRIANGLE LEVER SHAFT STOPPER	3
29		22908909	HINGE SCREW	1
30		40107949	CONNECTION LINK B	2
31		10713808	CONNECTION LINK PIN B	1
32		40052263	CONNECTION LINK B SUPPORT PIN	2
33		10713907	UPPER FEED CAM	1
34		SM6061602TP	SCREW M6 L=16	1
35		10714004	CONNECTION LINK A	1
36		10714103	CONNECTION LINK PIN A	1
37		10714202	VERTICAL CHANGE BELT	1
38		10751303	CHANGE BELT SUPPORT PIN	1
39		SM8050602TP	SCREW M5 L=6	3
40		SM8050502TP	SCREW M5 L=5	1
41		SM8050602TP	SCREW M5 L=6	2
42		10714400	VERTICAL STOPPER PLATE	1
43		SM6051002TP	SCREW M5X0.8 L=10	1
44		23156102	VERTICAL CHANGE BELT SHAFT	1
45		23155203	HORIZONTAL SHAFT METAL	1
46		CS1501011TH	THRUST COLLAR	1
47		SS8660410SP	SCREW 1/4-40 L=4.2	2
48		23156508	VERTICAL STOPPER HOLD PLATE	1
49		SS8121010SP	SCREW 3/16-28 L=10	2
50		10714905	VERTICAL SHAFT SPRING RACK	1
51		SS7120710SP	SCREW 3/16-28 L=7	1
52		10710002	TRIANGLE LEVER	1
53		10710101	ROCKING LINK	2
54		10715258	VERTICAL ADJUSTING ARM ASM.	1
55		SM6051402TP	SCREW M5X0.8 L=14	(1)
56		23156409	CHANGE SUPPORT	1
57		SS7080510TP	SCREW 1/8-44 L=4.5	2
58		10710200	PRESSER ROD SQUARE BLOCK	1
59		10716504	VERTICAL SHAFT SPRING	1
60		SS7121410TP	SCREW 3/16-28 L=14	2
61		CQ202000000	OIL WICK	0.3
62		10109809	THRUST WASHER B	1
63		B3416552000	CONNECTING ROD HINGE SCREW	1
64		RE0500000K0	E-RING	1
65		10713501	SPRING HOOK	2
66		SS8120740SP	SCREW 3/16-28 L=7	1
67		RC0740811KP	C-RING	2
68		10708907	ROCKING SHAFT METAL	1
69		10710903	SPACER A	1
70		10739506	GUIDE SPRING	1
71		23156300	STUD	1
72		CQ202000000	OIL WICK	0.2
73		23156201	VERTICAL METAL	1
74		SS8122510SP	SCREW 3/16-28 L=25	2

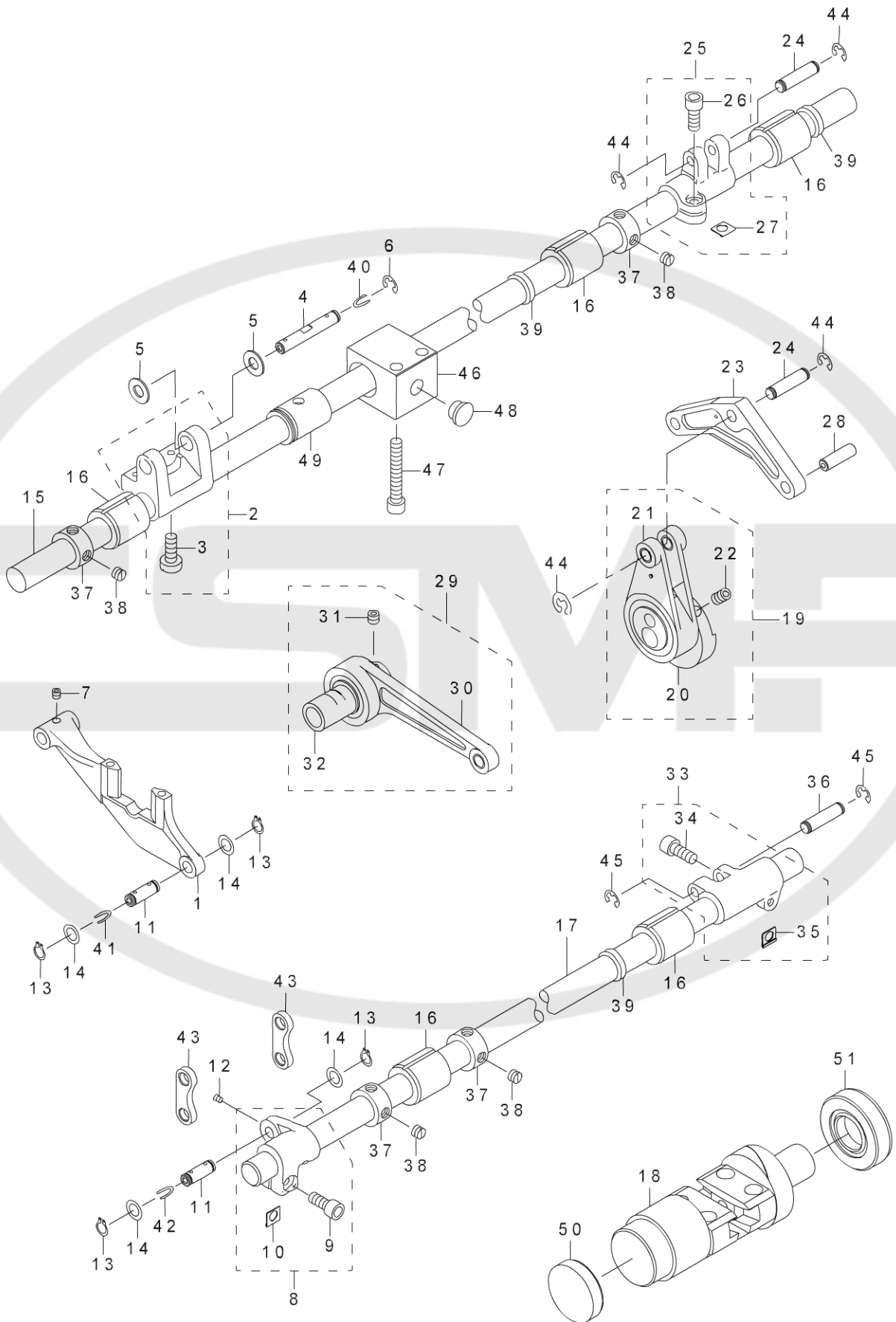




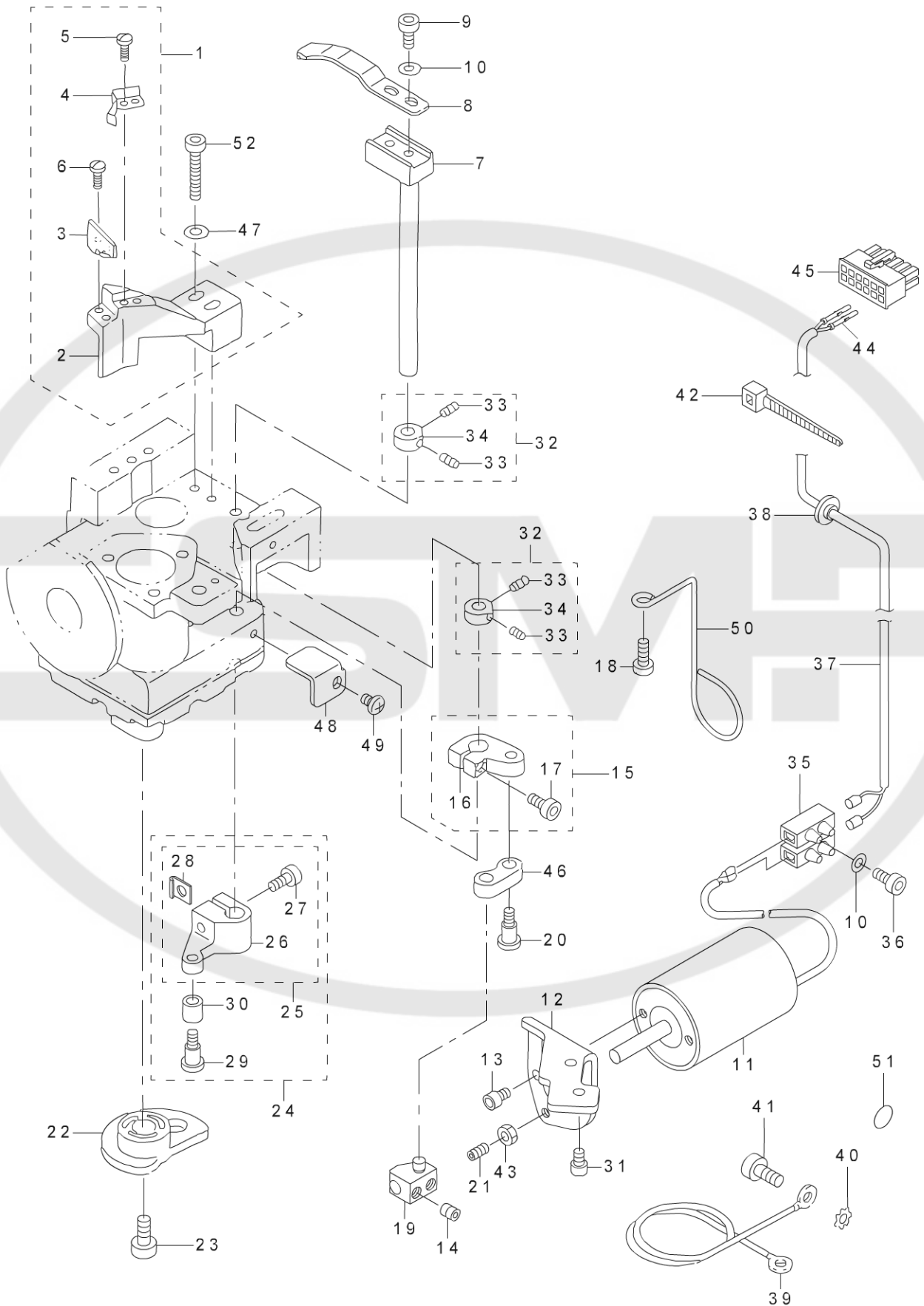
No	note	Parts No.	DESCRIPTION	Qty
1		40052255	FEED ADJUSTING ECCENTRIC PIN	1
2		23155500	ADJUSTING CHANGE ARM	1
3		SM6062502TP	SCREW M6 L=25	1
4		SS7620750SP	SCREW 3/16-32 L=6.5	1
5		10720555	ADJUSTING ARM ASM.	1
6		SS7121610SP	SCREW 3/16-28 L=15.5	(1)
7		10720407	ADJUSTING CONNECTION RING	1
8		10725307	ADJUSTING CONNECTION RING PIN	1
9		10721504	FEED ADJUSTING PIN	1
10		SS7110810SP	SCREW 11/64-40 L=8.0	1
11		PS0400322KP	SPRING PIN 4.0X32	1
12		40052241	FEED ADJUSTING BASE A	1
13		10720605	ADJUSTING BELT	1
14		22949101	ROLLER FULCRUM SHAFT	1
15		RE0400000K0	E-RING 4	2
16		10721306	CHANGE SPRING	1
17		26017400	SPRING RAC	1
18	#01	23155955	ADJUSTMENT DIAL ASM.	1
19		10721009	ADJUSTING DIAL SCREW	1
20		RO118240100	O-RING	1
21		BT0600402EA	OIL TUBE	0.1
22		CS1201011SH	THRUST COLLAR D=12 W=10	1
23		10722007	PULLING SPRING	1
24		10744308	ADJUSTMENT DIAL	1
25		10733509	SPRING RACK HOOK	1
26		SM8060602TP	SCREW M6X6	1
27		SS7110910SP	SCREW 11/64-40 L=8.5	4
28		SS6121860SP	SCREW 3/16-28 L=18	1
29		SS8660610TP	SCREW 1/4-40 L=6	2
30		SS7121610SP	SCREW 3/16-28 L=15.5	1
31		10718401	DIAL PIN	1
32		B1148141H00	SPRING	1
33		40052267	BACKWARD FEED LEVER	1
34		10721207	BACKWARD FEED CONNECTION ARM	1
35		23155401	BACKWARD FEED LEVER SHAFT	1
36		40023289	SPRING SUSPENSION	2
37		D2515232D00	TORSION SPRING	1
38		10119907	CUSHION	1
39		B1114280000	PIN	1

1...#01FOR LU-2266N-7 / 2... /



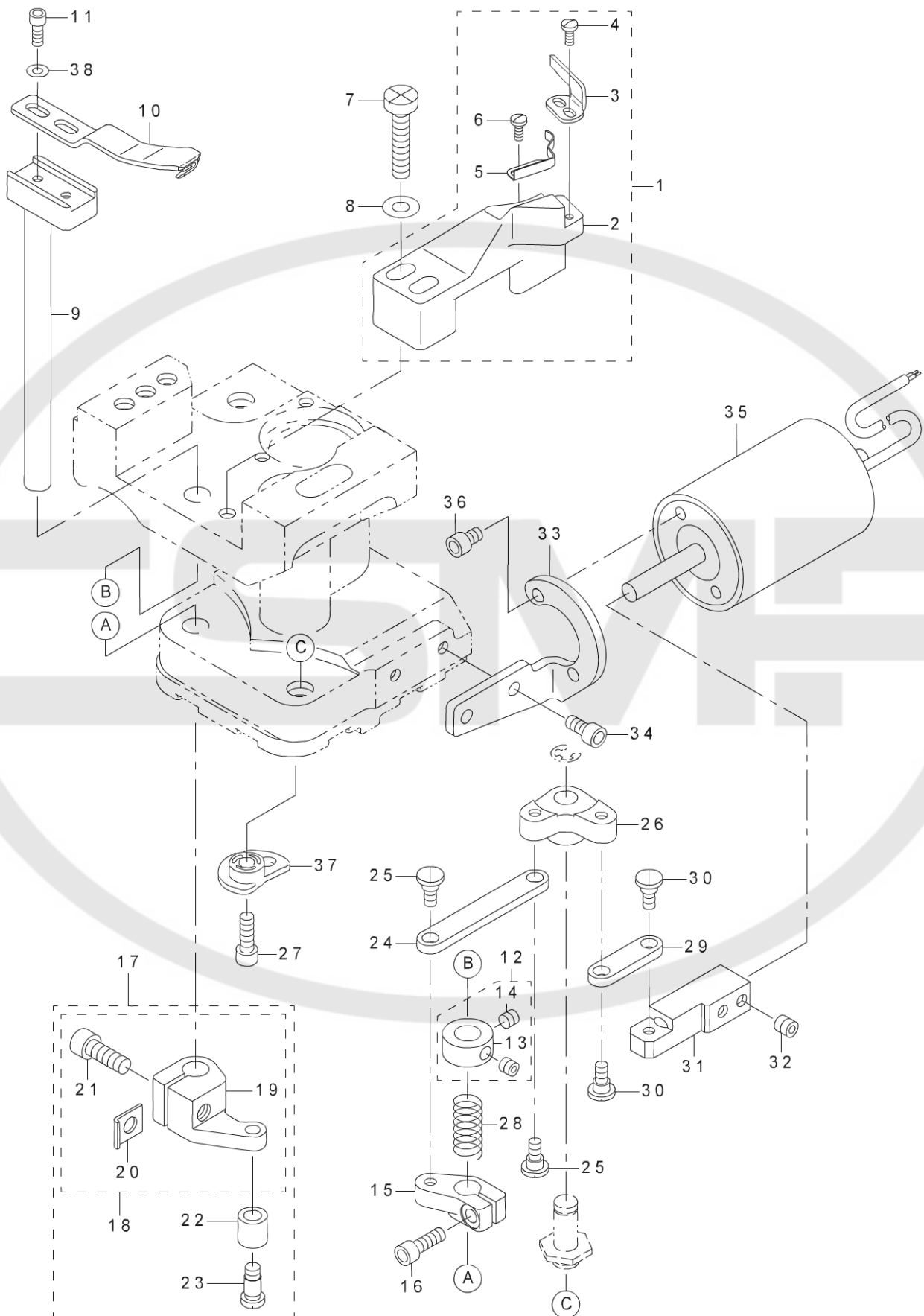


No	note	Parts No.	DESCRIPTION	Qty
1		10717502	FEED BASE	1
2		10717668	FEED BASE ARM ASM.	1
3		SM6061650TP	SCREW	(2)
4		40052258	FEED BASE SHAFT	1
5		10746709	WASHER	2
6		RE0500000K0	E-RING	1
7		SS8110422TP	SCREW 11/64-40 L=4	1
8		10718658	VERTICAL FEED ARM ASM.	1
9		SS6151412TP	SCREW 15/64-28 L=14	(1)
10		10710903	SPACER A	(1)
11		10718906	VERTICAL FEED LINK SHAFT	2
12		SM8030402TP	SCREW M3X0.5 L=4	1
13		RC0650811KP	RETAINING RING	4
14		WP0740516SP	WASHER 7.4X11.8X0.5	4
15		23155005	HORIZONTAL FEED SHAFT	1
16		10718203	FEED SHAFT FRONT METAL	5
17		23155708	VERTICAL FEED SHAFT	1
18		10719052	FEED CHANGE BELT ASM.	1
19		10719664	HORIZONTAL FEED ROD	1
20		10719201	HORIZONTAL FEED CAM	(1)
21		10719656	HORIZONTAL FEED ROD ASM.	(1)
22		SS8661012TP	SCREW	(2)
23		10719300	BELL CRANK	1
24		10718005	FEED ARM SHAFT	2
25		10718153	FEED SHAFT ARM ASM.	1
26		SM6061552TP	SCREW M6 L=15	(1)
27		10710903	SPACER A	(1)
28		10719508	ADJUSTING BLOCK SHAFT	1
29		10719961	VERTICAL FEED ROD ASM.	1
30		10719953	VERTICAL FEED ROD COMPL.	(1)
31		SM8060552TP	SCREW M6 L=5	(2)
32		10720001	VERTICAL FEED CAM	(1)
33		10718153	FEED SHAFT ARM ASM.	1
34		SM6061552TP	SCREW M6 L=15	(1)
35		10710903	SPACER A	(1)
36		10718005	FEED ARM SHAFT	1
37		CS1501011TH	THRUST COLLAR	4
38		SS8660410SP	SCREW 1/4-40 L=4.2	8
39		13707500	OIL SEAL	3
40		CQ202000000	OIL WICK	0.1
41		CQ202000000	OIL WICK	0.1
42		CQ202000000	OIL WICK	0.1
43		10718500	VERTICAL LINK	2
44		RE0500000K0	E-RING	4
45		RE0500000K0	E-RING	2
46		23155104	HORIZONTAL SHAFT INNER METAL	1
47		SM6064002TP	SCREW M6 L=40	2
48		TA1050504R0	RUBBER PLUG	1
49		23155203	HORIZONTAL SHAFT METAL	1
50		10719706	CHANGE BELT OIL SEAL A	1
51		10719805	CHANGE BELT OIL SEAL B	1



No	note	Parts No.	DESCRIPTION	Qty
1		10726552	FIXED KNIFE BASE ASM.	1
2		10726503	FIXED KNIFE BASE	(1)
3		10726404	FIXED KNIFE	(1)
4		10726909	CLAMP SPRING	(1)
5		SS7060610SP	SCREW 3/32-56 L=5.5	(2)
6		SS7060610SP	SCREW 3/32-56 L=5.5	(2)
7		10726800	MOVING KNIFE SHAFT	1
8		10726305	MOVING KNIFE	1
9		SM6030802TP	SCREW M3X0.5 L=8	2
10		WP0320501SC	WASHER M3	3
11		10772804	THREAD CUTTING SOLENOID	1
12		10772309	SOLENOID FITTING PLATE RIGHT	1
13		SM6040602TP	SCREW M4 L=6	2
14		SM8050602TP	SCREW M5 L=6	2
15		10727857	DRIVING ARM B ASM.	1
16		10727808	DRIVING ARM B	(1)
17		SM6041202TP	SCREW M4X0.7 L=12	(1)
18		SS6111140SP	SCREW 11/64-40 L=11	1
19		10754505	THREAD CUTTING SOLENOID ARM	1
20		SD0500481TP	HINGE SCREW D=5 H=4.8	1
21		SM8040802TP	SCREW M4X8	1
22		10727709	THREAD CUTTING CAM	1
23		SM6041202TP	SCREW M4X0.7 L=12	3
24		10728160	DRIVING ARM A COMPL.	1
25		10728152	DRIVING ARM A ASM.	(1)
26		10728103	DRIVING ARM A	(1)
27		SM6051402TP	SCREW M5X0.8 L=14	(1)
28		10711406	SPACER B	(1)
29		SD0500721SP	HINGE SCREW D=5 H=7.2	(1)
30		B3031141H00	CONNECTING STUD	(1)
31		SM6040602TP	SCREW M4 L=6	2
32		40101351	THRUST COLLAR ASM.	2
33		SS8110422TP	SCREW 11/64-40 L=4	(2)
34		22917009	THRUST COLLAR	(1)
35		10728301	TERMINAL BASE	1
36		SM6031202TP	SCREW M3X0.5 L=12	1
37		HW500140000	2-C CABLE	1
38		10732204	CORD BUSH	1
39	#01	10741759	GROUND WIRE ASM.	1
40		WT0530002KS	TOOTHED WASHER D=5.3	1
41		SS6111140SP	SCREW 11/64-40 L=11	1
42		EA9500B0200	CABLE BAND 150	1
43		NM6040001SC	NUT M4	1
44		HK03464000B	PIN CONTACT	2
45		HK034610120	HOUSING 12P	1
46		10727907	DRIVING LINK B	1
47		WP0520656SA	WASHER 5 2X9.5X0.6	2
48		10754604	SOLENOID ARM GUIDE PLATE	1
49		SM4040601SB	SCREW M4 L=6	1
50		23151509	CORD GUIDE	1
51		22901805	GROUND MARK	1
52		SM6052502TP	SCREW M5X0.8 L=25	2

1...#01FOR YU(HEAD WHEN DELIVERING ONLY.) / 2... /

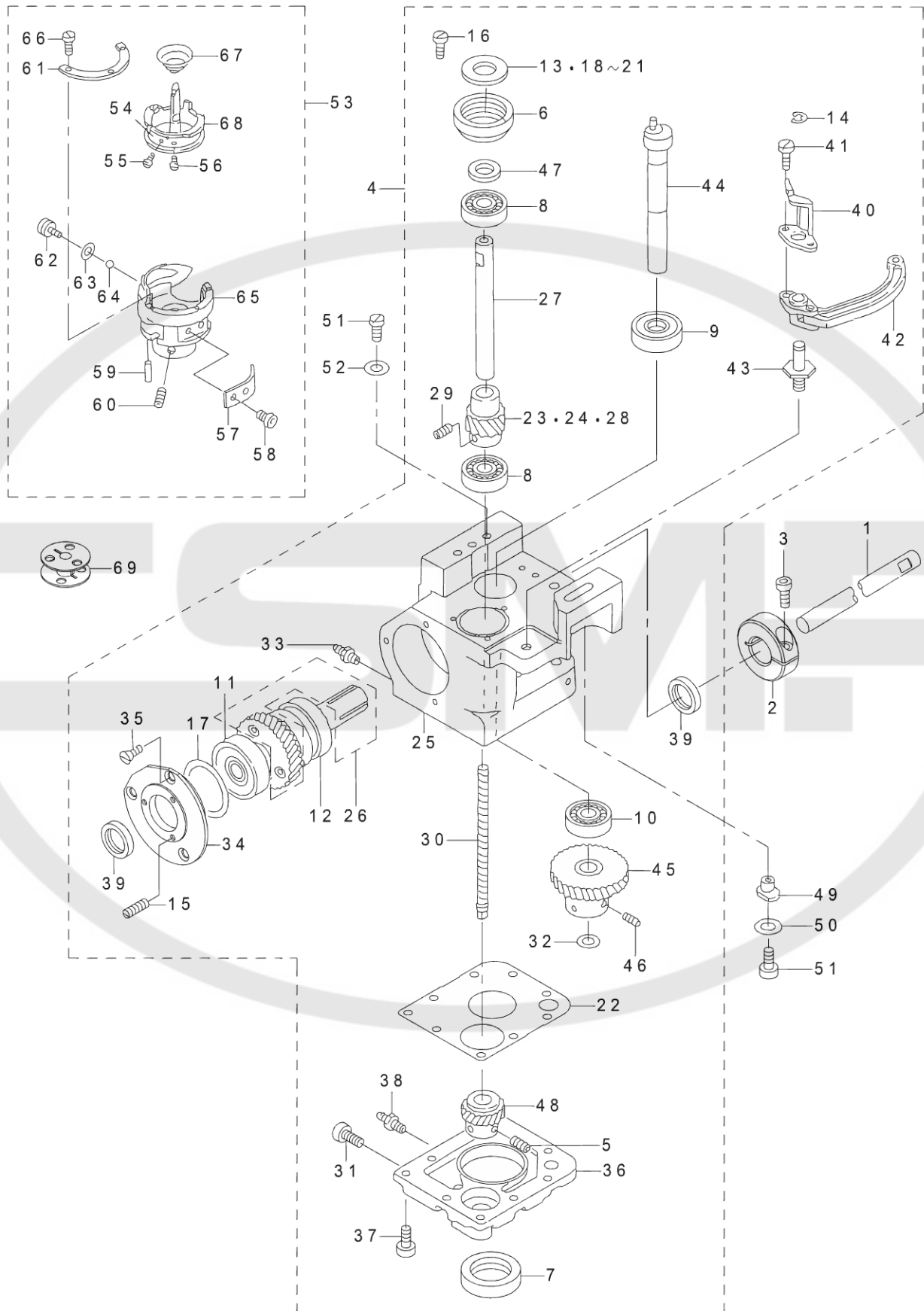


No	note	Parts No.	DESCRIPTION	Qty
1		10726552	FIXED KNIFE BASE ASM.	2
2		10726503	FIXED KNIFE BASE	(1)
3		10726404	FIXED KNIFE	(1)
4		SS7060610SP	SCREW 3/32-56 L=5.5	(2)
5		10726909	CLAMP SPRING	(1)
6		SS7060610SP	SCREW 3/32-56 L=5.5	(2)
7		SM6052502TP	SCREW M5X0.8 L=25	2
8		WP0520656SA	WASHER 5.2X9.5X0.6	2
9		10726800	MOVING KNIFE SHAFT	1
10		10726305	MOVING KNIFE	1
11		SM6030802TP	SCREW M3X0.5 L=8	2
12		40101351	THRUST COLLAR ASM.	1
13		22917009	THRUST COLLAR	(1)
14		SS8110422TP	SCREW 11/64-40 L=4	(2)
15		10771806	DRIVING ARM C	1
16		SM6041202TP	SCREW M4X0.7 L=12	1
17		10728160	DRIVING ARM A COMPL.	1
18		10728152	DRIVING ARM A ASM.	(1)
19		10728103	DRIVING ARM A	(1)
20		10711406	SPACER B	(1)
21		SM6051402TP	SCREW M5X0.8 L=14	(1)
22		B3031141H00	CONNECTING STUD	(1)
23		SD0500721SP	HINGE SCREW D=5 H=7.2	(1)
24		10771905	DRIVING LINK A	1
25		SD0500301SP	HINGE SCREW D=5 H=3	2
26		10772507	DRIVING ARM E	1
27		SM6041202TP	SCREW M4X0.7 L=12	3
28		B2311019000	TENSION SPRING	1
29		10772002	DRIVING LINK B	1
30		SD0500301SP	HINGE SCREW D=5 H=3	2
31		10772101	SOLENOID ARM LEFT	1
32		SM8050502TP	SCREW M5 L=5	2
33		10772200	MAGNET FITTING BASE LEFT	1
34		SM6040802TP	SCREW M4X0.7 L=8	2
35		10772804	THREAD CUTTING SOLENOID	1
36		SM6040602TP	SCREW M4 L=6	2
37		10727709	THREAD CUTTING CAM	1
38		WP0320501SC	WASHER M3	2

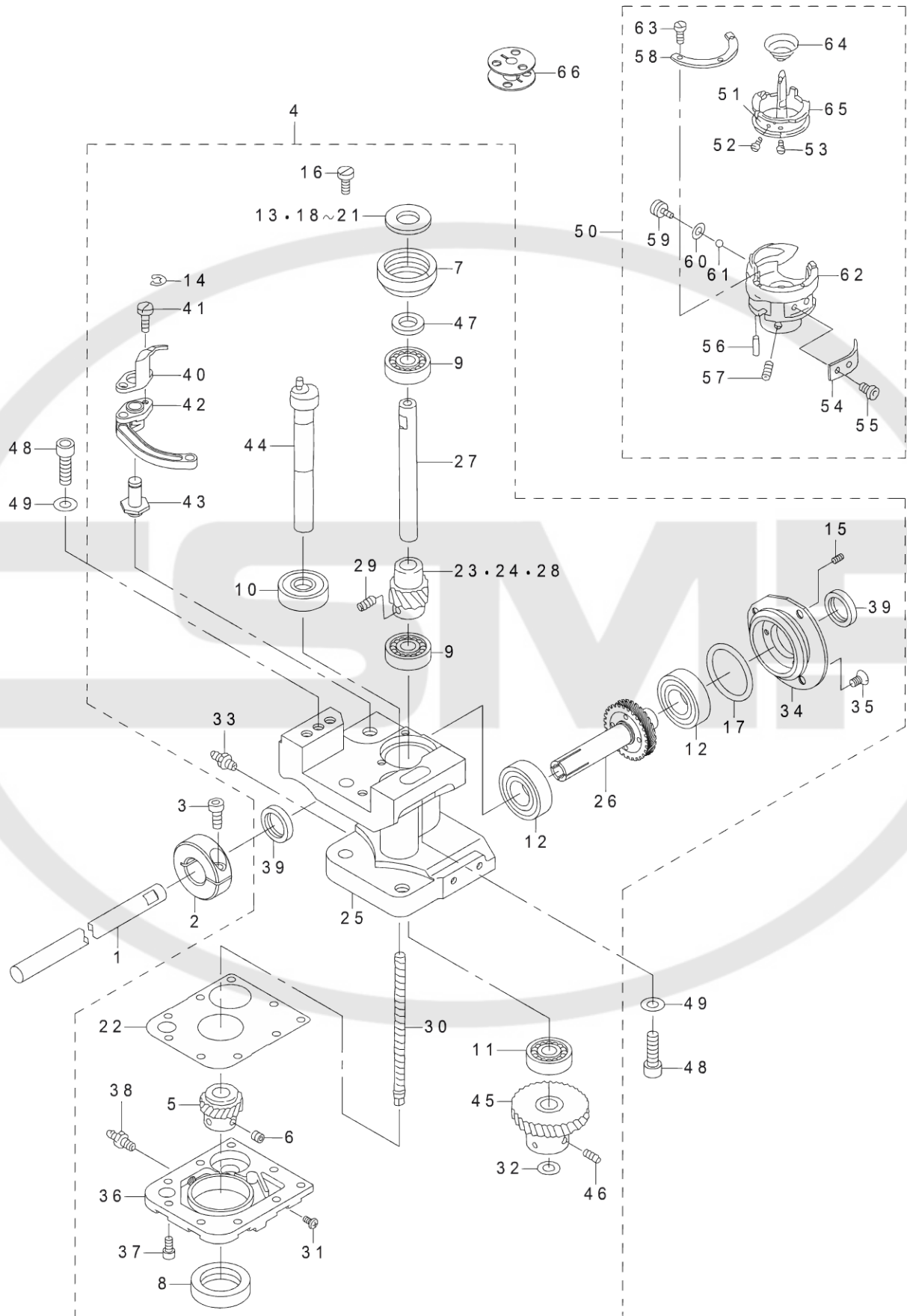




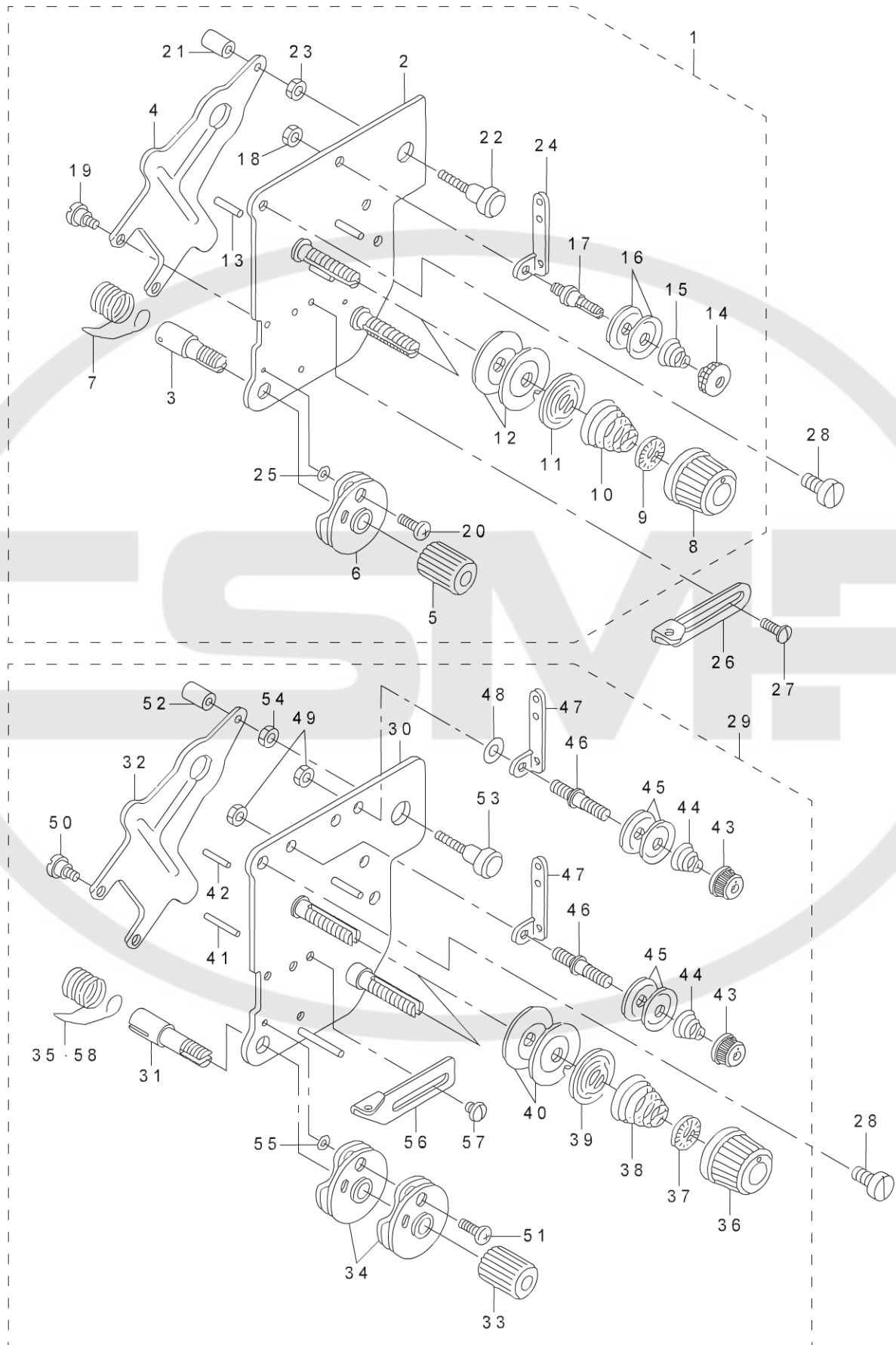
## 9. RIGHT HOOK SHAFT BASE & HOOK COMPONENTS

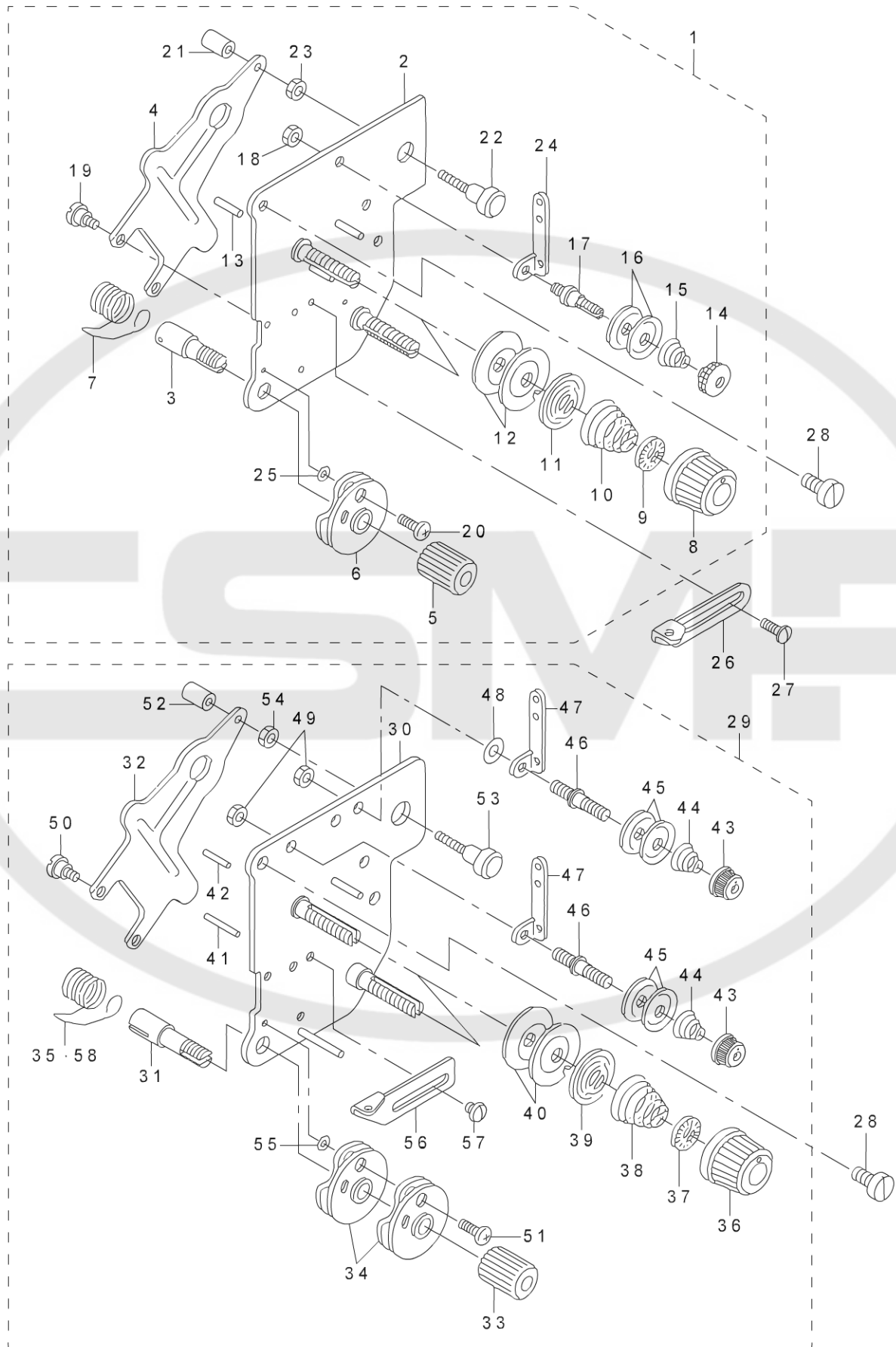


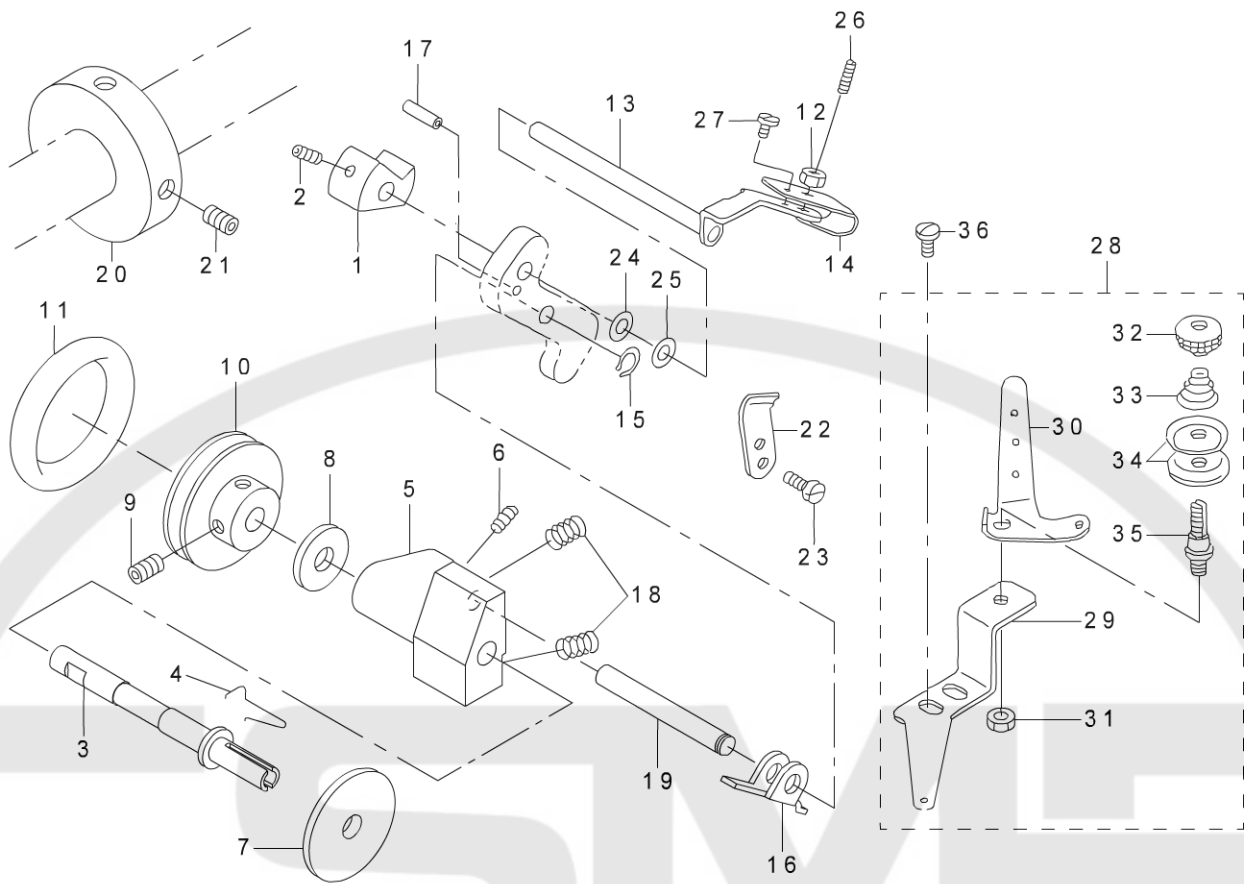
No	note	Parts No.	DESCRIPTION	Qty
1	#02	10722403	LOWER SHAFT B	1
2		40052253	SET COLLAR	1
3		SM6051402TP	SCREW M5X0.8 L=14	1
4		10770352	HOOK SHAFT BASE RIGHT ASM.	1
5		SM8050502TP	SCREW M5 L=5	(2)
6		10755601	BEARING COLLAR	(1)
7		10726107	OIL SEAL	(1)
8		B1215804000	BALL BEARING D	(2)
9		SB110000900	BEARING	(1)
10		SB110001000	BEARING	(1)
11		SB115000400	RADIAL BEARING	(1)
12		SB115000900	BEARING	(2)
13	#01	10111201	THRUST WASHER F	(1)
14		RE0400000K0	E-RING 4	(1)
15		SS8080610SP	SCREW 1/8-44 L=5.5	(3)
16		SS6111140SP	SCREW 11/64-40 L=11	(3)
17		RO357350100	O-RING	(1)
18	#01	10112605	THRUST WASHER 1.7	(1)
19	#01	10112704	THRUST WASHER 1.8	(1)
20	#01	10109809	THRUST WASHER B	(1)
21	#01	10112506	THRUST WASHER 1.6	(1)
22		10770402	HOOK SHAFT BOTTOM PACKING	(1)
23	#01	10739308	HOOK SHAFT SCREW GEAR	(1)
24	#01	10739407	HOOK SHAFT SCREW GEAR	(1)
25		10770303	HOOK SHAFT BASE RIGHT	(1)
26		10722353	LOWER SHAFT A ASM.	(1)
27		10723708	HOOK SHAFT	(1)
28	#01	10723807	SCREW GEAR	(1)
29		SM8050502TP	SCREW M5 L=5	(2)
30		10723906	LUBRICATING SHAFT	(1)
31		SM4030601SC	SCREW M3X6	(1)
32		RO098240100	RUBBER RING	(1)
33		SQ1150451MZ	CONNECTING SCREW	(1)
34		10724201	BEARING HOLDER	(1)
35		SS1110840SP	SCREW 11/64-40 L=8	(3)
36		10775302	HOOK SHAFT LOWER PLATE RIGHT	(1)
37		SM6041002TP	SCREW M4 L=10	(9)
38		SQ1150501SD	CONNECTING SCREW	(1)
39		10724805	OIL SEAL	(2)
40		10725000	OPENER	(1)
41		SS6080610TP	SCREW 1/8-44 L=6	(2)
42		10725158	OPENER ARM COMPL.	(1)
43		10770501	OPNER ARM SHAFT B	(1)
44		10725604	OPENER SHAFT	(1)
45		40063991	OPENER SHAFT SCREW GEAR	(1)
46		SM8050502TP	SCREW M5 L=5	(2)
47		10724706	BEARING SPACER	(1)
48		40063992	HOOK SHAFT SCREW GEAR	(1)
49		40052244	HOOK SHAFT BASE ECCENTRIC PIN	1
50		WP0651056SH	WASHER 6.5X11X1	1
51		SM6062002TP	SCREW M6 L=20	2
52		WP0621016SH	WASHER	1
53		10761252	HOOK ASM.	1
54		10722908	TENSION SPRING	(1)
55		10723302	ADJUSTING SCREW	(1)
56		10723401	TENSION SPRING SETSCREW	(1)
57		10723013	NEEDLE HOLDER	(1)
58		10723203	NEEDLE HOLDER SETSCREW	(2)
59		10728509	FILTER	(1)
60		SM8050602TP	SCREW M5 L=6	(2)
61		10722809	INNER HOOK PRESSER	(1)
62		10722601	ADJUSTING SCREW	(1)
63		10728707	RUBBER RING	(1)
64		10728400	URETHAN BALL	(1)
65		10752418	OUTER HOOK	(1)
66		10723104	PRESSER SETSCREW	(3)
67		10723500	IDLING PREVENTION SPRING	(1)
68		10761203	INNER HOOK	(1)
69		10759603	ALUMINUM BOBBIN (DOUBLE-CUT)	1



No	note	Parts No.	DESCRIPTION	Qty
1		10772705	LOWER SHAFT C	1
2		40052253	SET COLLAR	1
3		SM6051402TP	SCREW M5X0.8 L=14	1
4		10771756	HOOK SHAFT BASE LEFT ASM.	1
5		40063992	HOOK SHAFT SCREW GEAR	(1)
6		SM8050502TP	SCREW M5 L=5	(2)
7		10755601	BEARING COLLAR	(1)
8		10726107	OIL SEAL	(1)
9		B1215804000	BALL BEARING D	(2)
10		SB110000900	BEARING	(1)
11		SB110001000	BEARING	(1)
12		SB115000400	RADIAL BEARING	(2)
13	#01	10111201	THRUST WASHER F	(1)
14		RE0400000K0	E-RING 4	(1)
15		SS8080610SP	SCREW 1/8-44 L=5.5	(3)
16		SS6111140SP	SCREW 11/64-40 L=11	(3)
17		RO357350100	O-RING	(1)
18	#01	10112605	THRUST WASHER 1.7	(1)
19	#01	10112704	THRUST WASHER 1.8	(1)
20	#01	10109809	THRUST WASHER B	(1)
21	#01	10112506	THRUST WASHER 1.6	(1)
22		10770402	HOOK SHAFT BOTTOM PACKING	(1)
23	#01	10739308	HOOK SHAFT SCREW GEAR	(1)
24	#01	10739407	HOOK SHAFT SCREW GEAR	(1)
25		10771707	HOOK SHAFT BASE LEFT	(1)
26		10722353	LOWER SHAFT A ASM.	(1)
27		10723708	HOOK SHAFT	(1)
28		10723807	SCREW GEAR	(1)
29		SM8050502TP	SCREW M5 L=5	(2)
30		10723906	LUBRICATING SHAFT	(1)
31		SM4030601SC	SCREW M3X6	(1)
32		RO098240100	RUBBER RING	(1)
33		SQ1150451MZ	CONNECTING SCREW	(1)
34		10724201	BEARING HOLDER	(1)
35		SS1110840SP	SCREW 11/64-40 L=8	(3)
36		10772408	HOOK SHAFT LOWER PLATE LEFT	(1)
37		SM6040802TP	SCREW M4X0.7 L=8	(9)
38		SQ1150501SD	CONNECTING SCREW	(1)
39		10724805	OIL SEAL	(2)
40		10725000	OPENER	(1)
41		SS6080610TP	SCREW 1/8-44 L=6	(2)
42		10725158	OPENNER ARM COMPL.	(1)
43		10770501	OPNER ARM SHAFT B	(1)
44		10725604	OPENER SHAFT	(1)
45		40063991	OPENER SHAFT SCREW GEAR	(1)
46		SM8050502TP	SCREW M5 L=5	(2)
47		10724706	BEARING SPACER	(1)
48		SM6062002TP	SCREW M6 L=20	2
49		WP0621016SH	WASHER	2
50		10761252	HOOK ASM.	2
51		10722908	TENSION SPRING	(1)
52		10723302	ADJUSTING SCREW	(1)
53		10723401	TENSION SPRING SETSCREW	(1)
54		10723013	NEEDLE HOLDER	(1)
55		10723203	NEEDLE HOLDER SETSCREW	(2)
56		10728509	FILTER	(1)
57		SM8050602TP	SCREW M5 L=6	(2)
58		10722809	INNER HOOK PRESSER	(1)
59		10722601	ADJUSTING SCREW	(1)
60		10728707	RUBBER RING	(1)
61		10728400	URETHAN BALL	(1)
62		10752418	OUTER HOOK	(1)
63		10723104	PRESSER SETSCREW	(3)
64		10723500	IDLING PREVENTION SPRING	(1)
65		10761203	INNER HOOK	(1)
66		10759603	ALUMINUM BOBBIN (DOUBLE-CUT)	1





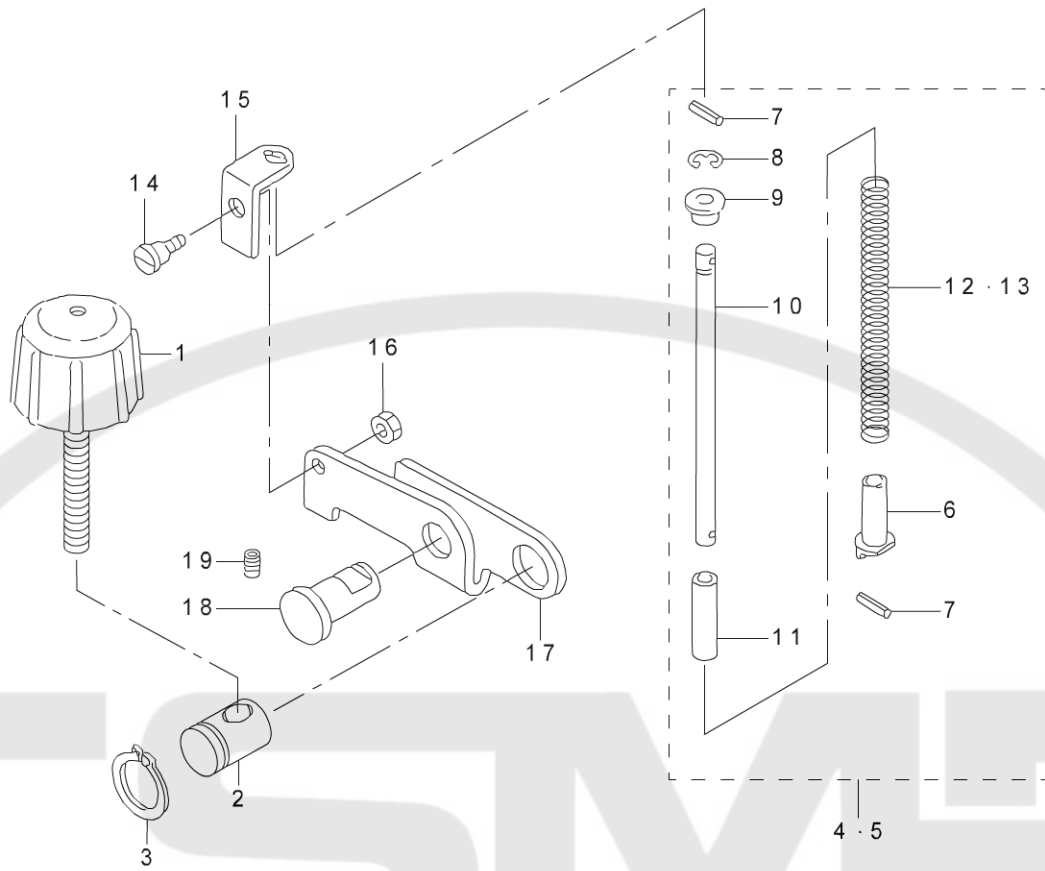


No	note	Parts No.	DESCRIPTION	Qty
1		10703502	BOBBIN CUM	1
2		SM8040602TP	SCREW M4X0.7 L=6	1
3		10703601	BOBBIN SHAFT	1
4		10703700	BOBBIN SPRING	1
5		10703908	BOBBIN SHAFT BASE	1
6		SM8040602TP	SCREW M4X0.7 L=6	1
7		B3205210000	CUSHION	1
8		WP0651056SH	WASHER 6.5X11X1	1
9		SS7110810SP	SCREW 11/64-40 L=8.0	2
10		B3211210000	BOBBIN WINDER WHEEL	1
11		B3212210000	FRICTION WHEEL	1
12		NS6110360SP	NUT	1
13		10703452	BOBBIN PRESSER ASM.	1
14		10703809	BOBBIN PRESSER SPRING	1
15		D2430555B00	SNAP RING	1
16		B3207210000	TRIP LATCH	1
17		PS0200102KH	SPRING PIN 2.0X10	1
18		B3208210000	SPRING A	2
19		10704005	BOBBIN SHAFT BASE SHAFT	1
20		10704807	BOBBIN FRICTION WHEEL	1
21		SM8050602TP	SCREW M5 L=6	2
22		10502300	THREAD CUTTER	1
23		SS6090620SP	SCREW 9/64-40 L=6	2
24		WP0531001SC	WASHER	1
25		WP0520656SA	WASHER 5.2X9.5X0.6	1
26		SS8111610SP	SCREW 11/64-40 L=15.5	1
27		SS7110340SP	SCREW 11/64-40 L=3.2	1
28		10704153	BOBBIN THREAD GUIDE PLATE ASM.	1
29		10704104	BOBBIN THREAD GUIDE PLATE	(1)
30		10088003	THREAD GUIDE	(1)
31		NS6110310SP	NUT 11/64-40	(1)
32		B3216047000	BOBBIN WINDER TENSION NUT	(1)
33		D3168555H0B	TENSION SPRING NO.1	(1)
34		40113092	THREAD TENSION DISK	(2)
35		10124204	THREAD TENSION POST A	(1)
36		SS7621040SP	SCREW 3/16-32 L=9.5	2

1... /



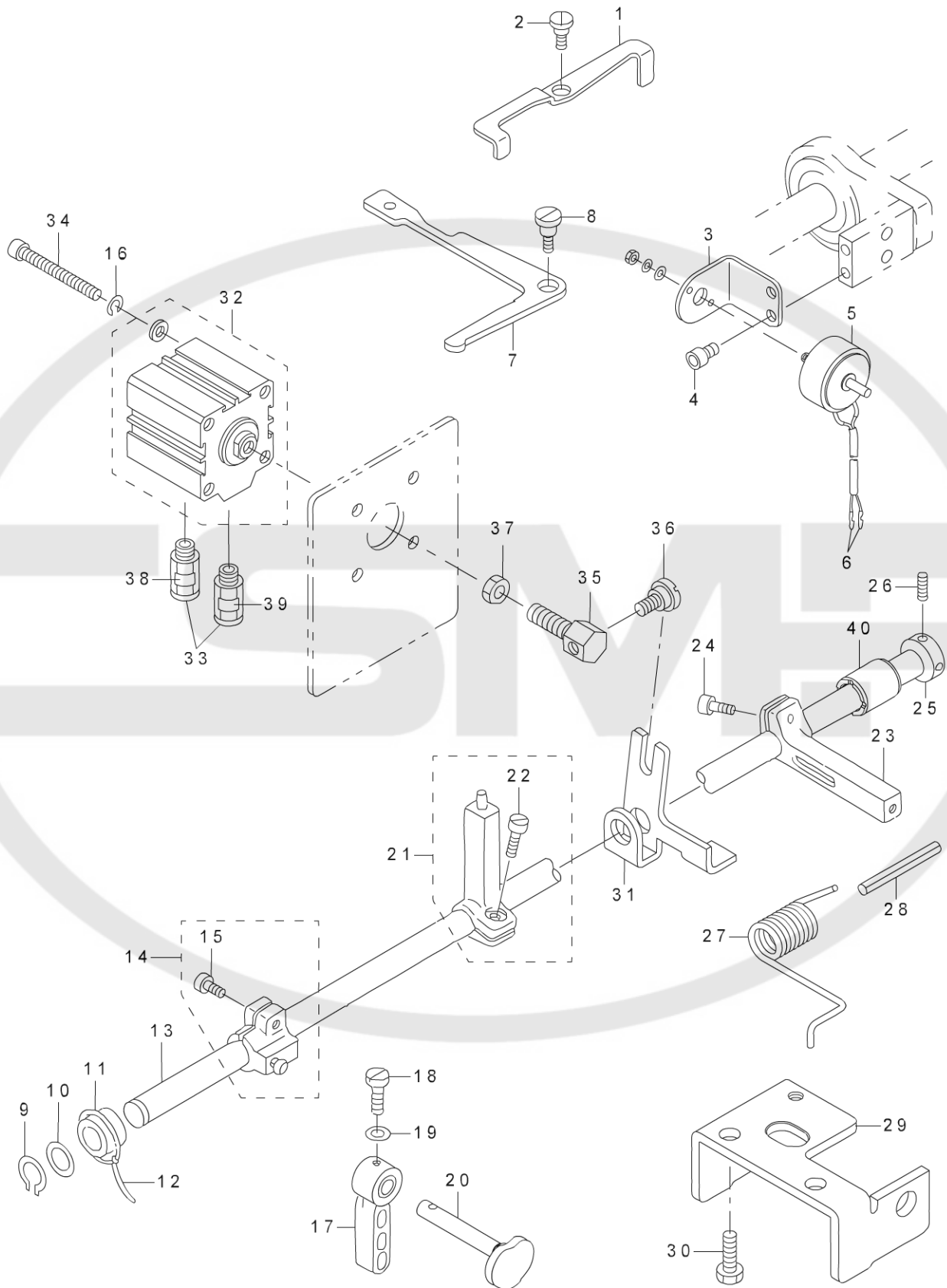




No	note	Parts No.	DESCRIPTION	Qty
1		10743300	ADJUSTMENT DIAL	1
2		10716009	ADJUSTING HINGE PIN	1
3		RC1200001KP	C-SHAPED SNAP RING	1
4		40064240	ADJUSTMENT SPRING ASM.	1
5	#01	10718351	ADJUSTMENT SPRING ASM.	1
6		10715605	SPRING RECEIVING LOWER	(1)
7		PS0300082KH	SPRING PIN 3X8	(2)
8		RE0500000K0	E-RING	(1)
9		10715506	SPRING RECEIVING UPPER	(1)
10		40052260	ADJUSTING SPRING SHAFT	(1)
11		BP600000000	VINYL PIPE	(0.1)
12		10715902	ADJUSTMENT SPRING 1.8	(1)
13	#01	10718302	ADJUSTMENT SPRING 1.4	(1)
14		SD0700332SP	HINGE SCREW D=7 H=3.5	1
15		10716603	ADJUSTING SPRING SUPPORT	1
16		NS6150430SP	NUT 15/64-28	1
17		10716108	ADJUSTING ARM	1
18		10716207	ADJUSTING ARM SHAFT	1
19		SS8120740SP	SCREW 3/16-28 L=7	1

1...#01OPTIONAL PARTS / 2... /

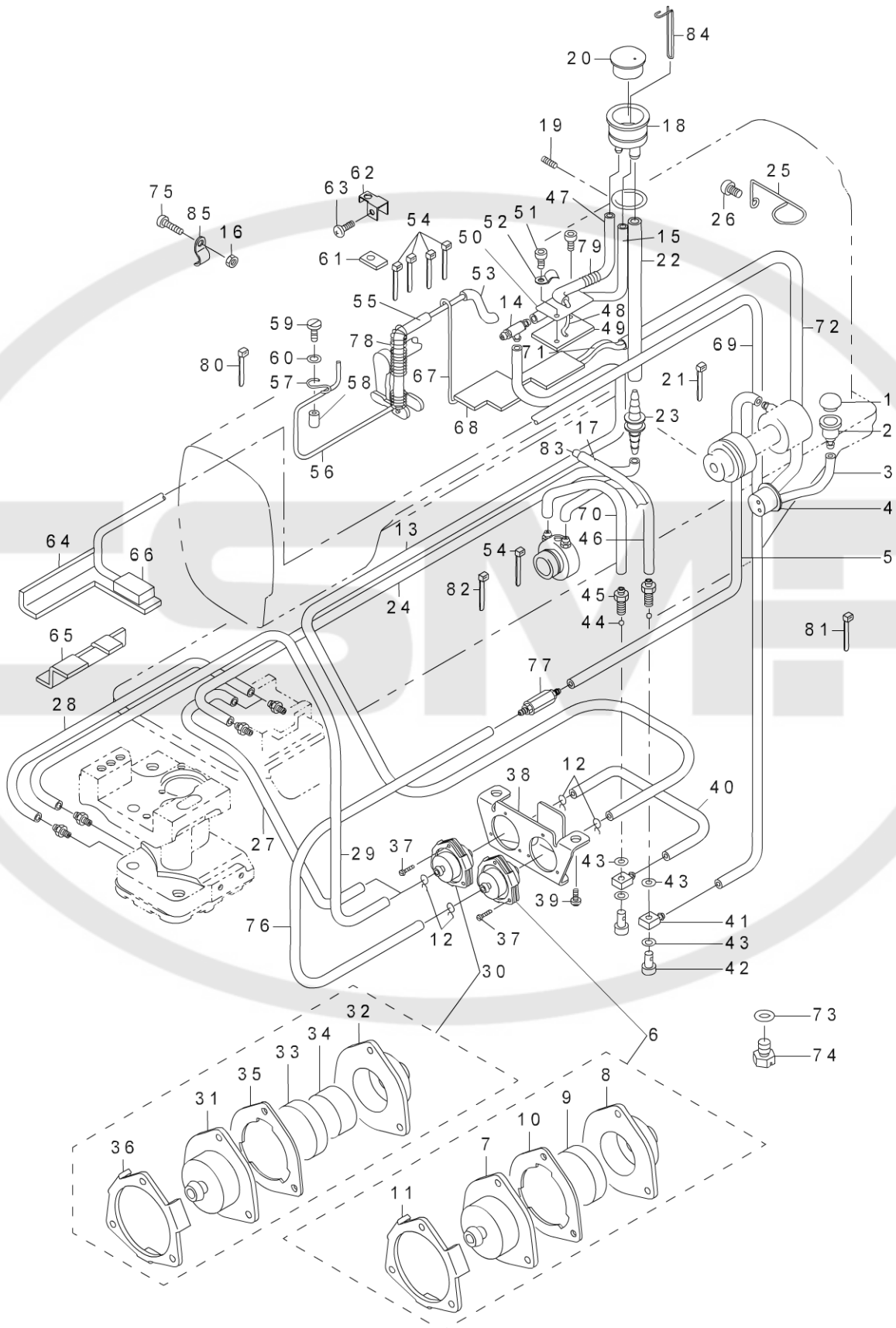




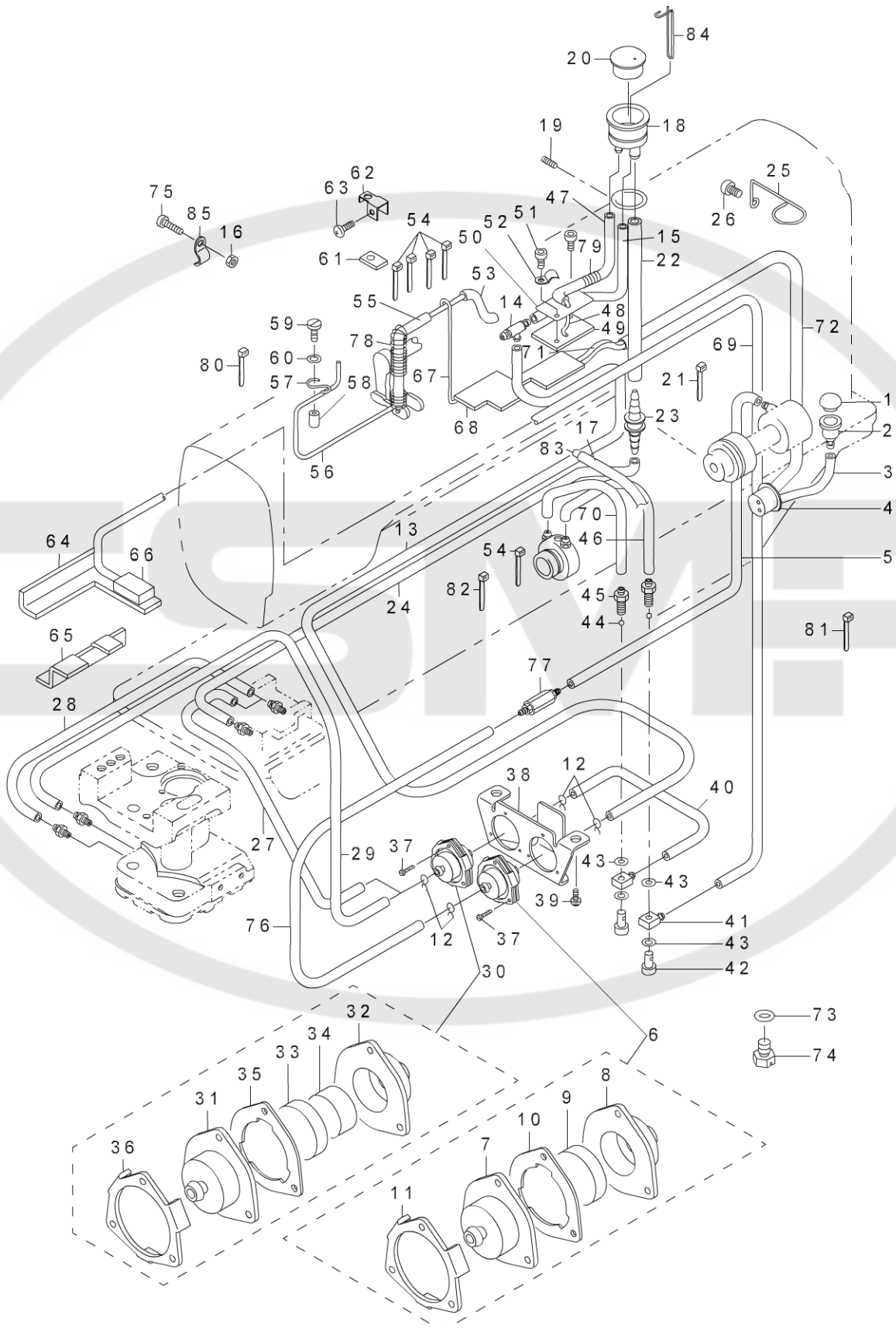
No	note	Parts No.	DESCRIPTION	Qty
1		10729010	THREAD LOOSENING ARM	1
2		SD0790203SP	HINGE SCREW D=7.94 H=2	1
3		23157506	SOLENOID FITTING PLATE	1
4		SM6050802TP	SCREW M5X0.7 L=8	2
5		23157605	THREAD LOOSENING SOLENOID	1
6		HK03464000B	PIN CONTACT	2
7		10728806	THREAD LOOSENING LEVER	1
8		SD0901201TP	HINGE SCREW D=9 H=3.2	1
9		RC1200001KP	C-SHAPED SNAP RING	1
10		WP1221016SP	WASHER	1
11		40052264	KNEE LIFT SHAFT FRONT METAL	1
12		CQ200000000	OIL WICK	0.2
13		23156904	KNEE LIFT SHAFT	1
14		10729754	PRESSER LIFT ARM ASM.	1
15		SM6051402TP	SCREW M5X0.8 L=14	(1)
16		WS0510002KN	SPRING WASHER	4
17		22907802	HAND LIFTER	1
18		SS7090910TP	SCREW 9/64-40 L=8.5	1
19		WP0371016SD	WASHER 3.7X8X1	1
20		10729606	PRESSER LIFT CAM	1
21		10729952	THREAD LOOSENING ARM ASM.	1
22		SM6061210SC	SCREW M6 L=12	(1)
23		10730109	KNEE LIFT ARM A	1
24		SM6061202TP	SCREW M6 L=12	1
25		CS1201011SH	THRUST COLLAR D=12 W=10	1
26		SS8660610TP	SCREW 1/4-40 L=6	2
27		10755502	KNEE LIFTER SPRING	1
28		PS0500452KP	SPRING PIN	1
29		10730703	KNEE SIDE SHAFT HOLDER	1
30		SM9081050SE	SCREW	2
31		10736908	PRESSER LIFT LEVER	1
32		PA400200200	AIR CYLINDER	1
33		PJ301065104	HALF UNION	2
34		SM6054502TP	SCREW M5X0.8 L=45	4
35		40052259	CYLINDER CONNECTION SCREW	1
36		SD0720331SP	HINGE SCREW D=7.24 H=3.3	1
37		NM6080001SE	NUT M8	1
38		HX00295000B	WIRE MARK(3)	1
39		HX00295000A	WIRE MARK(2)	1
40		13110101	BUSHING REAR	1

1... /



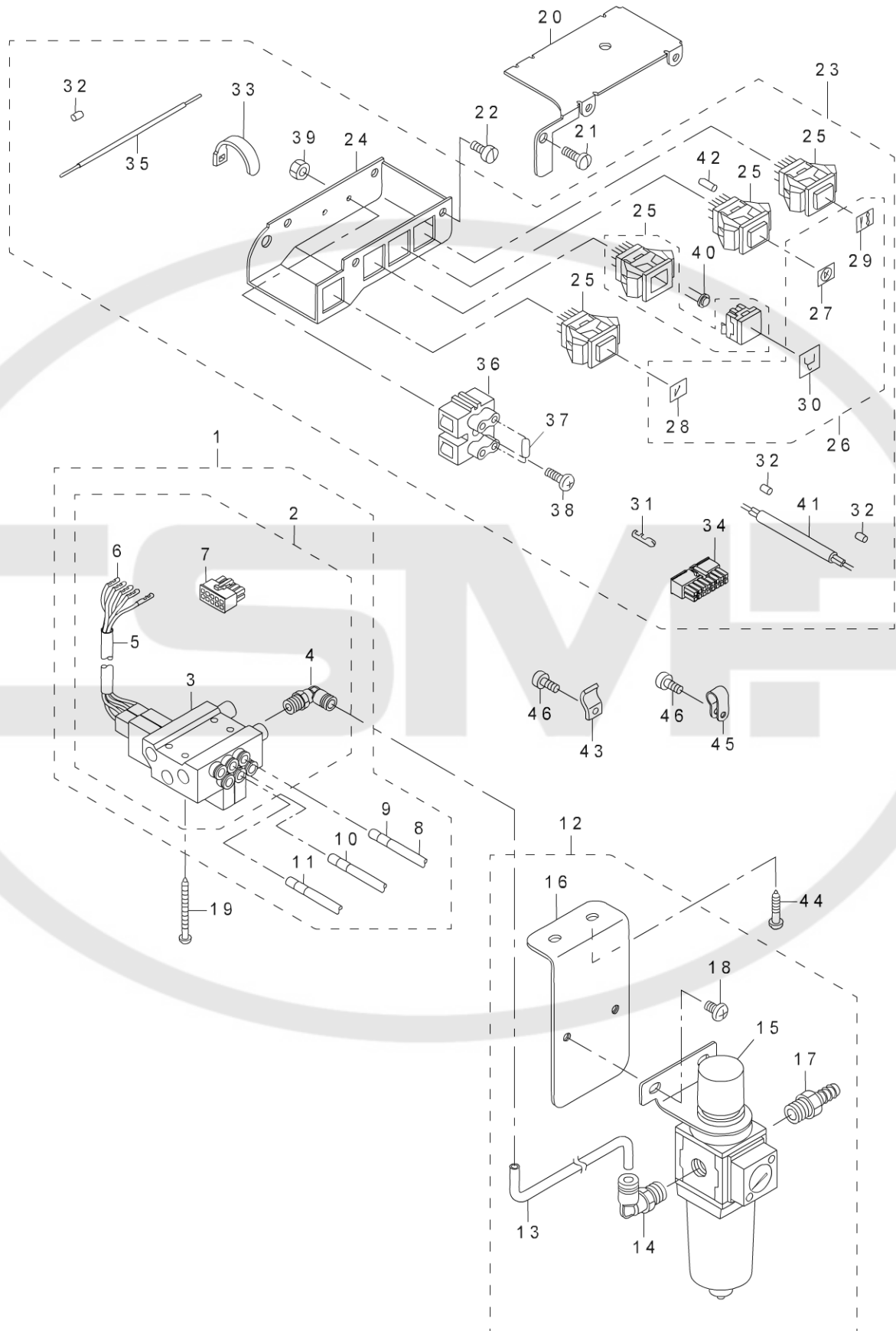


No	note	Parts No.	DESCRIPTION	Qty
1		TA145040R0	RUBBER PLUG D=14.5 L=4	1
2		10731404	LUBRICATING HOLE	1
3		BT0600402EA	OIL TUBE	0.13
4		10733004	BED TANK LUBRICATING COVER	1
5		BT0500300E0	OIL TUBE	0.16
6		10727154	FILTER A ASM.	1
7		10727105	FILTER CASE	(1)
8		10727204	FILTER CAP	(1)
9		B8228125000	OIL RESERVOIR MAGNET	(1)
10		10739209	FILTER PACKING	(1)
11		10753002	FILTER PLATE	(1)
12		10126803	OIL TUBE HOLDER	4
13		BT0500300E0	OIL TUBE	0.6
14		B3521245000	RUBBER JOINT	1
15		BT0500300E0	OIL TUBE	0.2
16		NS6110350SP	NUT 11/64-40	1
17		BT0800602E0	URETHANE TUBE 6X8 TRANSPARENT	0.14
18		10771509	OIL WINDOW	1
19		SS8150750SP	SCREW 15/64-28 L=7	1
20		10760304	OIL SIGHT WINDOW	1
21		EA9500B0000	CLIP CV-70S	3
22		BT0800602E0	URETHANE TUBE 6X8 TRANSPARENT	0.17
23		10771301	PIPE CONNECTOR B	1
24		BT0600402EA	OIL TUBE	0.83
25		23151509	CORD GUIDE	2
26		SS6121010SP	SCREW 3/16-28 L=10	1
27		BT0500300E0	OIL TUBE	0.55
28	#01	BT0600402EA	OIL TUBE	0.18
29	#01	BT0500300E0	OIL TUBE	0.64
30		10727162	FILTER B ASM.	1
31		10727105	FILTER CASE	(1)
32		10727204	FILTER CAP	(1)
33		B8228125000	OIL RESERVOIR MAGNET	(1)
34		10727303	FILTER	(1)
35		10739209	FILTER PACKING	(1)
36		10753002	FILTER PLATE	(1)
37		SM6021000TP	SCREW	6
38		10755403	FILTER FIXING PLATE	1
39		SM6061210SC	SCREW M6 L=12	2
40		BT0500300E0	OIL TUBE	0.1
41		40082707	CONNECTING SCREW	2
42		B3525357000	CONNECTING SCREW (B)	2
43		B3534012000	GASKET	4
44		21054903	BALL	2
45		10702108	CONNECTING SCREW	2
46		BT0500300E0	OIL TUBE	0.13
47		BT0600402EA	OIL TUBE	0.73
48		CQ252000000	OIL WICK	0.93
49		10732402	VERTICAL LUBRICATING FELT	1
50		10732600	LUBRICATING FELT PRESSER B	1
51		SM6050802TP	SCREW M5X0.8 L=8	2
52		D2611555B00A	CABLE HOLDER	1
53		BT0600402EA	OIL TUBE	0.45
54		EA9500B0100	CABLE BAND	11
55		BT0400251EA	TUBE HOSE BLUE	0.16
56		CQ202000000	OIL WICK	0.8
57		B1648122000	SUSPENSION HOOK (B)	1
58		10734606	FELT PRESSER SPACER	1
59		SS6081210SP	SCREW 1/8-44 L=12	1
60		WP0320501SC	WASHER M3	1
61		10733608	SWING STAND FELT UPPER	1
62		10733707	SWING STAND FELT SUPPORT UPPER	1
63		SM4040601SC	SCREW M4X0.7 L=6	1
64		10734119	RETURN CURRENT FELT	1
65		10702207	FELT	1
66		10527901	FELT	1
67		CQ252000000	OIL WICK	0.25
68		10734309	FELT	1
69		BT0500300E0	OIL TUBE	1.06
70		BT0500300E0	OIL TUBE	0.13
71		21124201	FELT	1
72		BT0800602E0	URETHANE TUBE 6X8 TRANSPARENT	0.78
73		RO068190100	RUBBER RING	1
74		40079568	DRAIN COCK	1
75		SS6111620SP	SCREW 11/64-40 L=16.0	1
76		BT0500300E0	OIL TUBE	0.16
77		23159254	CHECK VALVE	1
78		10746907	SPRING	1
79		10123701	PRESSER SPRING	1
80		EA9500B0000	CLIP CV-70S	1
81		EA9500B0200	CABLE BAND 150	2
82	#01	EA9500B0100	CABLE BAND	1
83		SQ1680701MZ	CONNECTING SCREW	1
84		10760502	LUBRICATION GUIDE BAR	1
85		D2611555B00A	CABLE HOLDER	1

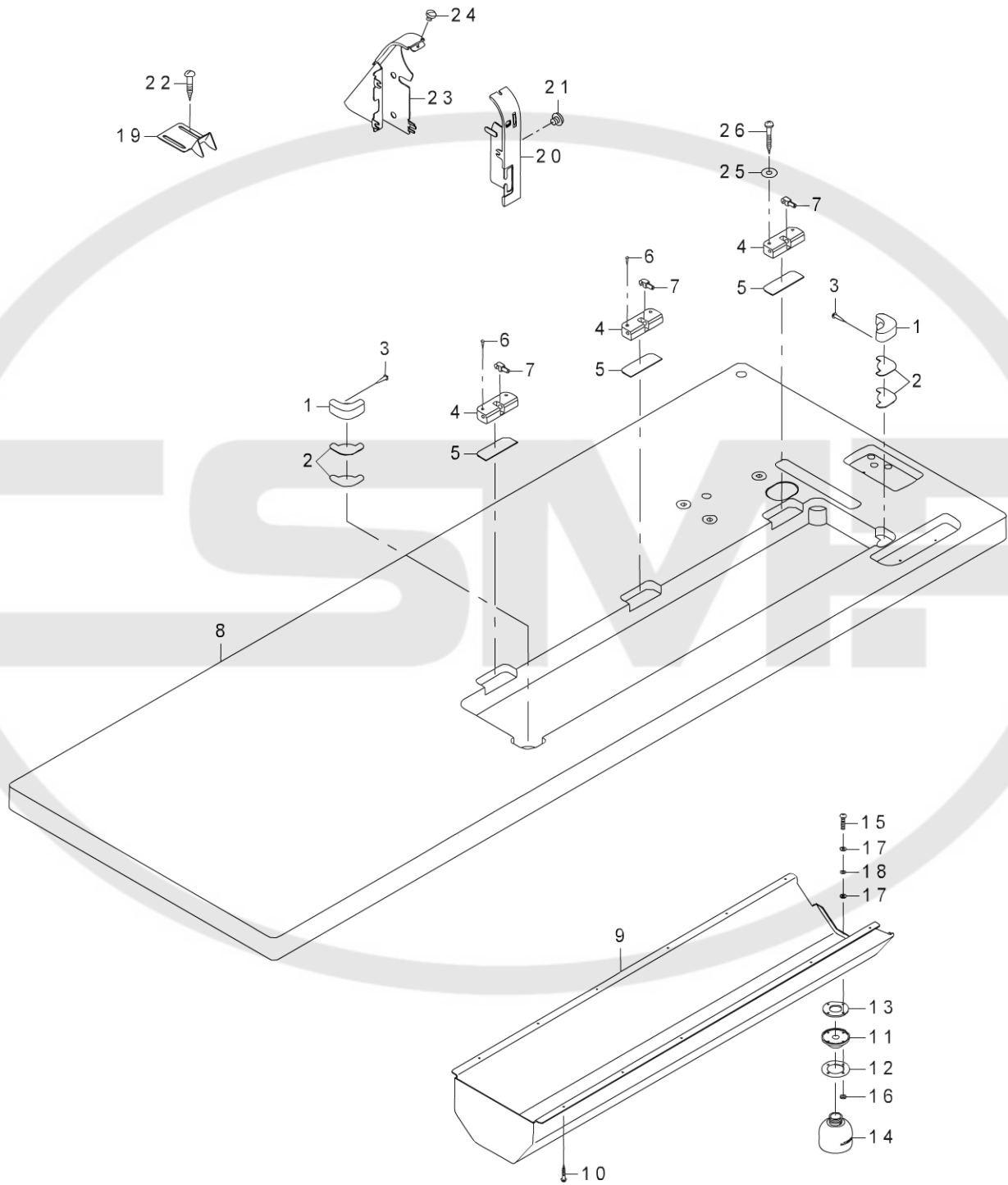


No	note	Parts No.	DESCRIPTION	Qty
1		TA145040R0	RUBBER PLUG D=14.5 L=4	1
2		10731404	LUBRICATING HOLE	1
3		BT0600402EA	OIL TUBE	0.13
4		10733004	BED TANK LUBRICATING COVER	1
5		BT0500300E0	OIL TUBE	0.16
6		10727154	FILTER A ASM.	1
7		10727105	FILTER CASE	(1)
8		10727204	FILTER CAP	(1)
9		B8228125000	OIL RESERVOIR MAGNET	(1)
10		10739209	FILTER PACKING	(1)
11		10753002	FILTER PLATE	(1)
12		10126803	OIL TUBE HOLDER	4
13		BT0500300E0	OIL TUBE	0.6
14		B3521245000	RUBBER JOINT	1
15		BT0500300E0	OIL TUBE	0.2
16		NS6110350SP	NUT 11/64-40	1
17		BT0800602E0	URETHANE TUBE 6X8 TRANSPARENT	0.14
18		10771509	OIL WINDOW	1
19		SS8150750SP	SCREW 15/64-28 L=7	1
20		10760304	OIL SIGHT WINDOW	1
21		EA9500B0000	CLIP CV-70S	3
22		BT0800602E0	URETHANE TUBE 6X8 TRANSPARENT	0.17
23		10771301	PIPE CONNECTOR B	1
24		BT0600402EA	OIL TUBE	0.83
25		23151509	CORD GUIDE	2
26		SS6121010SP	SCREW 3/16-28 L=10	1
27		BT0500300E0	OIL TUBE	0.55
28	#01	BT0600402EA	OIL TUBE	0.18
29	#01	BT0500300E0	OIL TUBE	0.64
30		10727162	FILTER B ASM.	1
31		10727105	FILTER CASE	(1)
32		10727204	FILTER CAP	(1)
33		B8228125000	OIL RESERVOIR MAGNET	(1)
34		10727303	FILTER	(1)
35		10739209	FILTER PACKING	(1)
36		10753002	FILTER PLATE	(1)
37		SM6021000TP	SCREW	6
38		10755403	FILTER FIXING PLATE	1
39		SM6061210SC	SCREW M6 L=12	2
40		BT0500300E0	OIL TUBE	0.1
41		40082707	CONNECTING SCREW	2
42		B3525357000	CONNECTING SCREW (B)	2
43		B3534012000	GASKET	4
44		21054903	BALL	2
45		10702108	CONNECTING SCREW	2
46		BT0500300E0	OIL TUBE	0.13
47		BT0600402EA	OIL TUBE	0.73
48		CQ252000000	OIL WICK	0.93
49		10732402	VERTICAL LUBRICATING FELT	1
50		10732600	LUBRICATING FELT PRESSER B	1
51		SM6050802TP	SCREW M5X0.8 L=8	2
52		D2611555B00A	CABLE HOLDER	1
53		BT0600402EA	OIL TUBE	0.45
54		EA9500B0100	CABLE BAND	11
55		BT0400251EA	TUBE HOSE BLUE	0.16
56		CQ202000000	OIL WICK	0.8
57		B1648122000	SUSPENSION HOOK (B)	1
58		10734606	FELT PRESSER SPACER	1
59		SS6081210SP	SCREW 1/8-44 L=12	1
60		WP0320501SC	WASHER M3	1
61		10733608	SWING STAND FELT UPPER	1
62		10733707	SWING STAND FELT SUPPORT UPPER	1
63		SM4040601SC	SCREW M4X0.7 L=6	1
64		10734119	RETURN CURRENT FELT	1
65		10702207	FELT	1
66		10527901	FELT	1
67		CQ252000000	OIL WICK	0.25
68		10734309	FELT	1
69		BT0500300E0	OIL TUBE	1.06
70		BT0500300E0	OIL TUBE	0.13
71		21124201	FELT	1
72		BT0800602E0	URETHANE TUBE 6X8 TRANSPARENT	0.78
73		RO068190100	RUBBER RING	1
74		40079568	DRAIN COCK	1
75		SS6111620SP	SCREW 11/64-40 L=16.0	1
76		BT0500300E0	OIL TUBE	0.16
77		23159254	CHECK VALVE	1
78		10746907	SPRING	1
79		10123701	PRESSER SPRING	1
80		EA9500B0000	CLIP CV-70S	1
81		EA9500B0200	CABLE BAND 150	2
82	#01	EA9500B0100	CABLE BAND	1
83		SQ1680701MZ	CONNECTING SCREW	1
84		10760502	LUBRICATION GUIDE BAR	1
85		D2611555B00A	CABLE HOLDER	1





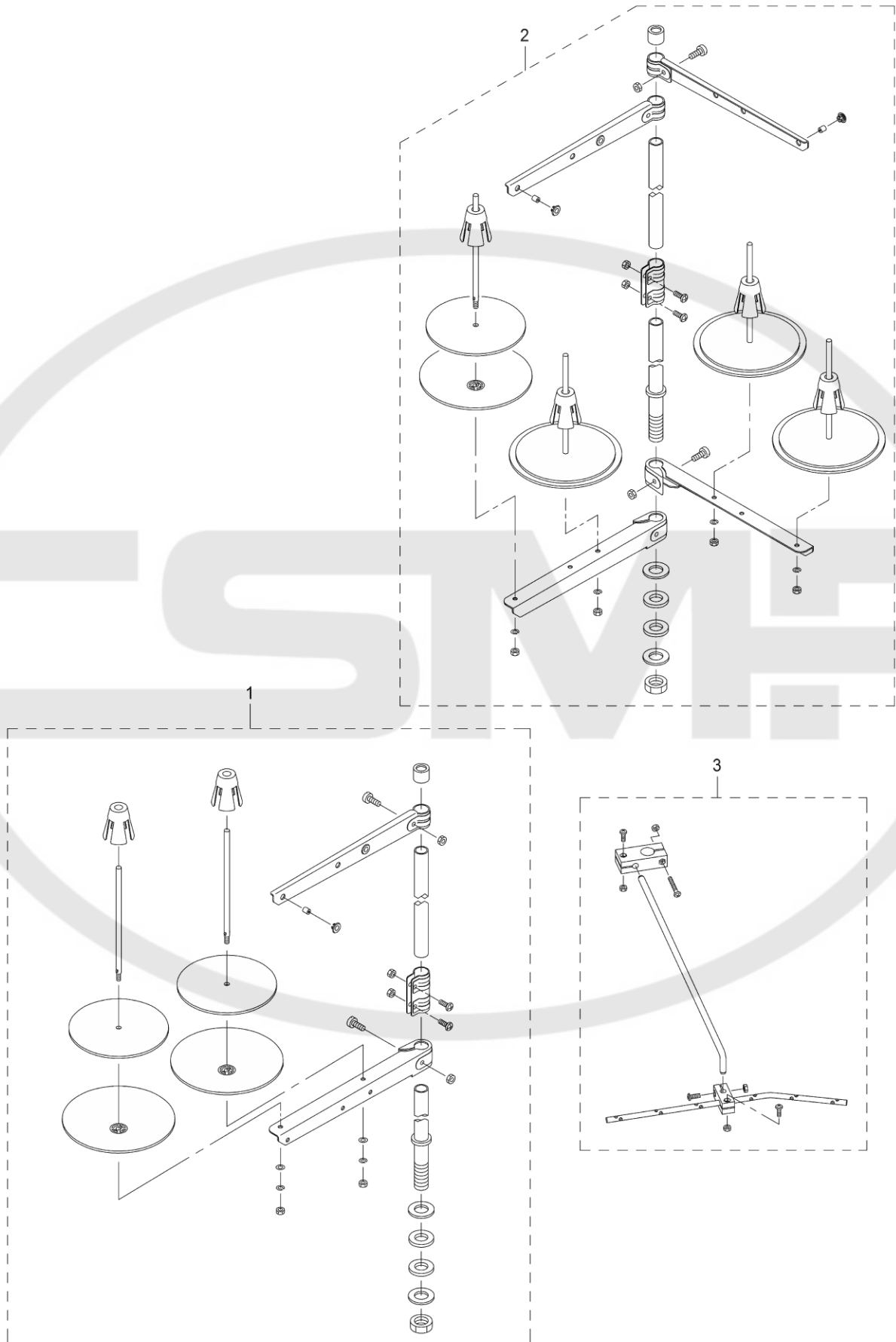
No	note	Parts No.	DESCRIPTION	Qty
1		40024969	AIR APPARATUS (A) ASM.	1
2		40024858	ELECTROMAGNETIC VALVE (C) ASM.	(1)
3		GAKA2302C00	ELECTROMAGNETIC VALVE C	(1)
4		GAK29010000	ELBOW B	(1)
5		GAKA1503000	INSULATION TUBE	(1)
6		HK03464000A	TERMINAL FEMALE	(5)
7		HK034610100	10P CONNECTOR	(1)
8		BT0600401EB	TUBE	(3)
9		HX002950000	WIRE MARK(1)	(3)
10		HX00295000A	WIRE MARK(2)	(3)
11		HX00295000B	WIRE MARK(3)	(3)
12		40038722	FILTER REGULATAR ASM.	1
13		BT0600401EB	TUBE	(1)
14		GAK29009000	ELBOW	(1)
15		PF0552170AO	FILTER REGULATOR	(1)
16		40038723	FILTER REGULATOR MOUNTING PLATE	(1)
17		40107618	NIPPLE	(1)
18		SM4061001SB	SCREW M6 L=10	(2)
19		SK3385001SE	WOOD SCREW D=3.8 L=50	4
20		10740710	TOUCH BACK SWITCH COVER	1
21		SS7120710SP	SCREW 3/16-28 L=7	2
22		SS6110610TP	SCREW 11/64-40 L=6	4
23		40103915	TOUCH BACK SWITCH ASM.	1
24		10740611	TOUCH BACK SWITCH BASE	(1)
25		10748507	TOUCH BACK SWITCH	(4)
26		40026740	BUTTON SHEET ASM. A	(1)
27		40026735	BUTTON SHEET C	(1)
28		40026733	BUTTON SHEET A	(1)
29		40026736	BUTTON SHEET E	(1)
30		40026734	BUTTON SHEET B	(1)
31		HK03464000A	TERMINAL FEMALE	(7)
32		E8760452K00	TUBE (220/240V)	(0.02)
33		EA9500B0100	CABLE BAND	(1)
34		HK034610160	16-POLE RECEPTACLE	(1)
35		HW200250000	WIRE BLACK	(0.3)
36		10741908	2-P TERMINAL BASE	(1)
37		HR029101520	RESISTOR 1.5K	(1)
38		SM4861201SC	SCREW M2.6 L=12	(1)
39		NM6860003SC	NUT M2.6	(1)
40		10740801	LED CORD	(1)
41		HW000840080	4-CORE CABTYRE CORD	(1.7)
42		E8760452D00	TUBE 0.015M	(0.15)
43		D2611555B00A	CABLE HOLDER	1
44		SK3482501SE	WOOD SCREW D=4.8 L=25	2
45		HX00123000A	CABLE CLIP	3
46		SS6121010SP	SCREW 3/16-28 L=10	4



No	note	Parts No.	DESCRIPTION	Qty
1		10742302	HEAD SUPPORT RUBBER	2
2		10740900	RUBBER	4
3		10539906	SET NAIL	4
4		10734853	HINGE ASM.	3
5		10742005	SPACER	3
6		10539906	SET NAIL	4
7		B8213012000	BED HINGE CONNECTION	3
8		23158207	TABLE (LONG BED)	1
9		23151202	OIL HOLDER (LONG)	1
10		SK3241601SC	WOOD SCREW D=2.4 L=16	11
11		40025299	OIL POT JOINT	1
12		21379003	OIL MANAGEMENT WASHER	1
13		21379003	OIL MANAGEMENT WASHER	1
14		40025300	OIL POT	1
15		SM3031401SE	SCREW M3X0.5 L=14	4
16		NM6030001SC	NUT M3	4
17		10748101	OIL REMOVING SETSCREW PACKING	8
18		WP0320501SC	WASHER M3	4
19		10755205	BELT COVER C(JE)	1
20		10755155	BELT COVER LEFT(JE)	1
21		SS5150510SP	SCREW 15/64-28 L=5	3
22		SK3482500SC	WOOD SCREW D=4.8 L=25	2
23		40059695	BELT COVER	1
24		SS7110510SP	SCREW 11/64-40 L=5	1
25		WP0501046SC	WASHER 5X13X1	2
26		SK3483201SE	WOOD SCREW D=4.8 L=32	2

1... /

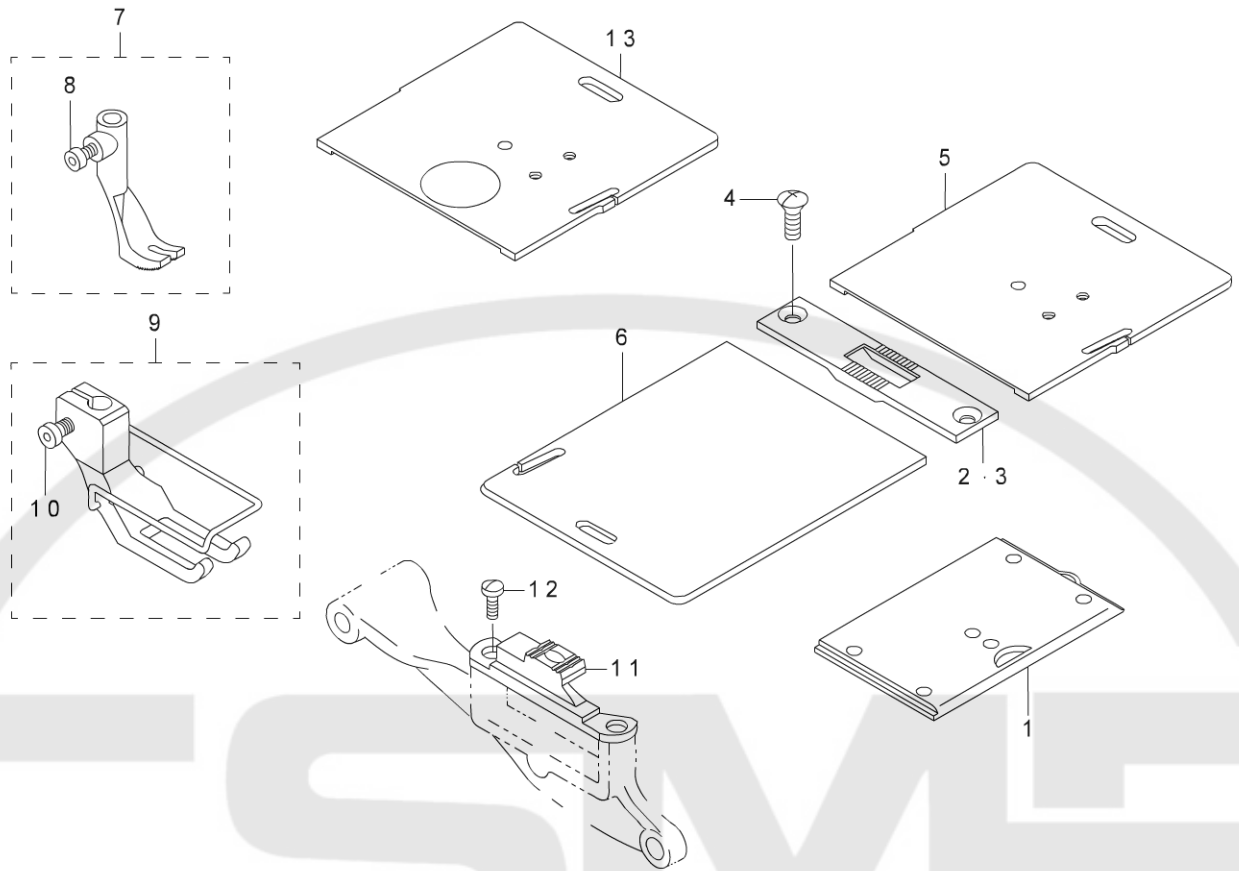




No	note	Parts No.	DESCRIPTION	Qty
1		40096354	THREAD STAND ASM.	1
2	#01	26910158	THREAD STANDING DEVICE ASM.	1
3		26910059	THREAD GUIDE ARM ASM.	1

1...#01FOR LU-2266N-7 / 2... /



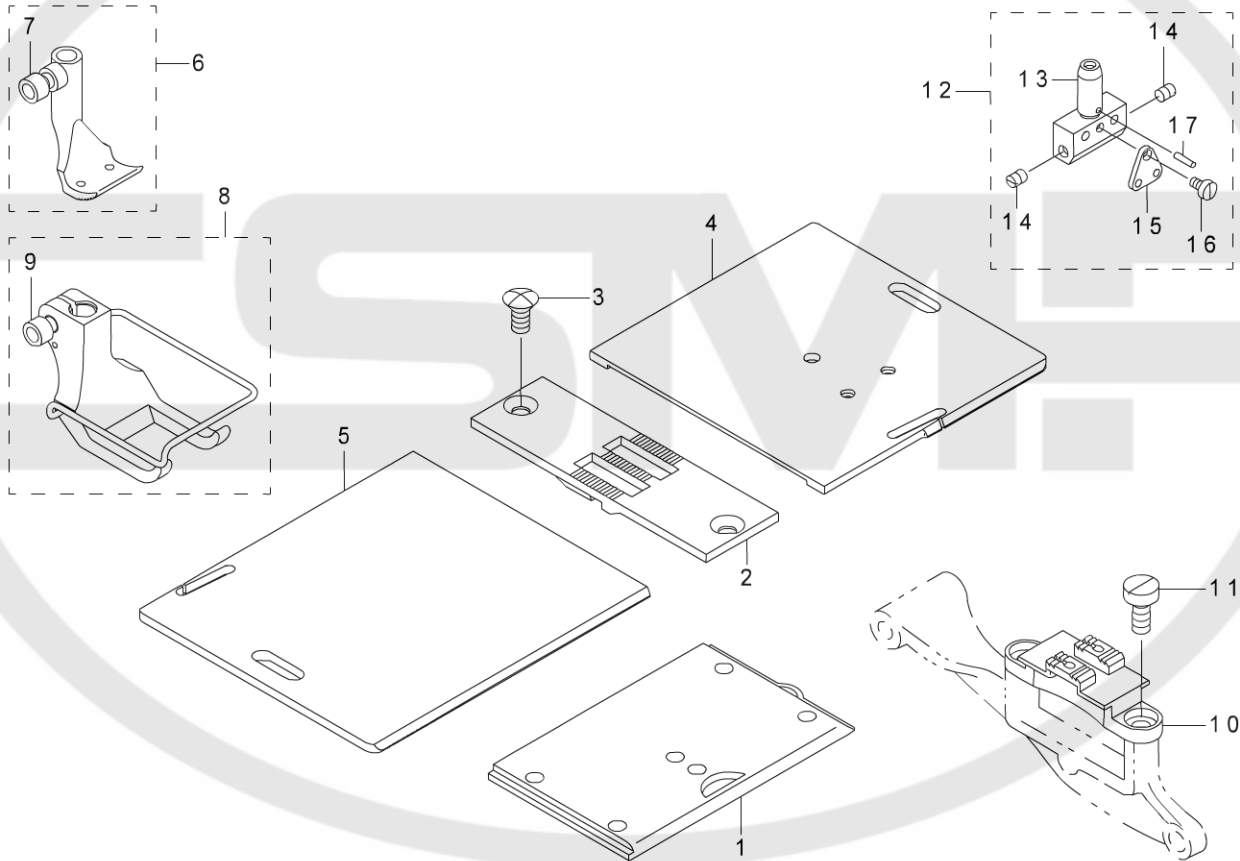


No	note	Parts No.	DESCRIPTION	Qty
1		10701654	SLIDE PLATE ASM.	1
2		10701704	THROAT PLATE	1
3	#01	10702009	THROAT PLATE	1
4		SS2110915SP	SCREW 11/64-40 L=8.5	2
5		10701803	SLIDE PLATE RIGHT	1
6		10701902	SLIDE PLATE LEFT	1
7		10711653	FEED FOOT ASM.	1
8		SM6040552TP	SCREW M4 L=4.5	(1)
9		10712552	PRESSER FOOT ASM.	1
10		SM6040802TP	SCREW M4X0.7 L=8	(1)
11		10717106	FEED DOG	1
12		SS6111010SP	SCREW 11/64-40 L=9.5	2
13	#01	10753150	SLIDER PLATE ASM. RIGHT	1

1...#01OPTIONAL PARTS / 2... /



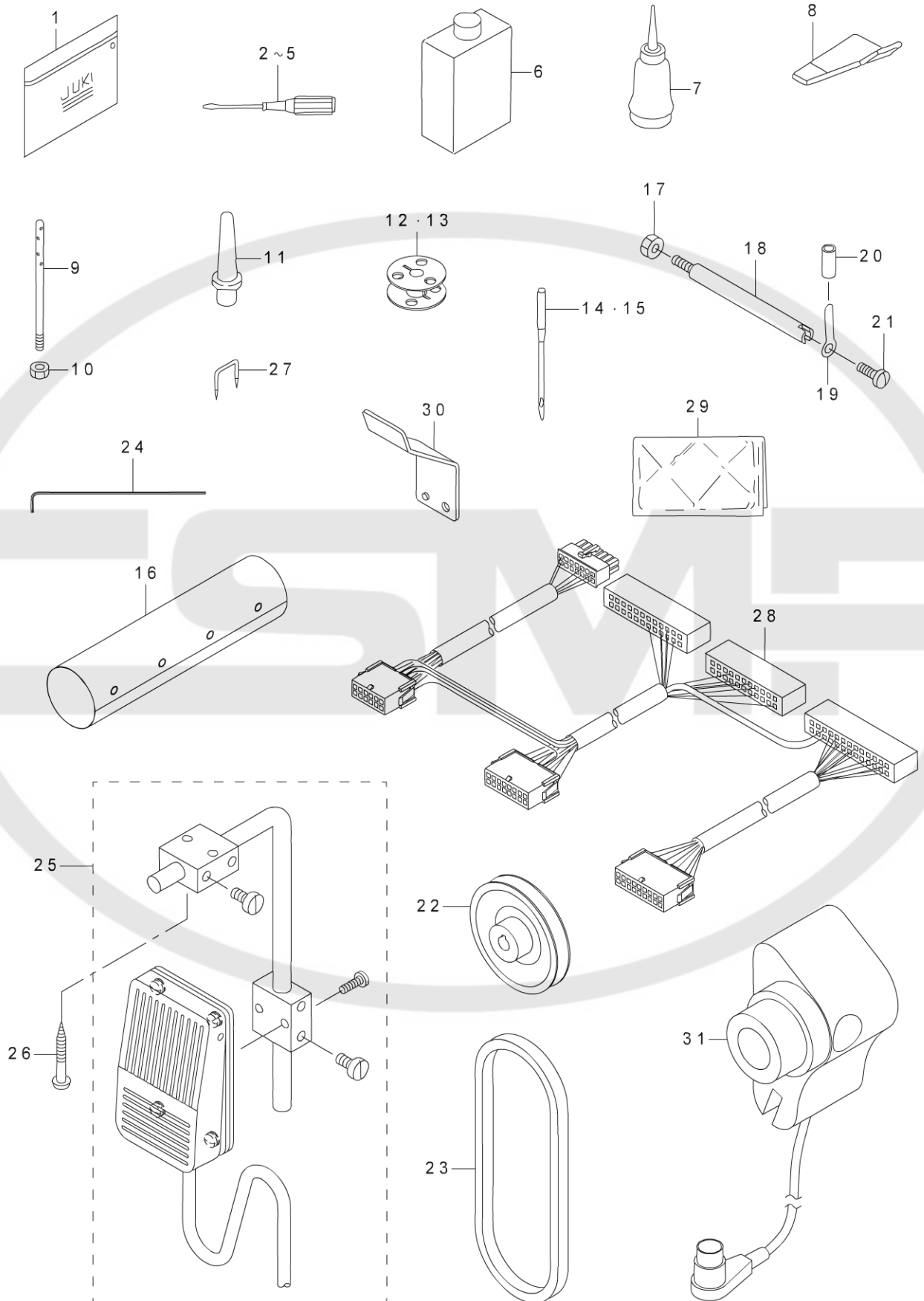




No	note	Parts No.	DESCRIPTION	Qty
1		10701654	SLIDE PLATE ASM.	1
2		10784809	THROAT PLATE(10MM)	1
3		SS2110915SP	SCREW 11/64-40 L=8.5	2
4		10786002	SLIDE PLATE RIGHT 10-18MM	1
5		10786408	SLIDE PLATE LEFT 10-18MM	1
6		10783355	FEED FOOT ASM. 10MM	1
7		SM6040552TP	SCREW M4 L=4.5	(1)
8		10781854	PRESSER FOOT ASM.	1
9		SM6040802TP	SCREW M4X0.7 L=8	(1)
10		10780302	FEED DOG	1
11		SS6111010SP	SCREW 11/64-40 L=9.5	2
12		10777852	NEEDLE CLAMP ASM.10MM	1
13		10777803	NEEDLE CLAMP 10MM	(1)
14		SS8080410TP	SCREW 1/8-44 L=3.5	(2)
15		10779007	NEEDLE BAR THREAD GUIDE 4-8MM	(1)
16		SS6060440TP	SCREW 3/32-56 L=3.5	(1)
17		PS0150065KP	SPRING PIN 1.5X6	(1)

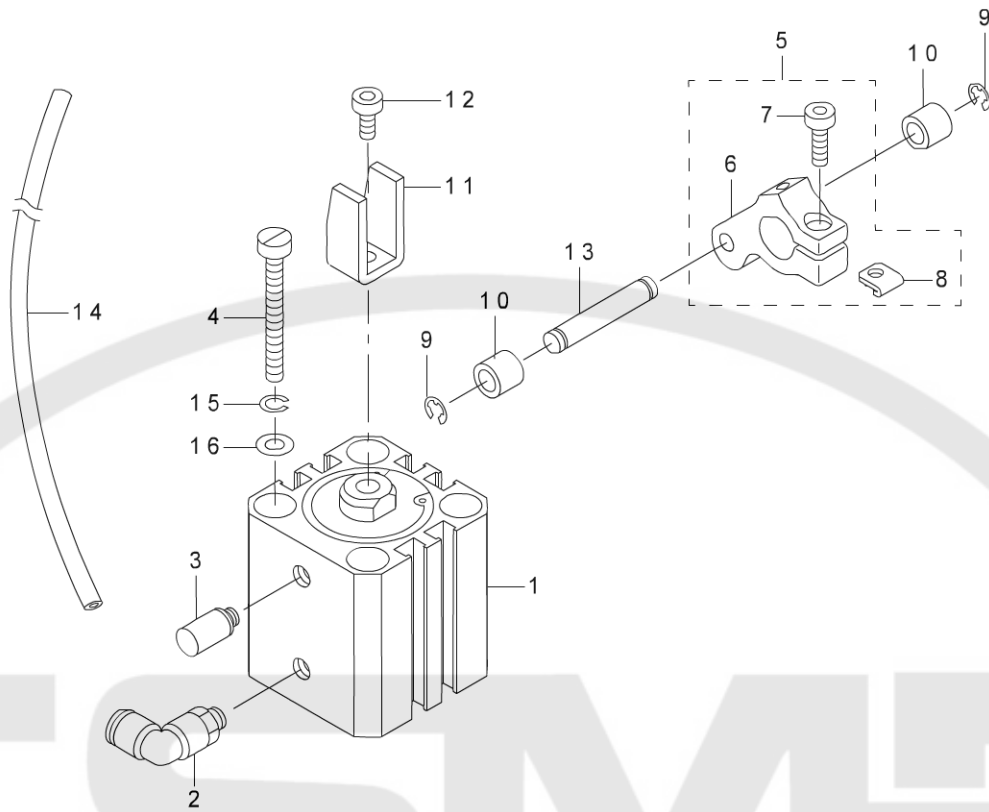
1... /





No	note	Parts No.	DESCRIPTION	Qty
1		B9101552000	ACCESSORY BOX	1
2		22933105	SCREW DRIVER MIDDLE	1
3		22933006	SCREW DRIVER LARGE	1
4		22933204	SCREW DRIVER SMALL	1
5		12347308	SCREW DRIVER (SMALL)	1
6		MDFRX1600C0	DEFRIX OIL NO.1(600CC)	1
7		B91210120A0	OILER ASM.	1
8		10742203	FIXED SURGICAL KNIFE GAUGE	1
9		40052262	THREAD GUIDE PIN	1
10		NS6620310SP	NUT 3/16-32	1
11		22931604	FRAME SUPPORT BAR	1
12		10759603	ALUMINUM BOBBIN (DOUBLE-CUT)	1
13	#01	10759603	ALUMINUM BOBBIN (DOUBLE-CUT)	2
14		MC321001402	NEEDLE 134-35 #140-2	1
15	#01	MC321001402	NEEDLE 134-35 #140-2	2
16		40102736	BUTTON TUBE	0.35
17		NS6150430SP	NUT 15/64-28	1
18		D7101245E00	SYNCHRONIZER HOLDER STUD	1
19		D7102245E00	SYNCHRONIZER HOLDER PLATE	1
20		BT0630520Z0	HOLDER COVER	0.02
21		SS7110710SP	SCREW 11/64-40 L=7	1
22		MTSP00700B0	MOTOR PULLEY ASM. P.C.D 70	1
23		MTJVH00420A	V-BELT 42 INCH	1
24	#01	10777407	WRENCH 2.5MM	1
25	#02	40025036	KNEE SWITCH ASM.	1
26	#02	SK3514000SC	WOOD SCREW D=5.1 L=40	2
27	#02	MAO11532000	CORD STAPLE	2
28		40101742	RELAY CORD ASM.	1
29		40049863	HEAD COVER	1
30		40052256	PANEL THREAD GUIDE	1
31		40026920	SYNCHRONIZER ASM	1

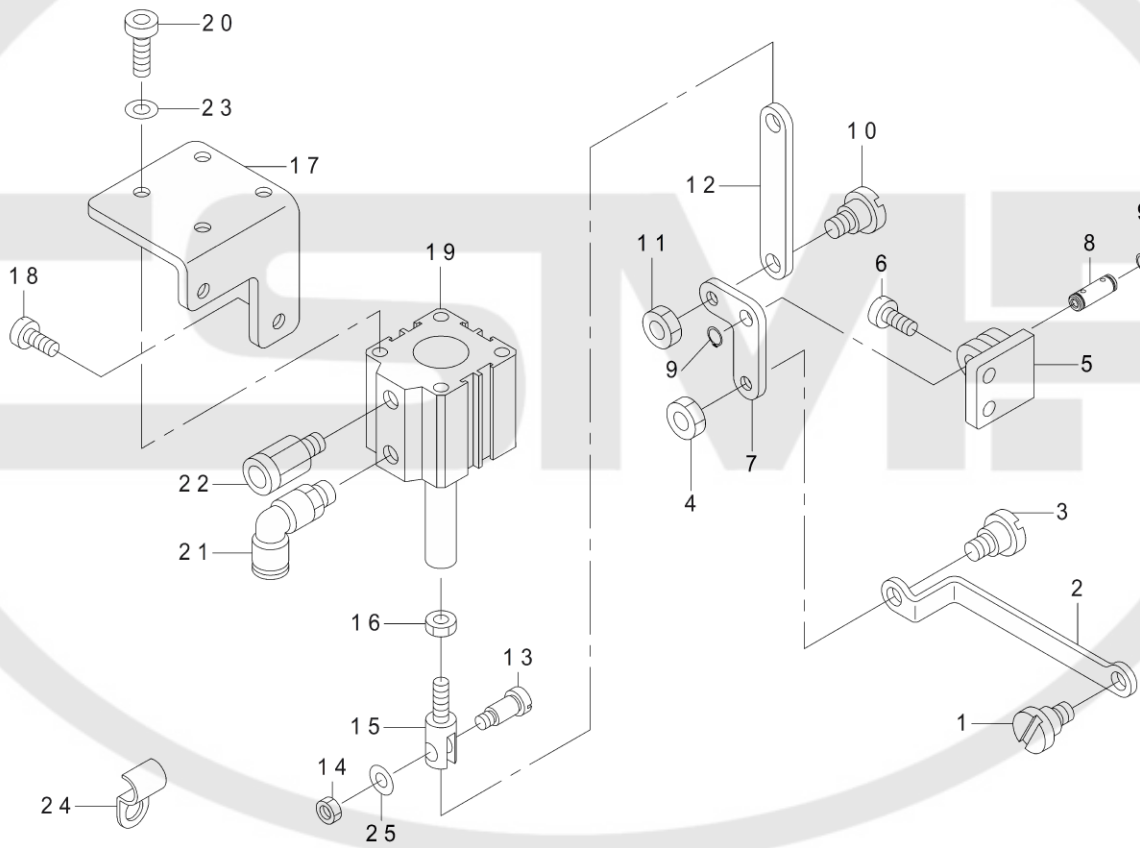
1...#01FOR LU-2266N-7 / 2...#02FOR DL KNEE SWITCH TYPE / 3... /



No	note	Parts No.	DESCRIPTION	Qty
1	#01	PA250200600	JIG CYLINDER	1
2	#01	PJ304060505	ELBOW	1
3	#01	PX050501000	SILENCER	1
4	#01	SM6044500SP	SCREW	2
5	#01	10735959	VERTICAL CYLINDER ARM ASM.	1
6		10735900	VERTICAL CYLINDER ARM	(1)
7		SM6051402TP	SCREW M5X0.8 L=14	(1)
8		10711406	SPACER B	(1)
9	#01	RE0320000K0	E-RING 3.2	2
10	#01	B3031141H00	CONNECTING STUD	2
11	#01	10736007	ROLLER HOLDER	1
12	#01	SM6050802TP	SCREW M5X0.8 L=8	1
13	#01	B1504210000	CONNECTING SHAFT	1
14	#01	BT0600401EB	TUBE	1.55
15	#01	WS0410002KN	SPRING WASHER	2
16	#01	WP0450846SP	WASHER	2

1...#01OPTIONAL PARTS / 2... /

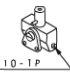

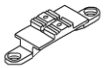
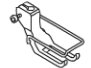









No	note	Parts No.	DESCRIPTION	Qty
1		SD0800352SP	HINGE SCREW D=8 H=3.5	1
2		10736403	BACKWARD FEED ROD	1
3		SD0800352SP	HINGE SCREW D=8 H=3.5	1
4		NS6150540SP	NUT 15/64-28	1
5		10775807	LINK FITTING BASE	1
6		SS6151440SP	SCREW 15/64-28 L=14	2
7		10775906	BACKWARD FEED LINK	1
8		10718906	VERTICAL FEED LINK SHAFT	1
9		RC0650811KP	RETAINING RING	2
10		SD0800402TP	HINGE SCREW D=8 H=4	1
11		NS6150430SP	NUT 15/64-28	1
12		10737302	CYLINDER CONNECTION RING	1
13		SD0791271SP	HINGE SCREW D=7.94 H=12.7	1
14		NS6150430SP	NUT 15/64-28	2
15		40052254	CYLINDER KNUCKLE JOINT	1
16		NM6060001SE	NUT M6	1
17		10744506	CYLINDER INSTALLATION BASE	1
18		SS6151440SP	SCREW 15/64-28 L=14	2
19		PA320150200	JIG CYLINDER	1
20		SM6061802TP	SCREW M6 L=18	4
21		PJ304065101	ELBOW UNION 6XPT1/8	1
22		PX015101000	MUFFLER	1
23		WP0641601SD	WASHER M6	4
24		B3538112000	OIL RETURN TUBE HOLDER	1
25		WP0621016SD	WASHER 6.2X13X1	1

1... /



Needle width 針幅	Set number 代表品番		Needle clamp asm. 針止め(器)		Needle rod thread rack 針棒糸かけ		Feed dog 送り器		Presser foot asm. 押え足(器)		Finger guard 番カシ	
			 SS-8080410-1P		 SS-5060440-1P							
mm	Ref. No.	Parts No.	Ref. No.	Parts No.	Ref. No.	Parts No.	Ref. No.	Parts No.	Ref. No.	Parts No.	Ref. No.	Parts No.
(4)	1	107-84551	14	107-77555	27	107-79007	30	107-80005	43	107-81557	56	107-86903
6	2	107-84650	15	107-77654	27	107-79007	31	107-80104	44	107-81656	56	107-86903
8	3	107-84759	16	107-77753	27	107-79007	32	107-80203	45	107-81755	56	107-86903
10	4	107-84858	17	107-77852	27	107-79007	33	107-80302	46	107-81854	57	107-87000
12	5	107-84957	18	107-77951	28	107-79106	34	107-80401	47	107-81953	57	107-87000
(14)	6	107-85053	19	107-78058	28	107-79106	35	107-80500	48	107-82050	58	107-87109
(16)	7	107-85152	20	107-78157	28	107-79106	36	107-80609	49	107-82159	58	107-87109
(18)	8	107-85251	21	107-78256	28	107-79106	37	107-80708	50	107-82258	58	107-87109
20	9	107-85350	22	107-78355	29	B1403-526-000	38	107-80807	51	107-82357	59	107-87208
(22)	10	107-85459	23	107-78454	29	B1403-526-000	39	107-80906	52	107-82456	59	107-87208
(24)	11	107-85558	24	107-78553	29	B1403-526-000	40	107-81003	53	107-82555	59	107-87208
(30)	12	107-85657	25	107-78652	29	B1403-526-000	41	107-81102	54	107-82654	60	107-87307
(36)	13	107-85756	26	107-78751	29	B1403-526-000	42	107-81201	55	107-82753	61	107-87406

Needle width 針幅	Set number 代表品番		Waking foot asm. 送り足(器)		Throat plate 押板		Sliding plate (left) 滑り板(左)		Sliding plate (right) 滑り板(右)	
					 Max. stitch length=5mm 最大送りレウツ=5mm					
mm	Ref. No.	Parts No.	Ref. No.	Parts No.	Ref. No.	Parts No.	Ref. No.	Parts No.	Ref. No.	Parts No.
(4)	1	107-84551	62	107-83058	75	107-84507	88	107-86309	92	107-01803
6	2	107-84650	63	107-83157	76	107-84601	88	107-86309	92	107-01803
8	3	107-84759	64	107-83256	77	107-84700	88	107-86309	92	107-01803
10	4	107-84858	65	107-83355	78	107-84809	89	107-86408	93	107-86002
12	5	107-84957	66	107-83454	79	107-84908	89	107-86408	93	107-86002
(14)	6	107-85053	67	107-83553	80	107-85004	89	107-86408	93	107-86002
(16)	7	107-85152	68	107-83652	81	107-85103	89	107-86408	93	107-86002
(18)	8	107-85251	69	107-83751	82	107-85202	89	107-86408	93	107-86002
20	9	107-85350	70	107-83850	83	107-85301	90	107-86507	94	107-86101
(22)	10	107-85459	71	107-83959	84	107-85400	90	107-86507	94	107-86101
(24)	11	107-85558	72	107-84056	85	107-85509	90	107-86507	94	107-86101
(30)	12	107-85657	73	107-84155	86	107-85608	90	107-86507	94	107-86101
(36)	13	107-85756	74	107-84254	87	107-85707	91	107-86606	95	107-86200

Note... Sets having ( ) with needle width are specially made to order.  
Sliding plate(right) and sliding plate(left) are not included in the set nos.

注記... 針幅に( )のついているセットは、特別注文部品です。  
代表品番の構成内容に滑り板(右)、滑り板(左)は含まれません。

No	note	Parts No.	DESCRIPTION	Qty
1		10784551	GAUGE SET 4MM	1
2		10784650	GAUGE SET 6MM	1
3		10784759	GAUGE SET 8MM	1
4		10784858	GAUGE SET 10MM	1
5		10784957	GAUGE SET 12MM	1
6		10785053	GAUGE SET 14MM	1
7		10785152	GAUGE SET 16MM	1
8		10785251	GAUGE SET 18MM	1
9		10785350	GAUGE SET 20MM	1
10		10785459	GAUGE SET 22MM	1
11		10785558	GAUGE SET 24MM	1
12		10785657	GAUGE SET 30MM	1
13		10785756	GAUGE SET 36MM	1
14		10777555	NEEDLE CLAMP ASM. 4MM	1
15		10777654	NEEDLE CLAMP ASM. 6MM	1
16		10777753	NEEDLE CLAMP ASM. 8MM	1
17		10777852	NEEDLE CLAMP ASM. 10MM	1
18		10777951	NEEDLE CLAMP ASM. 12MM	1
19		10778058	NEEDLE CLAMP ASM. 14MM	1
20		10778157	NEEDLE CLAMP ASM. 16MM	1
21		10778256	NEEDLE CLAMP ASM. 18MM	1
22		10778355	NEEDLE CLAMP ASM. 20MM	1
23		10778454	NEEDLE CLAMP ASM. 22MM	1
24		10778553	NEEDLE CLAMP ASM. 24MM	1
25		10778652	NEEDLE CLAMP ASM. 30MM(SP)	1
26		10778751	NEEDLE CLAMP ASM. 36MM	1
27		10779007	NEEDLE BAR THREAD GUIDE 4-8MM	1
28		10779106	NEEDLE BAR THREAD GUIDE PLATE	1
29		B1403526000	THREAD GUIDE	1
30		10780005	FEED DOG (4MM)	1
31		10780104	FEED DOG (6MM)	1
32		10780203	FEED DOG (8MM)	1
33		10780302	FEED DOG (10MM)	1
34		10780401	FEED DOG (12MM)	1
35		10780500	FEED DOG (14MM)	1
36		10780609	FEED DOG (16MM)	1
37		10780708	FEED DOG (18MM)	1
38		10780807	FEED DOG (20MM)	1
39		10780906	FEED DOG (22MM)	1
40		10781003	FEED DOG (24MM)	1
41		10781102	FEED DOG 30MM(SP)	1
42		10781201	FEED DOG 36MM	1
43		10781557	PRESSER FOOT ASM. 4MM	1
44		10781656	PRESSER FOOT ASM. 6MM	1
45		10781755	PRESSER FOOT ASM. 8MM	1
46		10781854	PRESSER FOOT ASM. 10MM	1
47		10781953	PRESSER FOOT ASM. 12MM	1
48		10782050	PRESSER FOOT ASM. 14MM	1
49		10782159	PRESSER FOOT ASM. 16MM	1
50		10782258	PRESSER FOOT ASM. 18MM	1
51		10782357	PRESSER FOOT ASM. 20MM	1
52		10782456	PRESSER FOOT ASM. 22MM	1
53		10782555	PRESSER FOOT ASM. 24MM	1
54		10782654	PRESSER FOOT ASM. 30MM(SP)	1
55		10782753	PRESSER FOOT ASM. 36MM	1
56		10788903	FINGER GUARD COVER (4-8MM)	1
57		10787000	FINGER GUARD COVER (10-12MM)	1
58		10787109	FINGER GUARD COVER (14-18MM)	1
59		10787208	FINGER GUARD COVER (20-24MM)	1
60		10787307	FINGER GUARD COVER (30MM)	1
61		10787406	FINGER GUARD COVER (36MM)	1
62		10783058	FEED FOOT ASM. 4MM	1
63		10783157	FEED FOOT ASM. 6MM	1
64		10783256	FEED FOOT ASM. 8MM	1
65		10783355	FEED FOOT ASM. 10MM	1
66		10783454	FEED FOOT ASM. 12MM	1
67		10783553	FEED FOOT ASM. 14MM	1
68		10783652	FEED FOOT ASM. 16MM	1
69		10783751	FEED FOOT ASM. 18MM	1
70		10783850	FEED FOOT ASM. 20MM	1
71		10783959	FEED FOOT ASM. 22MM	1
72		10784056	FEED FOOT ASM. 24MM	1
73		10784155	FEED FOOT ASM. 30MM(SP)	1
74		10784254	FEED FOOT ASM. 36MM	1
75		10784502	THROAT PLATE (4MM)	1
76		10784601	THROAT PLATE (6MM)	1
77		10784700	THROAT PLATE (8MM)	1
78		10784809	THROAT PLATE (10MM)	1
79		10784908	THROAT PLATE (12MM)	1
80		10785004	THROAT PLATE (14MM)	1
81		10785103	THROAT PLATE (16MM)	1
82		10785202	THROAT PLATE (18MM)	1
83		10785301	THROAT PLATE (20MM)	1
84		10785400	THROAT PLATE (22MM)	1
85		10785509	THROAT PLATE (24MM)	1
86		10785608	THROAT PLATE 30MM(SP)	1
87		10785707	THROAT PLATE 36MM	1
88		10786309	SLIDE PLATE LEFT 4-8MM	1
89		10786408	SLIDE PLATE LEFT 10-18MM	1
90		10786507	SLIDE PLATE LEFT 20-30MM	1

No	note	Parts No.	DESCRIPTION	Qty
91		10786606	SLIDING PLATE LEFT 36MM	1
92		10701803	SLIDE PLATE RIGHT	1
93		10786002	SLIDE PLATE RIGHT 10-18MM	1
94		10786101	SLIDE PLATE RIGHT 20-30MM	1
95		10786200	SLIDING PLATE RIGHT 36MM	1

1...#01FOR LU-2266N-7 / 2... / 1... / 1...#01FOR LU-2266N-7 / 2... / 1... / 1...#01FOR LU-2266N-7 / 2... / 1... / 1...#01FOR YU(HEAD WHEN DELIVERING ONLY.) / 2... / 1... / 1...#01SELECTIVE PARTS / 2...#02FOR LU-2216N-7 / 3... / 1...#01SELECTIVE PARTS / 2... / 1...#01FOR LU-2266N-7 / 2...#02FOR LU-2216N-7 / 3...#03OPTIONAL PARTS / 4... / 1... / 1...#01OPTIONAL PARTS / 2... / 1... / 1...#01FOR LU-2266N-7 / 2... / 1... / 1... / 1...#01FOR LU-2266N-7 / 2... / 1...#01OPTIONAL PARTS / 2... / 1... / 1...#01FOR LU-2266N-7 / 2...#02FOR DL KNEE SWITCH TYPE / 3... / 1...#01OPTIONAL PARTS / 2... / 1... / 1... /



Walking foot 上送り足	1		2		3		4		5		6		7		8		*01			
	Ref. No.	Part No.	Ref. No.	Part No.	Ref. No.	Part No.	Ref. No.	Part No.	Ref. No.	Part No.	Ref. No.	Part No.	Ref. No.	Part No.	Ref. No.	Part No.	Ref. No.	Part No.		
Presser foot 押込足	1	107-11653	2	107-11752	3	107-11851	4	107-11950	5	107-45354	6	107-46352	7	107-46552	8	107-46553	13	107-12354	14	107-12057
	Ref. No.	Part No.	Ref. No.	Part No.	Ref. No.	Part No.	Ref. No.	Part No.	Ref. No.	Part No.	Ref. No.	Part No.	Ref. No.	Part No.	Ref. No.	Part No.	Ref. No.	Part No.	Ref. No.	Part No.
	15	107-12552	Standard 標準		—	—	—	—	—	—	—	—	—	—	—	—	○	—	—	—
	16	107-58456	*02		—	—	—	—	—	—	—	—	—	—	—	—	○	—	—	—
17	107-12651	*03		—	—	—	—	—	—	—	—	—	—	—	—	○	—	—	—	
18	107-12750	*04		*05		—	—	—	—	—	—	—	—	—	—	—	—	—	—	

- \*01... Without groove.  
溝無しタイプ  
To be used when the thread cannot be grasped at the sewing start.  
縫い始めに糸が絡みにくい時に使用
- \*02... For overlapped sections of material.  
段部用  
Common type for overlapped sections and flat sections.  
Intermediate type between 10712552 and 10712651.  
段部用・平部でも使用できる両用タイプ。10712552と10712651の中間タイプ
- \*03... For overlapped sections of material.  
段部用  
To be used when overlapped sections cannot be smoothly fed.  
段部での乗り越えが悪い時に使用
- \*04... For light-weight sponge.  
薄いスポンジ用  
To be used for resilient materials such as sponge.  
スポンジ等の弾力性の有る素材に使用
- \*05... For heavy-weight sponge.  
厚いスポンジ用  
To be used for further resilient materials.  
より弾力性の有る素材に使用

No	note	Parts No.	DESCRIPTION	Qty
1		10711653	FEED FOOT ASM.	1
2		10711752	FEEDING FOOT (URETHANE)	1
3		10711851	FEEDING FOOT ASM. RIGHT	1
4		10711950	FEEDING FOOT ASM. LEFT	1
5		10745354	FEEDING FOOT (PIPING) 3MM	1
6		10745453	FEEDING FOOT (PIPING) 4MM	1
7		10745552	FEEDING FOOT (PIPING) 5MM	1
8		10745651	FEEDING FOOT (PIPING) 6MM	1
9		10746352	FEEDING FOOT (PIPING) 3MM ADJUSTABLE	1
10		10746451	FEEDING FOOT (PIPING) 4MM ADJUSTABLE	1
11		10746550	FEEDING FOOT (PIPING) 5MM ADJUSTABLE	1
12		10746659	FEEDING FOOT (PIPING) 6MM ADJUSTABLE	1
13		10712354	FEED FOOT ASM.	1
14		10712057	FEED FOOT ASM.	1
15		10712552	PRESSER FOOT ASM.	1
16		10758456	PRESSER FOOT ASM.	1
17		10712651	PRESSER FOOT ASM	1
18		10712750	PRESSER FOOT URETHANE	1

1... /



Walking foot 送り足									Ref No	Part No	Ref No	Part No	Ref No	Part No	Ref No	Part No	Ref No	Part No	Ref No	Part No												
	1	2	3	4	5	6	7	8													9	10	11	12	13	14						
Presser foot 押え足	1	107-11653	2	107-11752	3	107-11851	4	107-11950	5	107-45354	9	107-46352	6	107-45453	10	107-46451	7	107-45352	11	107-46350	8	107-45551	12	107-46655	13	107-12354	14	107-12057				
	15	107-12859	—	—		—	—	—	—	—	—	—	—	—	—	—	—	—	—	—	—	—	—	—	—	—	—	—				
	16	107-12958	—	—	—		—	—	—	—	—	—	—	—	—	—	—	—	—	—	—	—	—	—	—	—	—	—				
	17	107-47350	—	—	—	—	—	—		Adjustable 調整式		*05	—	—	—	—	—	—	—	—	—	—	—	—	—	—	—	—	—			
	18	107-47459	—	—	—	—	—	—					—	—	—	—	—	—	—	—	—	—	—	—	—	—	—	—	—	—	—	—
	19	107-47558	—	—	—	—	—	—					—	—	—	—	—	—	—	—	—	—	—	—	—	—	—	—	—	—	—	—
	20	107-47657	—	—	—	—	—	—					—	—	—	—	—	—	—	—	—	—	—	—	—	—	—	—	—	—	—	—
	21	107-13055	—	—	—	—	—	—	—	—	—	—	—	—	—	—	—	—	—	—	—	—	—	—	—	—	—	*06				

Feed dog 送り歯			
	3.3mm 2.2mm Standard 標準		3.3mm *01 2.2mm
	2.5mm 1.6mm For fine thread 細糸用		3.3mm 2.2mm Wide type 幅広タイプ
Ref No	22	23	24
Part No	107-17106	107-17205	107-17304
			107-39001

Throat plate 針板	
	Standard 標準
	Wide type 幅広タイプ
Ref No	26
Part No	107-01704
	27
	107-02009

For machining 加工用			Swing edge guide 吊り定規
	To be machined to a walking foot 送り足加工用		
	Type B to be machined to a walking foot 送り足加工用B		
Ref No	28	29	31
Part No	107-12255	107-48358	MAH-152010A0
		30	
		107-13253	

- \*01... Without groove.  
溝無しタイプ  
To be used when the thread cannot be grasped at the sewing start.  
縫い始めに糸が絡みにくい時に使用
- \*02... Right-edge presser.  
右片押え  
To be used to sew edges of material.  
エッジを縫製する場合に使用
- \*03... Left-edge presser.  
左片押え  
To be used to sew edges of material.  
エッジを縫製する場合に使用
- \*04... For piping.  
パイピング用  
To be used for general piping processes.  
一般のパイピング工程に使用
- \*05... For piping.  
パイピング用  
Permits adjustment of the needle position with respect to the pipe.  
パイプに対する針の位置が調整出来ます。
- \*06... Wide type.  
幅広タイプ  
To be used when a sewing product cannot be smoothly fed.  
縫製物の送りが悪い場合に使用

No	note	Parts No.	DESCRIPTION	Qty
1		10711653	FEED FOOT ASM.	1
2		10711752	FEEDING FOOT (URETHANE)	1
3		10711851	FEEDING FOOT ASM. RIGHT	1
4		10711950	FEEDING FOOT ASM. LEFT	1
5		10745354	FEEDING FOOT (PIPING) 3MM	1
6		10745453	FEEDING FOOT (PIPING) 4MM	1
7		10745552	FEEDING FOOT (PIPING) 5MM	1
8		10745651	FEEDING FOOT (PIPING) 6MM	1
9		10746352	FEEDING FOOT (PIPING) 3MM ADJUSTABLE	1
10		10746451	FEEDING FOOT (PIPING) 4MM ADJUSTABLE	1
11		10746550	FEEDING FOOT (PIPING) 5MM ADJUSTABLE	1
12		10746659	FEEDING FOOT (PIPING) 6MM ADJUSTABLE	1
13		10712354	FEED FOOT ASM.	1
14		10712057	FEED FOOT ASM.	1
15		10712859	FEEDING FOOT RIGHT	1
16		10712958	PRESSER FOOT LEFT	1
17		10747350	PRESSER FOOT (PIPING) 3MM	1
18		10747459	PRESSER FOOT (PIPING) 4MM	1
19		10747558	PRESSER FOOT (PIPING) 5MM	1
20		10747657	PIPING FOOT 6MM	1
21		10713055	FEED FOOT ASM.	1
22		10717106	FEED DOG	1
23		10717205	FEED DOG W10 GROOVE	1
24		10717304	FEED DOG (THIN THREAD)	1
25		10739001	FEED DOG	1
26		10701704	THROAT PLATE	1
27		10702009	THROAT PLATE	1
28		10712255	FEED FOOT ASM.	1
29		10748358	PRESSER FOOT ASM.	1
30		10713253	PRESSER FOOT ASM.	1
31		MAH152010A0	RULER	1

1... /



