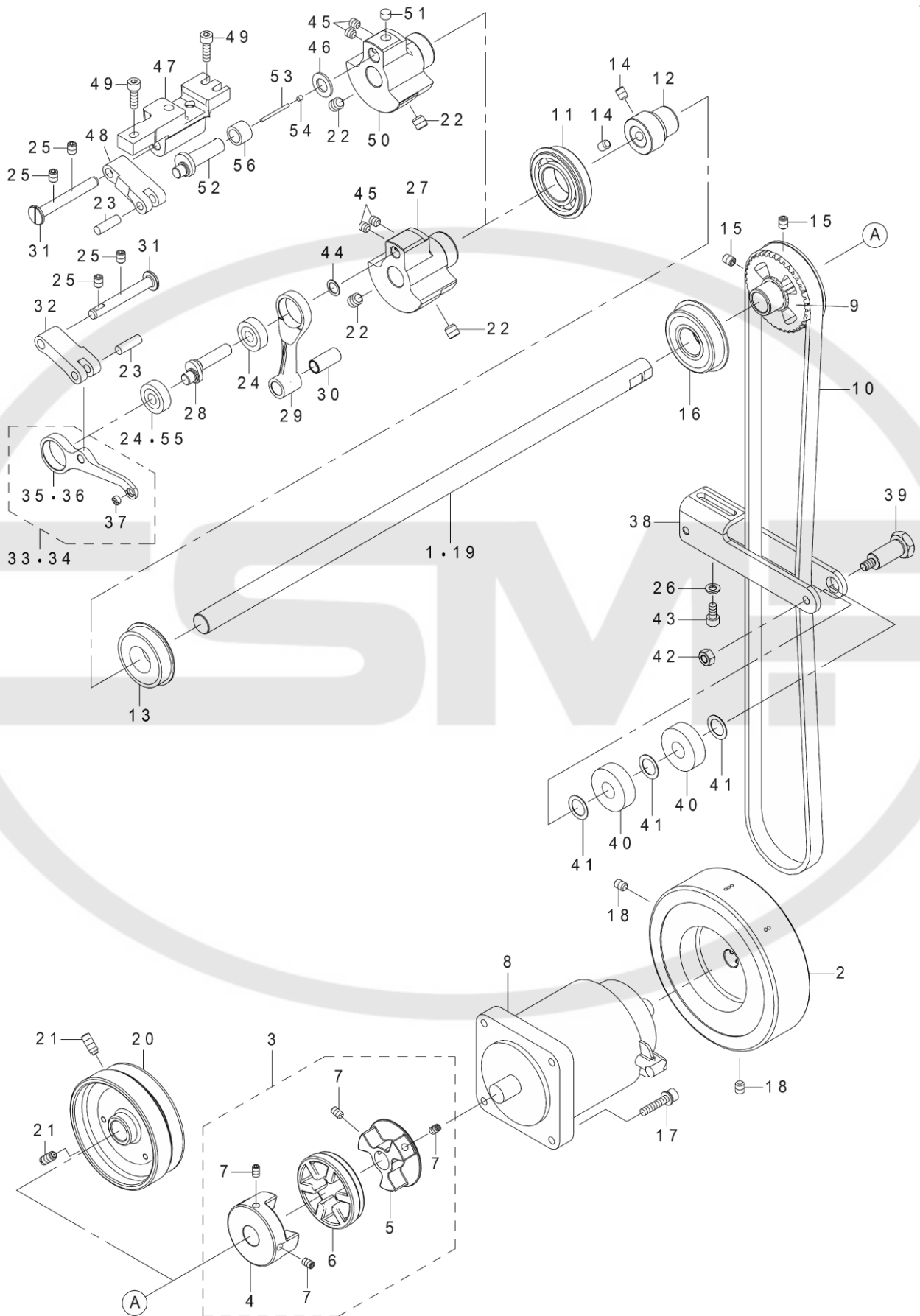


No	note	Parts No.	DESCRIPTION	Qty
1	#01	40129977	POST COVER	1
2	#01	SM4051055SP	SCREW	3
3	#01	SM4051055SP	SCREW	2
4	#01	SM4055501SC	SCREW M5X0.8 L=55	1
5		40102281	SAFETY LABEL S	1
6		CM300200001	ATTENTION SEAL	4
7	#01	CM300200001	ATTENTION SEAL	1
8		22901805	GROUND MARK	1
9		TA1650406R0	PRUG	4
10		40084142	THREAD GUIDE LOWER	1
11		SM1040750TP	SCREW M4 L=7	1
12	#07	40034675	THREAD GUIDE ASM E	1
13		40034674	THREAD GUIDE	(1)
14		40042716	THREAD PRESSER PLATE	(1)
15		B1132521000	THREAD PRESSER PLATE SPRING	(1)
16		SD0380556TL	SHOULDER SCREW D=3.8 H=5.5	(1)
17	#01	SM1040750TP	SCREW M4 L=7	1
18		22902506	FACE PLATE	1
19		TA1030402R0	RUBBER PLUG D=10.3 L=4	1
20		TA1270502R0	RUBBER PLUG	2
21		TA1250406R0	RUBBER PLUG D=12.5 L=4	1
22		SM4051055SP	SCREW	2
23		SM4051055SP	SCREW	6
24	#06	40084142	THREAD GUIDE LOWER	1
25		40129995	APERTURE COVER	1
26		SM4050855SP	SCREW	5
27		40129975	APERTURE PLATE	1
28		SM4050855SP	SCREW	8
29	#01	40134805	CABLE HOLDER	1
30	#05	40134834	THREAD TAKE UP LEVER COVER	1
31		23600505	THREAD TAKE-UP LEVER COVER	1
32		SM4051055SP	SCREW	1
33		40126221	THREAD GUIDE	1
34		SM6040870SP	SCREW	1
35		TA1550902R0	PLUG	1
36		40129982	BED COVER A	1
37	#02	40129983	BED COVER B	1
38		SM2051000SC	SCREW	4
39	#01	D2112555B00	CORD HOLDER LARGE	3
40	#01	SM4050855SP	SCREW	2
41	#03	40112277	PLATE	1
42	#03	SM6061002TP	SCREW M6 L=10	2
43		40130704	FACE PLATE	1
44	#01	40130705	MOTOR COVER	1
45		40130706	TOP COVER	1
46	#03	SM1040750TP	SCREW M4 L=7	1
47	#04	40129982	BED COVER A	1

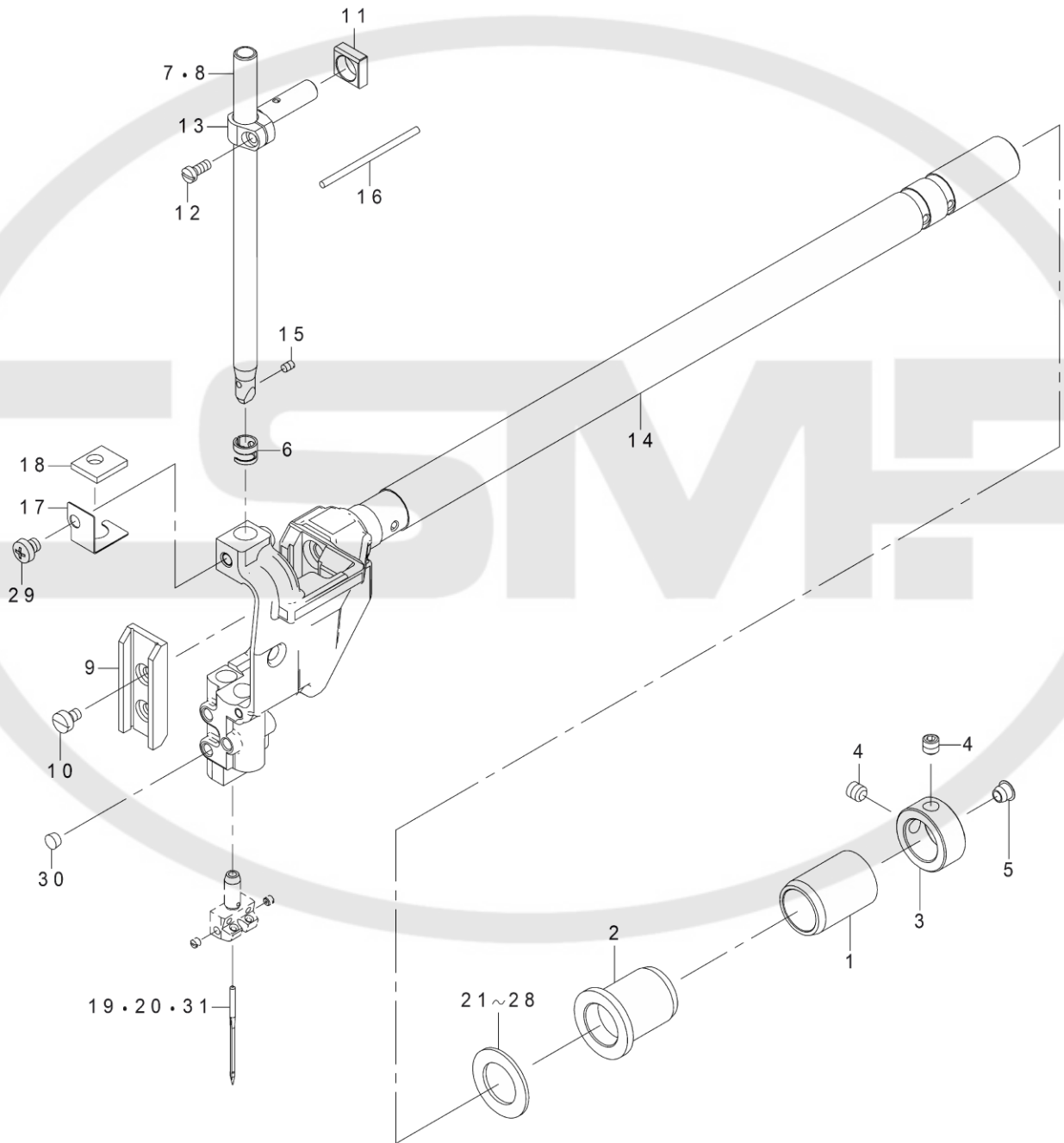
1...#01FOR PLC-2710-7/2760-7 / 2...#02FOR PLC-2710/2710-7 / 3...#03FOR PLC-2710/2760/2765/2760L / 4...#04FOR PLC-2760/2760-7/2760L/2765 / 5...#05FOR PLC-2760L / 6...#06FOR PLC-2710/2760/2760L / 7...#07FOR PLC-2710-7/2760-7/2765 / 8... /



No	note	Parts No.	DESCRIPTION	Qty
1	#01	40112087	MAIN SHAFT DD	1
2	#01	40130702	HAND WHEEL	1
3	#01	40112312	COUPLING ASSY	1
4	#01	40130277	HUB L	(1)
5	#01	40112106	HUB R	(1)
6	#01	40125950	SPIDER	(1)
7	#01	SM8050812TP	SCREW M5X8	(4)
8	#01	40126244	AC SERVO MOTOR	1
9		40126321	SPROCKET UPPER	1
10		40130020	TIMING BELT	1
11		B1203512000	BUSHING	1
12		23605207	MAIN SHAFT BEARING SUPPORT	1
13		SB120001800	BEARING	1
14		SM80608A2TP	SCREW M6 L=8	2
15		SM8060812TP	SCREW M6 L=8	2
16		SB120002700	BEARING	1
17	#01	SL6052592TN	BOLT	4
18	#01	SM8060812TP	SCREW M6 L=8	2
19	#02	40112088	MAIN SHAFT	1
20	#02	40112299	HAND WHEEL A	1
21	#02	SS8151550SP	SCREW 15/64-28 L=15	2
22		SM8080812TP	SCREW M8X8	2
23		10721504	FEED ADJUSTING PIN	1
24	#05	SB108001900	BEARING	2
25		SM8060812TP	SCREW M6 L=8	2
26		WP0531000SD	WASHER M5	2
27		40112091	COUNTER WEIGHT	1
28		40112092	NEEDLE BAR CRANK	1
29	#05	40112093	NEEDLE BAR CRANK ROD	1
30		40112094	CRANK ROD BUSH	1
31		40011902	THREAD TAKE UP CRANK SHAFT	1
32		40125930	TAKE UP LEVER CRANK	1
33	#06	40127049	THREAD TAKE UP ASM.	1
34	#03	40134545	THREAD TAKE UP ASM.	1
35		40125939	THREAD TAKE UP	(1)
36	#03	40134532	THREAD TAKE UP	(1)
37		10546901	BUSH	(1)
38		40130021	IDOLER PLATE	1
39		40130022	IDOLER SHAFT	1
40		B1803019000	BALL BEARING INTERMEDIATE	2
41		E3026721000	SLIDER	3
42		NM6060001CP	NUT M6	1
43		SM6051002TP	SCREW M5X0.8 L=10	2
44		WP0820516SP	WASHER 11.6X8.2X0.6	1
45		SM8060612TP	SCREW M6 L=6	2
46	#04	40026818	WASHER	1
47	#04	40131642	TAKE UP LEVER CRANK SHAFT BASE	1
48	#04	40131643	TAKE UP LEVER CRANK	1
49	#04	SM6051602TP	SCREW M5X0.8 L=16	3
50	#04	40131645	COUNTER WEIGHT	1
51	#04	40138482	FELT	1
52	#04	40131646	NEEDLE BAR CRANK	1
53	#04	CQ202000000	OIL WICK	0.027
54	#04	TA0290301M0	PLUG	1
55	#04	SB108001900	BALL BEARING	1
56	#04	SB310000300	BALL BEARING	1

1...#01FOR PLC-2710-7/2760-7 / 2...#02FOR PLC-2710/2760/2765/2760L / 3...#03FOR PLC-2760L / 4...#04FOR PLC-2765 / 5...#05FOR PLC-2710/2710-7/2760/2760-7/2760L / 6...#06FOR PLC-2710/2710-7/2760/2760-7/2765 / 7... /

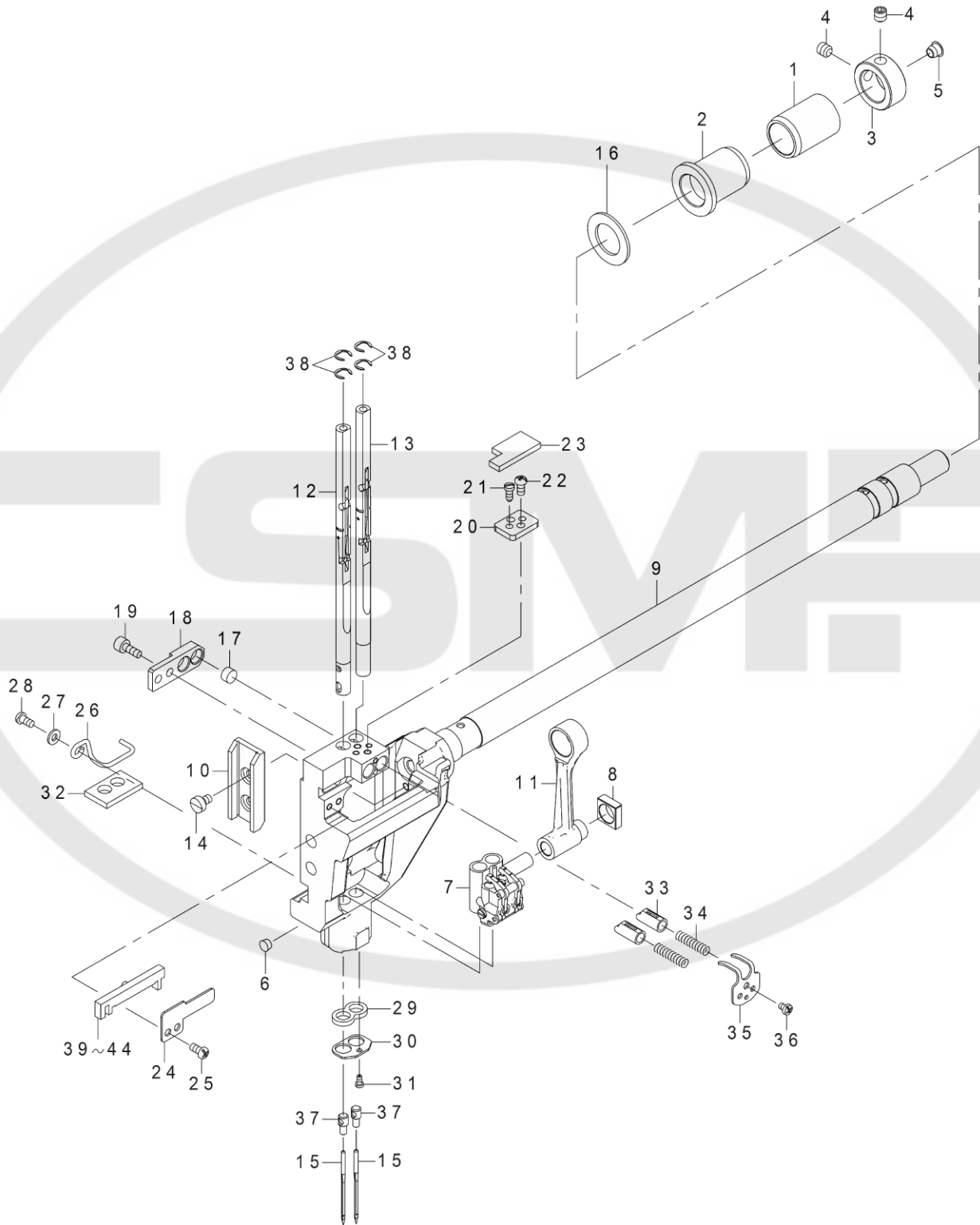
3. NEEDLE BAR COMPONENTS



No	note	Parts No.	DESCRIPTION	Qty
1		40010709	NF SHAFT BUSH R	1
2		40023568	BUSHING	1
3		CS1701181TP	THRUST COLLAR D=17 W=11	1
4		SM8060612TP	SCREW M6 L=6	2
5		TA0620504R0	CAP	1
6	#01	B1418141H00	NEEDLE BAR THREAD GUIDE	1
7	#01	B1401246000	NEEDLE BAR	1
8	#05	21451406	NEEDLE BAR	1
9		40127041	NEEDLE BAR GUIDE	1
10		SM6040650TP	SCREW	2
11		40112152	NEEDLE ROD SQUARE BLOCK	1
12		SS7090910TP	SCREW 9/64-40 L= 8.5	1
13		40112273	NEEDLE BAR CONNECTION	1
14		40136296	N B ROCKING BASE ASM.	1
15	#01	SS8080410TP	SCREW 1/8-44 L=3.5	1
16		CQ252000000	OIL WICK	0.05
17		40112270	FELT HOLDER	1
18		40112272	NEEDLE BAR FELT E	1
19	#01	M13517B1400	NEEDLE 135X17 #140	1
20	#02	M13517B1400	NEEDLE 135X17 #140	2
21	#03	B1438512B00	WASHER 17.1X28X1.5	1
22	#03	22606206	SPACER Y	1
23	#03	22606305	SPACER Z	1
24	#03	22607600	SPACER A	1
25	#03	22607709	SPACER B	1
26	#03	22607808	SPACER D	1
27	#03	22607907	SPACER E	1
28	#03	22606404	SPACER F	1
29		SM4050501SC	SCREW M5X0.8 L=5	1
30		TA0500301R0	PLUG 5X5.8 L=3	4
31	#04	M13517B2000	NEEDLE 135X17 #200	2

1...#01FOR PLC-2710/2710-7 / 2...#02FOR PLC-2760/2760-7 / 3...#03SELECTIVE PARTS / 4...#04FOR PLC-2760L / 5...#05FOR PLC-2760/2760-7/2760L / 6... /

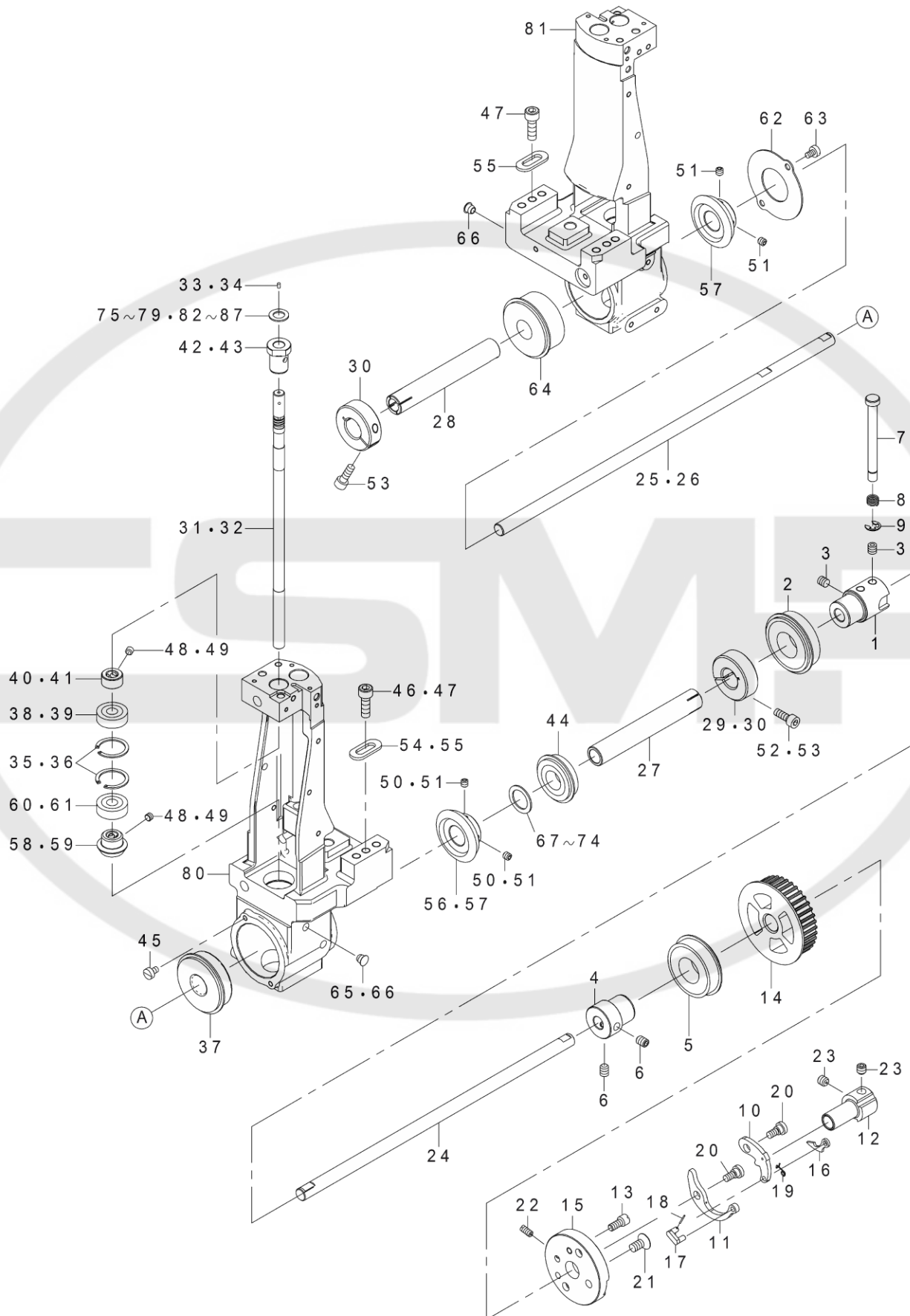
4. NEEDLE BAR COMPONENTS (FOR PLC-2765)



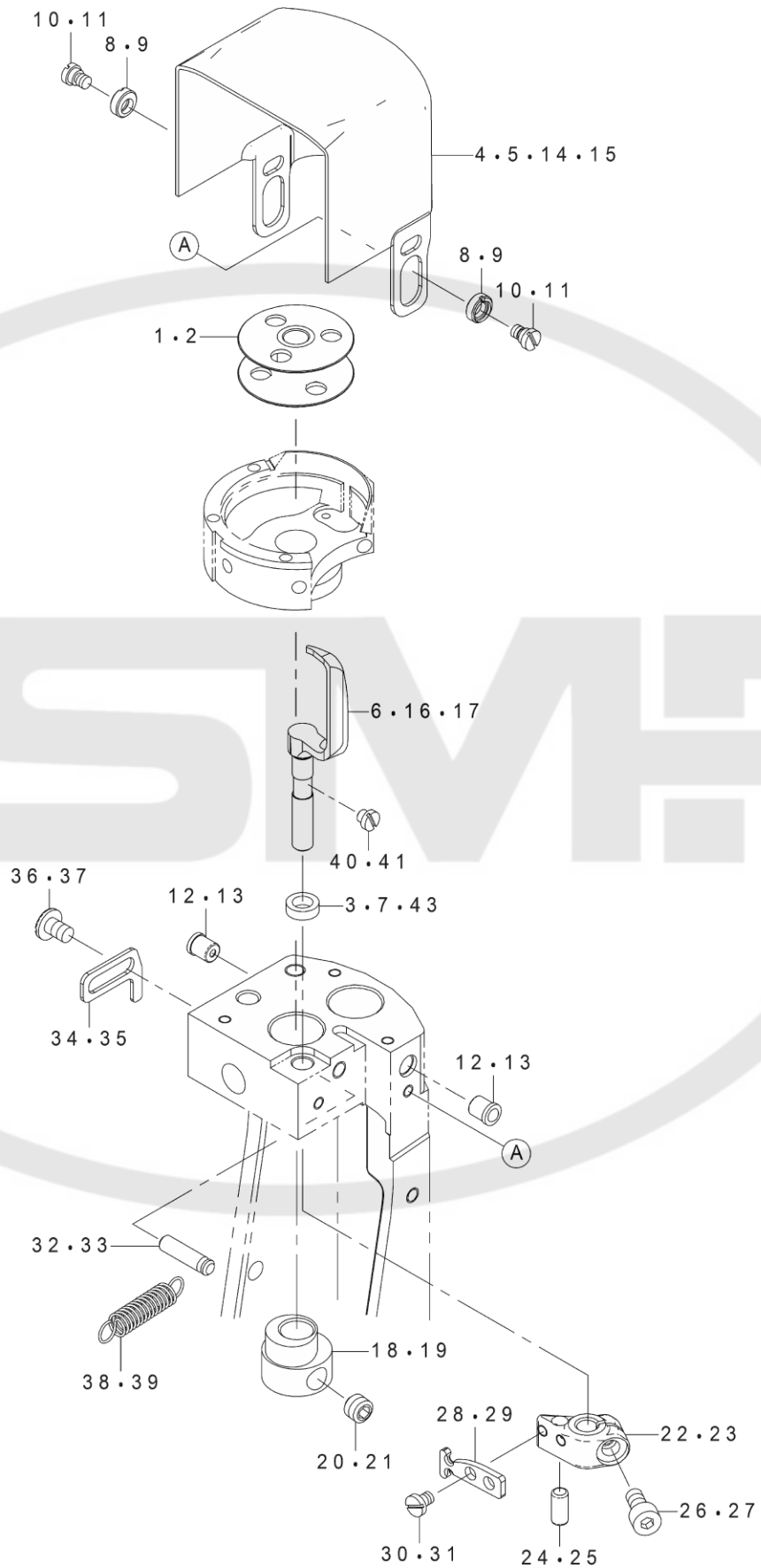
No	note	Parts No.	DESCRIPTION	Qty
1		40010709	NF SHAFT BUSH R	1
2		40023568	BUSHING	1
3		CS1701181TP	THRUST COLLAR D=17 W=11	1
4		SM8060612TP	SCREW M6 L=6	2
5		TA0620504R0	CAP	1
6		TA0500301R0	PLUG 5X5.8 L=3	1
7		40032147	NEEDLE BAR CONNECTION ASM.	1
8		40112152	NEEDLE ROD SQUARE BLOCK	1
9		40138640	NEEDLE BAR ROCKING BASE ASM.	1
10		40127041	NEEDLE BAR GUIDE	1
11		40131644	NEEDLE BAR CRANK ROD	1
12		40131649	NEEDLE BAR ASM. LEFT	1
13		40131651	NEEDLE BAR ASM. RIGHT	1
14		SM6040650TP	SCREW	2
15		M13517B1400	NEEDLE 135X17 #140	2
16		22607709	SPACER B	1
17		11002904	ROLLER FELT	2
18		40131653	FELT COVER	1
19		SM6040602TP	SCREW M4X0.7 L=6	2
20		22682702	NEEDLE BAR SWIVEL STOPPER	1
21		22681712	STOPPER SCREW	2
22		SS4090715SP	SCREW 9/64-40 L=7	2
23		40039629	FELT	1
24		22681803	SLIDE BLOCK GUIDE PLATE	1
25		SS4090715SP	SCREW 9/64-40 L=7	2
26		40131654	FELT GUIDE	1
27		WP0371016SD	WASHER 3.7X8X1	1
28		SS4090715SP	SCREW 9/64-40 L=7	1
29		22686000	NEEDLE BAR OIL SEAL FELT	1
30		40131656	NEEDLE BAR OIL SEAL PLATE	1
31		SS6060510TP	SCREW 3/32-56 L=4.5	1
32		40131655	OIL GUARD FELT	1
33		22681407	NEEDLE BAR STOPPER	2
34		22681506	SPRING	2
35		40095222	STOPPER SPRING COVER	1
36		SM4030455SP	SCREW	1
37		22682504	SPRING BEARING	2
38		40028668	RING A	4
39	#01	22681951	SLIDER BLOCK ASM. A	1
40	#01	22682058	SLIDER BLOCK ASM. B	1
41	#01	22682157	SLIDER BLOCK ASM. C	1
42	#01	22682256	SLIDER BLOCK ASM. D	1
43	#01	22682355	SLIDER BLOCK ASM. E	1
44	#01	40117425	SLIDER BLOCK ASM. F	1

1...#01SELECTIVE PARTS / 2... /

5. LOWER SHAFT COMPONENTS



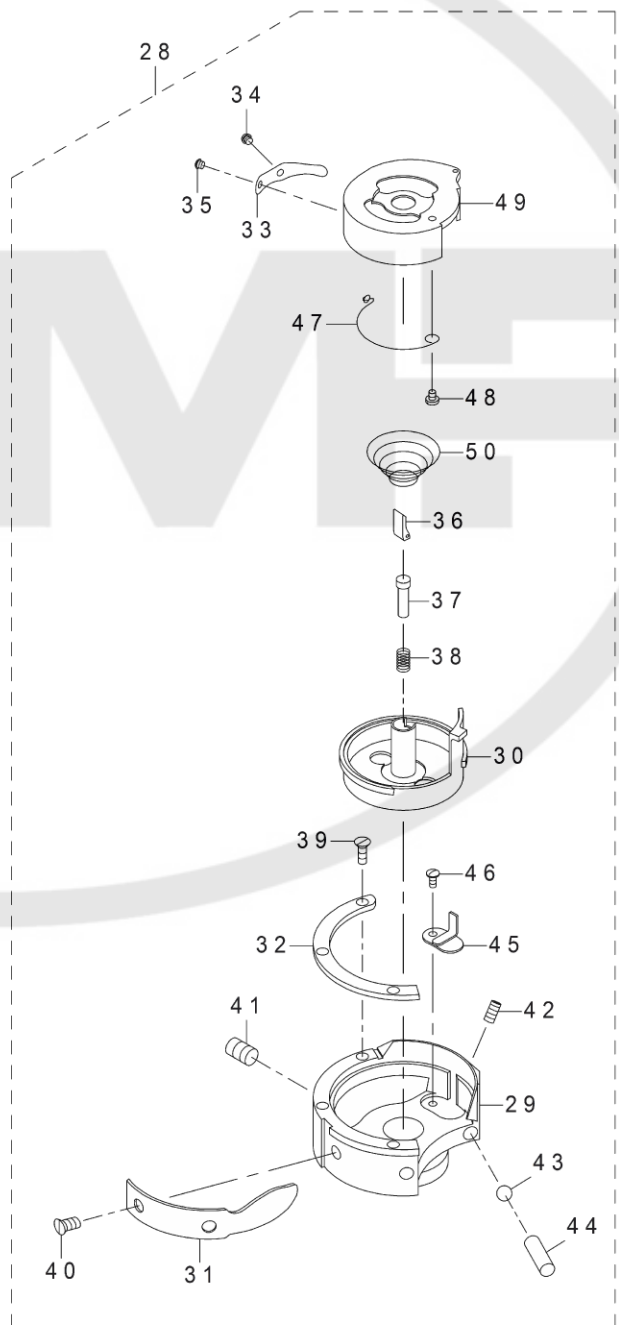
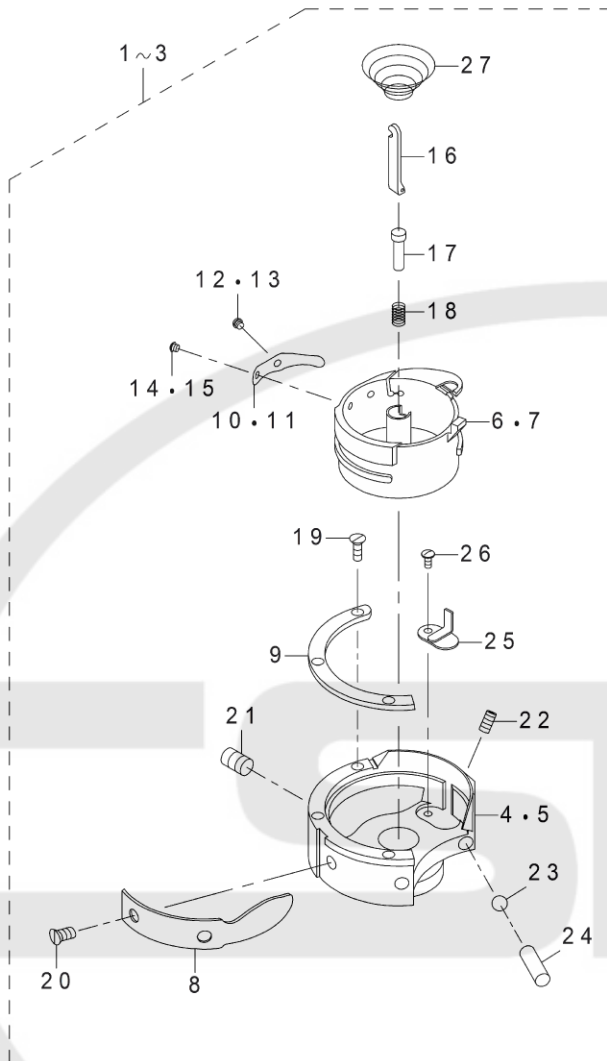
No	note	Parts No.	DESCRIPTION	Qty
1		40130041	CONNECTION BUSH	1
2		SB120001800	BEARING	1
3		SM8060812TP	SCREW M6 L=8	4
4		40123247	BEARING COLLAR	1
5		SB120001800	BEARING	1
6		SM8060812TP	SCREW M6 L=8	2
7		40112240	SAFETY REVERSE BUTTON	1
8		B1639051000	SPRING	1
9		RE0500000K0	E-RING	1
10		21387600	SAFETY CLUTCH HOOK	1
11		21387709	SAFETY CLUTCH SPRING	1
12		21387808	SAFETY BASE	1
13		21387907	ADJUSTING PIN (1.2)	1
14		40125882	LOWER SHAFT SPROCKET	1
15		40126386	CLUTCH BASE	1
16		B1308055000	SAFETY CLUTCH COUNTER-HOOK	1
17		B1310055000	SAFETY CLUTCH SMALL LINK	1
18		B1314055000	SAFETY CLUTCH SMALL LINK PIN	1
19		40113224	COUNTER HOOK SPRING	1
20		SD0640322TP	HINGE SCREW D= 6.35 H= 3.2	2
21		SM1061201SN	SCREW M6 L=12	2
22		SS8111010TP	SCREW 11/64-40 L=9.5	1
23		SS8660612TP	SCREW 1/4-40 L=6	2
24		40130042	LOWER SHAFT A	1
25	#01	40130043	LOWER SHAFT B	1
26	#02	40130044	LOWER SHAFT C	1
27		40112253	LOWER SHAFT C	1
28	#02	40126454	LOWER SHAFT D	1
29	#01	40052253	SET COLLAR	1
30	#02	40052253	SET COLLAR	2
31	#01	40130035	HOOK SHAFT	1
32	#02	40130035	HOOK SHAFT	2
33	#01	TA0180401M0	NEEDLE COOLER PLUG CAP	1
34	#02	TA0180401M0	NEEDLE COOLER PLUG CAP	2
35	#01	RC2351018KP	RETAINIG PIN 23.5	2
36	#02	RC2351018KP	RETAINIG PIN 23.5	4
37		G1216870000	UPPER SHAFT REAR BEARING	1
38	#01	SB108000400	BUSHING	1
39	#02	SB108000400	BUSHING	2
40	#01	CS0800881TP	THRUST COLLAR	1
41	#02	CS0800881TP	THRUST COLLAR	2
42	#01	40130036	BUSHING	1
43	#02	40130036	BUSHING	2
44		SB115001000	ROLLING BEARING	1
45		SM6040650TP	SCREW	2
46	#01	SM6061802TP	SCREW M6 L=18	2
47	#02	SM6061802TP	SCREW M6 L=18	4
48	#01	SM8050412TP	SCREW M5 L=4	4
49	#02	SM8050412TP	SCREW M5 L=4	8
50	#01	SM8050512TP	SCREW	2
51	#02	SM8050512TP	SCREW	4
52	#01	SM6051402TP	SCREW M5X0.8 L=14	1
53	#02	SM6051402TP	SCREW M5X0.8 L=14	2
54	#01	40139042	WASHER	2
55	#02	40139042	WASHER	4
56	#01	40126372	LOWER SHAFT GEAR	1
57	#02	40126372	LOWER SHAFT GEAR	2
58	#01	40112242	HOOK SHAFT GEAR	1
59	#02	40112242	HOOK SHAFT GEAR	2
60	#01	SB108000400	BUSHING	1
61	#02	SB108000400	BUSHING	2
62	#02	40126455	HOOK SHAFT BASE COVER	1
63	#02	SM6040650TP	SCREW	2
64	#02	SB115002200	BEARING	1
65	#01	TA0620504R0	CAP	2
66	#02	TA0620504R0	CAP	4
67	#03	B122177100A	HIGH SPEED WASHER FOR BEARING	1
68	#03	B122177100B	MAIN SHAFT THRUST WASHER B T=1.0	1
69	#03	B125578100C	WASHER C	1
70	#03	B122177100D	MAIN SHAFT THRUST WASHER (D)	1
71	#03	B122177100E	MAIN SHAFT THRUST WASHER (E)	1
72	#03	B122177100F	MAIN SHAFT THRUST WASHER (F)	1
73	#03	B122177100G	WASHER T=1.1	1
74	#03	B122177100H	WASHER T=1.3	1
75	#03	B255728000A	WASHER FOR DRIVING ARM	1
76	#03	B255728000B	WASHER	1
77	#03	B255728000C	WASHER	1
78	#03	B255728000D	WASHER D	1
79	#03	B255728000E	WASHER	1
80		40133882	HOOK SHAFT BASE R ASM\	1
81	#02	40133883	HOOK SHAFT BASE L ASM\	1
82	#03	40138418	WASHER T=1.3	1
83	#03	40138419	WASHER T=1.4	1
84	#03	40138420	WASHER T=1.5	1
85	#03	40138421	WASHER T=1.6	1
86	#03	40138422	WASHER T=1.7	1
87	#03	40138423	WASHER T=1.8	1



No	note	Parts No.	DESCRIPTION	Qty
1	#01	21334800	ALUMINUM BOBBIN WITH KNURL	1
2	#02	21334800	ALUMINUM BOBBIN WITH KNURL	2
3	#09	40134531	SPACER	2
4	#05	40137886	HOOK COVER ASM.	1
5	#07	40137886	HOOK COVER ASM.	2
6	#08	40137923	OPENER 2765	1
7	#05	40134531	SPACER	1
8	#01	23007503	ECCENTRIC ROLLER	2
9	#02	23007503	ECCENTRIC ROLLER	4
10	#01	23007602	HINGE SCREW	2
11	#02	23007602	HINGE SCREW	4
12	#01	40130048	BALL PLUNGER	2
13	#02	40130048	BALL PLUNGER	4
14	#03	40130040	HOOK COVER	1
15	#04	40130040	HOOK COVER	2
16	#01	40130027	OPENER	1
17	#06	40130027	OPENER	2
18	#01	40130031	OPENER CAM	1
19	#02	40130031	OPENER CAM	2
20	#01	SM8060552TP	SCREW M6 L=5	1
21	#02	SM8060552TP	SCREW M6 L=5	2
22	#01	40130028	OPENER ARM	1
23	#02	40130028	OPENER ARM	2
24	#01	B3019816000	PIN	1
25	#02	B3019816000	PIN	2
26	#01	SM6040802TP	SCREW M4X0.7 L=8	1
27	#02	SM6040802TP	SCREW M4X0.7 L=8	2
28	#01	40130030	SPRING RACK	1
29	#02	40130030	SPRING RACK	2
30	#01	SM6030450TP	SCREW M3 L=4	2
31	#02	SM6030450TP	SCREW M3 L=4	4
32	#01	18219105	DW PIN 4X16	1
33	#02	18219105	DW PIN 4X16	2
34	#01	40131586	H C STOPPER	1
35	#02	40131586	H C STOPPER	2
36	#01	SM6040650TP	SCREW	2
37	#02	SM6040650TP	SCREW	4
38	#01	40133718	SPRING	1
39	#02	40133718	SPRING	2
40	#01	SS6080320SP	SCREW 1/8-44 L= 2.5	1
41	#02	SS6080320SP	SCREW 1/8-44 L= 2.5	2
42	#08	40137930	SPACER	2

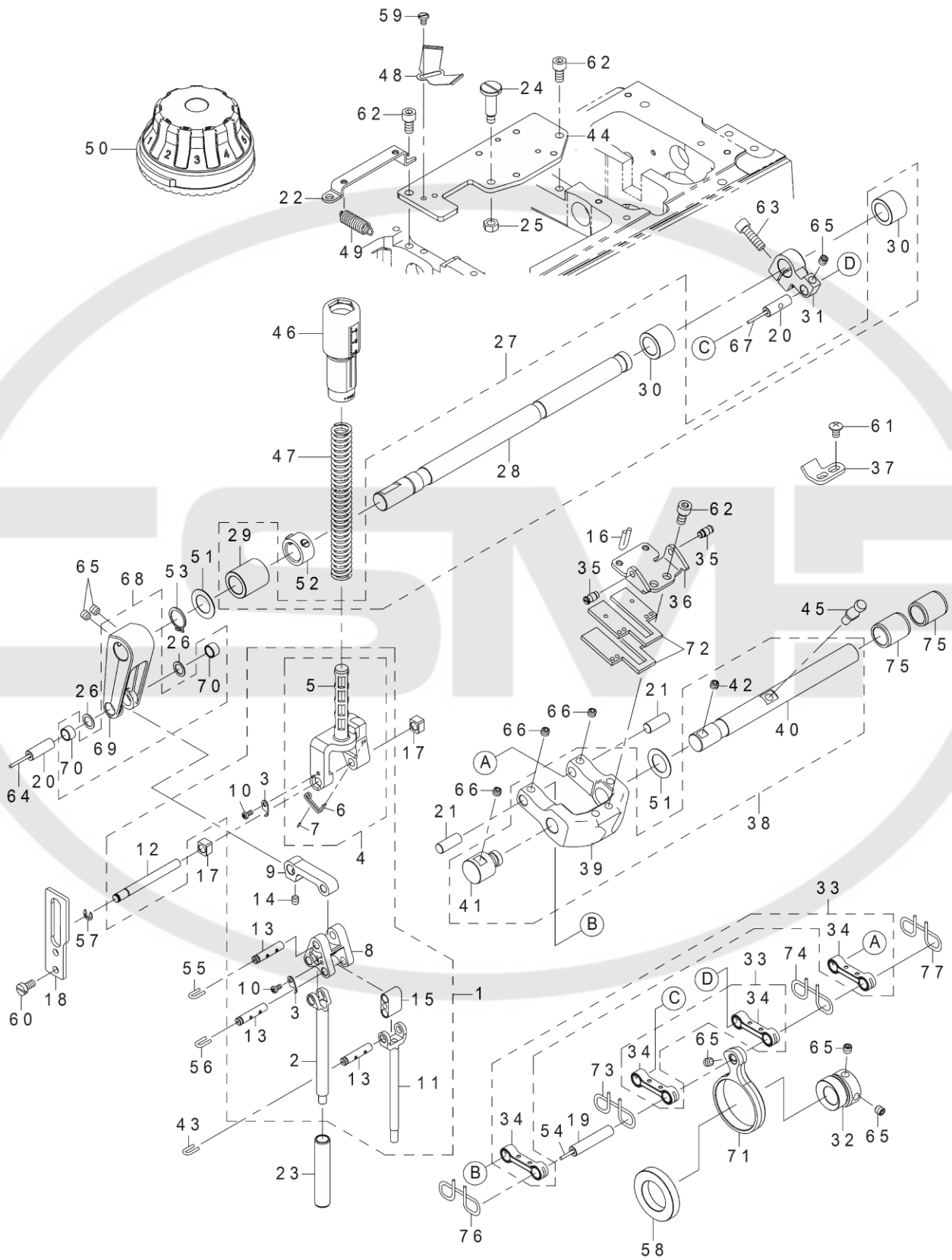
1...#01FOR PLC-2710/2710-7 / 2...#02FOR PLC-2760/2760-7/2765/2760L / 3...#03FOR PLC-2710-7 / 4...#04FOR PLC-2760-7 / 5...#05FOR PLC-2710 / 6...#06FOR PLC-2760/2760-7/2760L / 7...#07FOR PLC-2760/2760L/2765 / 8...#08FOR PLC-2765 / 9...#09FOR PLC-2760/2760L / 10... /

7. HOOK COMPONENTS

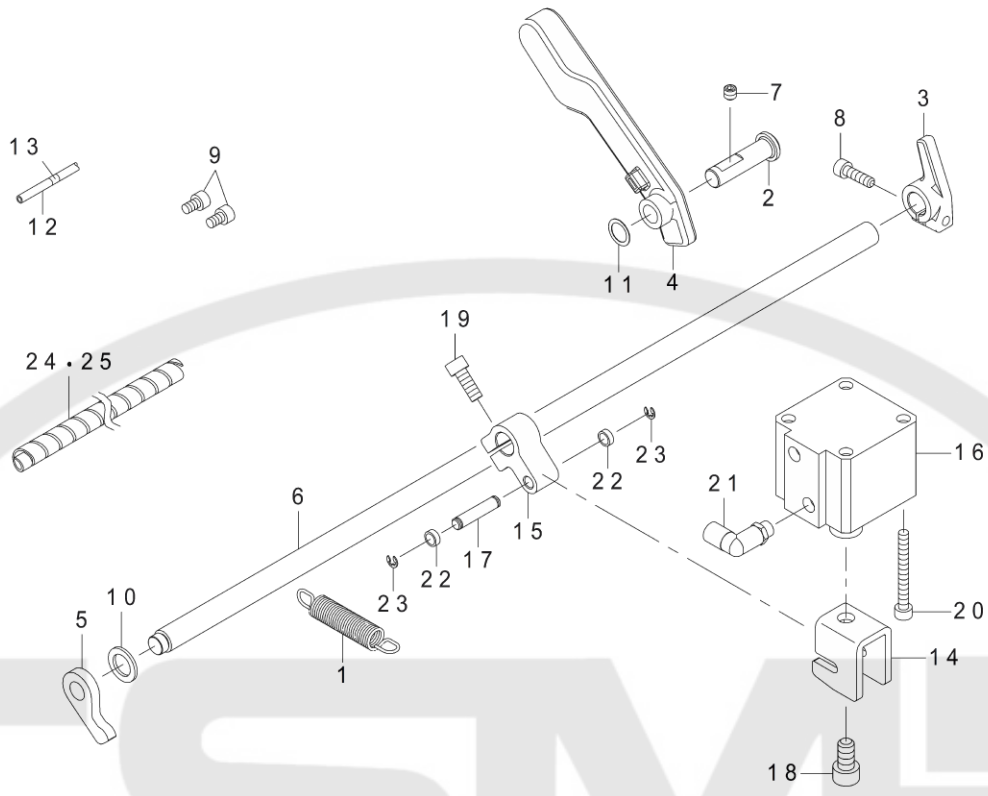


No	note	Parts No.	DESCRIPTION	Qty
1	#01	40130034	TRM HOOK ASM.	1
2	#02	40126399	HOOK ASM.	1
3	#03	40138461	HOOK ASM.	1
4	#01	40148039	OUTER HOOK	(1)
5	#04	40148031	OUTER HOOK	(1)
6	#01	40148041	INNER HOOK	(1)
7	#04	40148032	INNER HOOK	(1)
8		40079896	NEEDLE HOLDER	(1)
9		40148033	INNER HOOK HOLDER	(1)
10	#01	40079898	TENTION SPRING	(1)
11	#04	40148034	TENTION SPRING	(1)
12	#01	40079899	ADJUSTING SCREW	(1)
13	#04	40148035	ADJUSTING SCREW	(1)
14	#01	40079900	TENTION SPRING SETSCREW	(1)
15	#04	40148036	TENTION SPRING SETSCREW	(1)
16		40079901	BOBBIN PRESSER	(1)
17		40079902	PRESSER LIFTER	(1)
18		40079903	PRESSER LIFTER SPRING	(1)
19		40079904	INNER HOOK HOLDER SETSCREW	(3)
20		40079905	NEEDLE HOLDER SETSCREW	(2)
21		40075542	OUTER HOOK SETSCREW	(2)
22		40079909	NEEDLE HOLDER ADJUSTING SCREW	(1)
23		40148037	BALL	(1)
24		40148038	SLIDE PIN	(1)
25		40075548	OIL COVER	(1)
26		40075547	OIL COVER SETSCREW	(1)
27		40079912	IDLING PRIVENTION SPRING	(1)
28	#05	40134795	HOOK ASM. 65	1
29		40148031	OUTER HOOK	(1)
30		40148042	INNER HOOK	(1)
31		40079896	NEEDLE HOLDER	(1)
32		40148033	INNER HOOK HOLDER	(1)
33		40148043	TENTION SPRING	(1)
34		40148035	ADJUSTING SCREW	(1)
35		40148036	TENTION SPRING SETSCREW	(1)
36		40148044	BOBBIN PRESSER	(1)
37		40079902	PRESSER LIFTER	(1)
38		40079903	PRESSER LIFTER SPRING	(1)
39		40079904	INNER HOOK HOLDER SETSCREW	(3)
40		40079905	NEEDLE HOLDER SETSCREW	(2)
41		40075542	OUTER HOOK SETSCREW	(2)
42		40079909	NEEDLE HOLDER ADJUSTING SCREW	(1)
43		40148037	BALL	(1)
44		40148038	SLIDE PIN	(1)
45		40075548	OIL COVER	(1)
46		40075547	OIL COVER SETSCREW	(1)
47		40148045	ABSORPTION SPRING	(1)
48		40148046	ABSORPTION SPRING SCREW	(1)
49		40148047	CAP	(1)
50		40079912	IDLING PRIVENTION SPRING	(1)

1...#01FOR PLC-2710-7/2760-7 / 2...#02FOR PLC-2710/2760 / 3...#03FOR PLC-2760L / 4...#04FOR PLC-2710/2760/2760L / 5...#05FOR PLC-2765 / 6... /



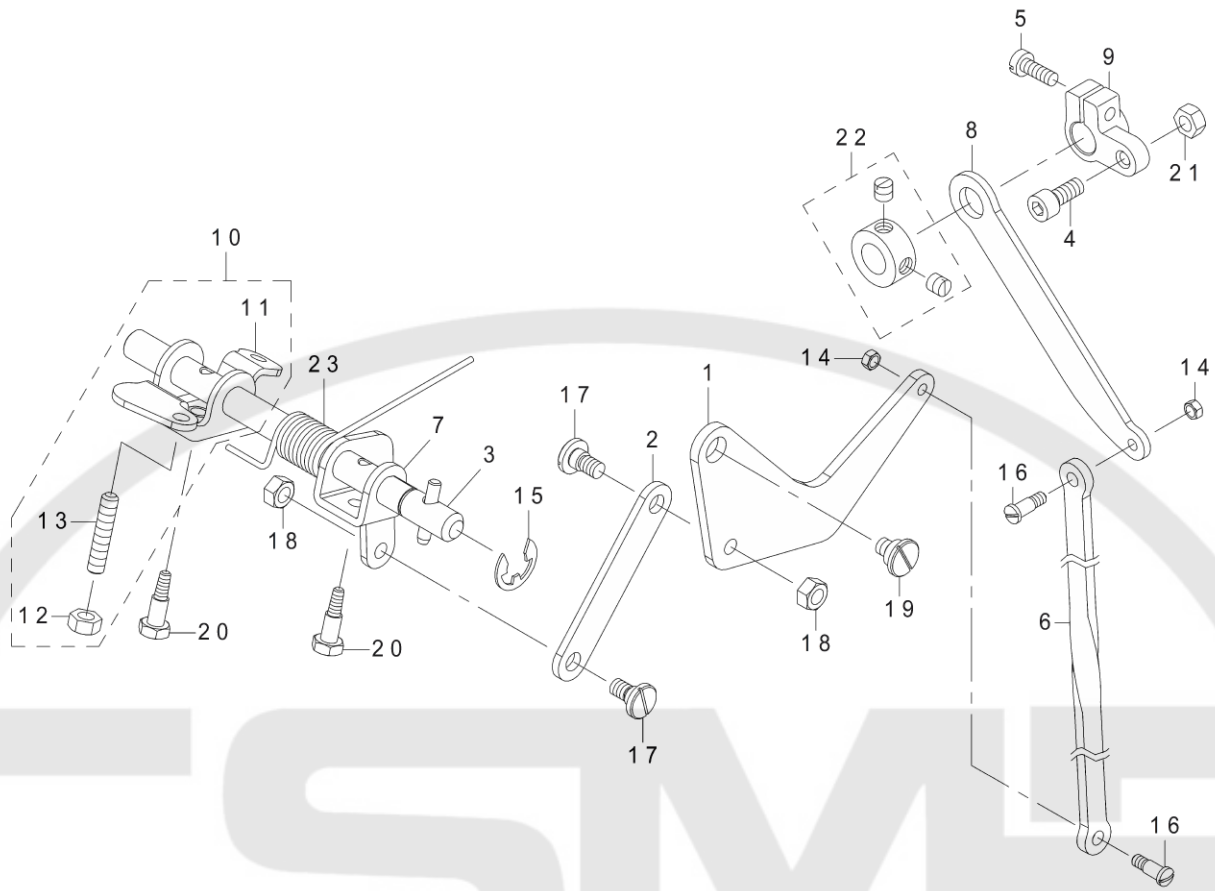
No	note	Parts No.	DESCRIPTION	Qty
1		40126167	UPPER FEED F ASM. E	1
2		40125861	PRESSURE BAR E	(1)
3		10710804	TRIANGLE LEVER SHAFT STOPPER	(2)
4		40133609	SPRING RECEIVING E ASM	(1)
5		40123664	SPRING RECEIVING E	(1)
6		40133608	LIFTER GUARD	(1)
7		PS0100052KP	SPRING PIN	(1)
8		40125852	TRIANGULAR LEVER	(1)
9		40125854	UPPER FEED LINK A	(1)
10		SM4030601SN	SCREW M3 X 6	(2)
11		40125937	WALKING BAR E	(1)
12		40126166	PRESSER BAR GUIDE SHAFT	(1)
13		40112176	CONNECTION PIN	(3)
14		SM8050612TP	SCREW M5X6	(1)
15		40123665	WALKING BAR DRIVING LINK	(1)
16		CQ202000000	OIL WICK	0.1
17		40090058	SLIDE BLOCK	2
18		40125943	PRESSER ROD GUIDE	1
19		40112118	FEED ROD PIN	1
20		40123634	ROCKING LINK PIN	2
21		40126375	FEED ADJUSTING PIN A	2
22		40125867	SPRING HOOK	1
23		40135014	PRESSER BAR BUSHING	1
24		SD0802126TP	SHOULDER SCREW D=8 H=21.2	1
25		NM6060001SD	NUT M6	1
26		E2613700000	WASHER	2
27		40123319	UPPER FEED SHAFT ASM.	1
28		40123262	UPPER FEED SHAFT	(1)
29		40123320	UPPER FEED SHAFT METAL F	(1)
30		40123321	UPPER FEED SHAFT METAL R	(1)
31		40126160	UPPER FEED REAR ARM	1
32		40126390	UPPER FEED CAM	1
33		40126338	CONNECTION LINK ASM.	1
34		40126223	CONNECTION LINK	(1)
35		40038494	THREAD BIND ARM SPRING RAC	2
36		40126269	CHANGE BASE SPRING RACK	1
37		40126264	CHANGE BASE STOPPER	1
38		40123416	UPPER FEED CHANGE BASE ASM.	1
39		40123414	UPPER FEED CHANGE BASE	(1)
40		40123555	UF CHANGE BASE SHAFT	(1)
41		40123415	UF CHANGE BASE SUPPORT PIN	(1)
42		SM8060552TP	SCREW M6 L=5	(1)
43		CQ252000000	OIL WICK	0.048
44		40125868	INSTALLING PLATE	1
45		40126374	VERTICAL ADJUSTING PIN	1
46		40125926	PRESSER ADJUSTING SCREW	1
47		40112197	PRESSER SPRING	1
48		40112199	LEAF SPRING	1
49		40126400	SPRING	2
50		40125850	VERTICAL DIAL(VE)	1
51		D1231555B00	WASHER	2
52		22904155	MAIN SHAFT THRUST COLLAR ASM.	1
53		RC0150001KP	RETAINING RING 13.8	1
54		CQ202000000	OIL WICK	0.042
55		CQ252000000	OIL WICK	0.048
56		CQ252000000	OIL WICK	0.048
57		RE0400000K0	E-RING 4	1
58		SB125000600	BEARING	1
59		SM6040650TP	SCREW	2
60		SM6051000SP	SCREW	2
61		SM0050801SC	SCREW	2
62		SM6061202TP	SCREW M6 L=12	5
63		SM6062002TP	SCREW M6 L=20	1
64		CQ202000000	OIL WICK	0.02
65		SM8060612TP	SCREW M6 L=6	6
66		SM8060552TP	SCREW M6 L=5	3
67		CQ202000000	OIL WICK	0.02
68		40126159	UPPER FEED FRONT ARM ASM.	1
69		40126157	UPPER FEED FRONT ARM	(1)
70		40126158	UPPER FEED FRONT ARM BUSH	(2)
71		40125876	UPPER FEED CAM ROD	1
72		40123345	FELT	2
73		CQ202000000	OIL WICK	0.25
74		CQ202000000	OIL WICK	0.25
75		22913008	FEED ROCKER SHAFT BUSHING	2
76		CQ202000000	OIL WICK	0.25
77		CQ202000000	OIL WICK	0.25



No	note	Parts No.	DESCRIPTION	Qty
1		40126367	SPRING	1
2		40006716	THREAD TRIMMER SHAFT	1
3		40112184	LIFTER LEVER A	1
4		40126150	LIFTER LEVER B	1
5		40125870	LIFTER PLATE	1
6		40126364	LIFTER SHAFT	1
7		SM8060612TP	SCREW M6 L=6	1
8		SM6051802TP	SCREW M5 L=18	1
9		SM6050802TP	SCREW M5X0.8 L=8	2
10		13409107	WASHER	1
11		WZ1052010KP	WAVED WASHER	1
12	#01	BT0400251EB	URETHANE HOSE BLACK	0.62
13	#01	18035907	WIRE MARK (10)	2
14	#01	40112187	KNUCKLE JOINT A	1
15	#01	40112188	LIFTING ARM	1
16	#01	PA400150200	AIR CYLINDER	1
17	#01	22949101	ROLLER FULCRUM SHAFT	1
18	#01	SM6081552TP	SCREW M8 L=15	1
19	#01	SM6061602TP	SCREW M6 L=16	1
20	#01	SM6054502TN	SCREW M5 L=45	4
21	#01	PJ304045102	ELBOW UNION C	1
22	#01	13951009	PRESSER FOOT ROLLER	2
23	#01	RE0400000K0	E-RING 4	2
24	#02	HX003140000	SPIRAL TABE	0.1
25	#03	HX00314000A	SPIRAL TUBE	0.1

1...#01FOR PLC-2710-7/2760-7/2710(WITH AK)/2710(WITH AK/BT/DL)/2760(WITH AK)/2760(WITH AK/BT/DL)/2760L(WITH AK)/2760L(WITH AK/BT/DL)/2765(WITH AK)/2765(WITH AK/BT/DL) / 2...#02FOR PLC-2710(WITH AK)/2760(WITH AK)/ 2760L(WITH AK)/2765(WITH AK) / 3...#03FOR PLC-2710(WITH AK/BT/DL)/2760(WITH AK/BT/DL)/2760L(WITH AK/BT/DL)/2765(WITH AK/BT/DL) / 4... /

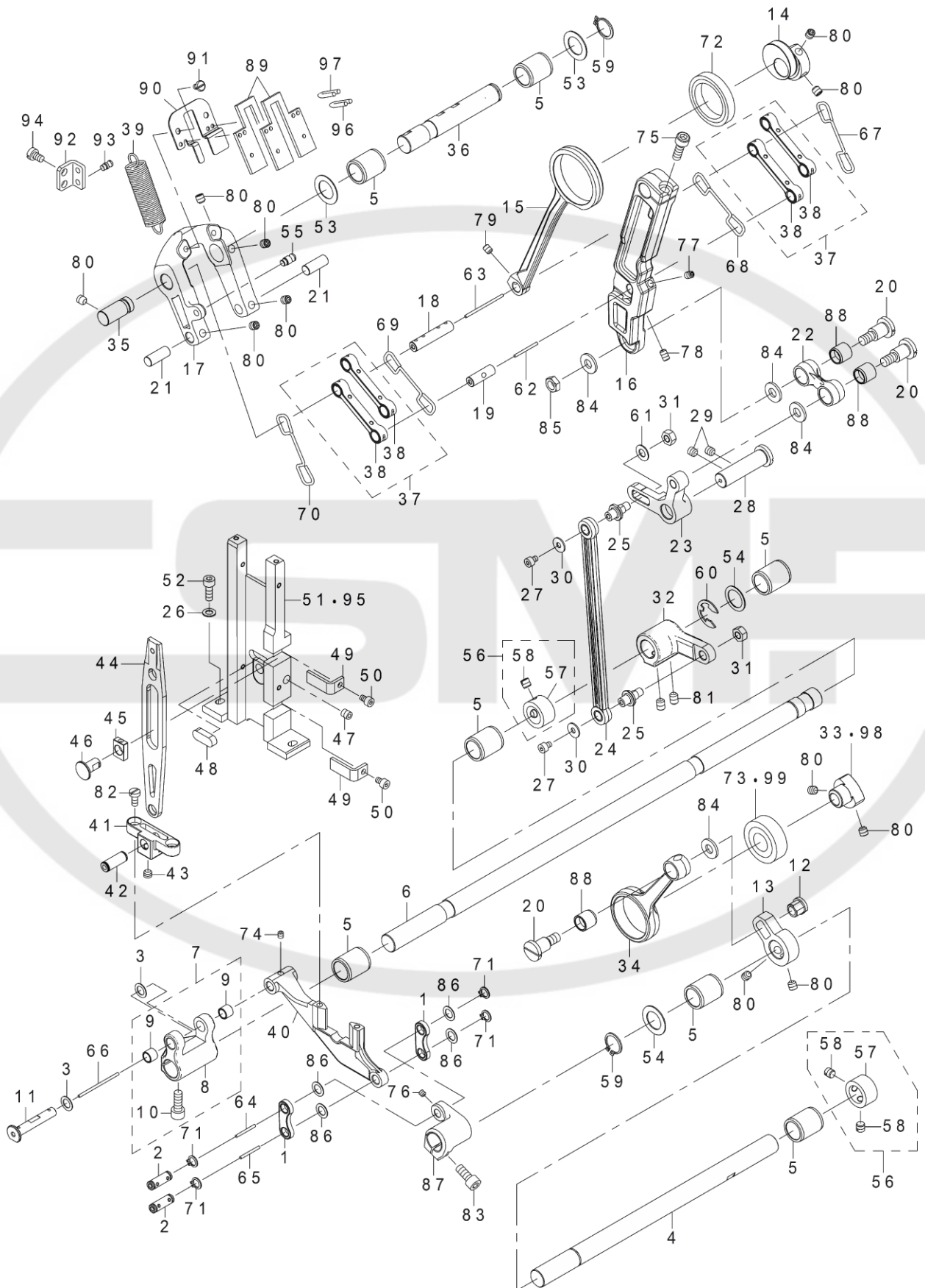




No	note	Parts No.	DESCRIPTION	Qty
1		40126270	KNEE PAD LINK A	1
2		40126271	KNEE PAD LINK B	1
3		40126356	KNEE LIFTER SHAFT ASM.	1
4		SM6051202TP	SCREW M5X0.8 L=12	1
5		SM6051400SP	SCREW	1
6		40130019	KNEE PAD LINK	1
7		40126273	KNEE PAD DRIVING ARM	1
8		40126274	KNEE PAD LINK C	1
9		40112127	BACKWARD FEED CONNECTING ARM	1
10		22932156	KNEE LIFTER ROTATION ARM ASM.	1
11		22932107	KNEE LIFTING ROTATING ARM	(1)
12		NM6060001SE	NUT M6	(2)
13		SM8063012TR	SCREW M6 L=30	(2)
14		NS6110310SP	NUT 11/64-40	2
15		RE1000000K0	E-RING 10	1
16		SD0500803TP	HINGE SCREW D=5 H=8	2
17		40082078	SHOULDER SCREW D=7.24 H=3.3	2
18		NM6060001SE	NUT M6	2
19		SD1000406TP	SHOULDER SCREW	1
20		SM9061853SR	SCREW M6 L=17.5	2
21		NM6050001SD	NUT M5X0.8	1
22		CS1201010SH	THRUST COLLAR ASM. D=12 W=10	1
23		23639503	SPRING	1

1... /



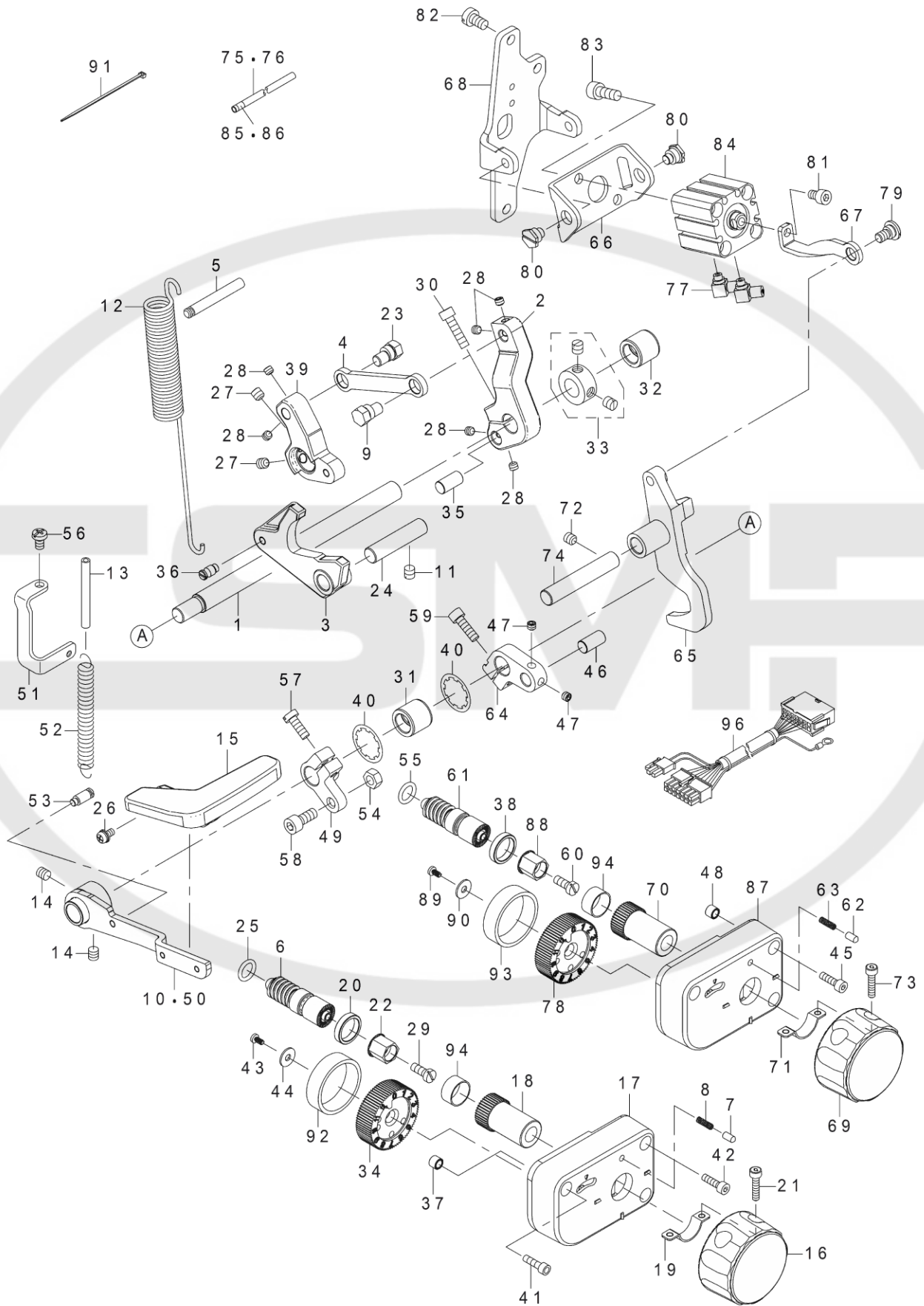


No	note	Parts No.	DESCRIPTION	Qty
1		40130013	VERTICAL LINK	2
2		10718906	VERTICAL FEED LINK SHAFT	2
3		WP0740516SP	WASHER 7.4X11.8X0.5	2
4		40123667	VERTICAL FEED LINK	1
5		22913008	FEED ROCKER SHAFT BUSHING	7
6		40126386	HORIZONTAL FEED SHAFT	1
7		40130011	FEED BASE ARM ASM.	1
8		40130010	FEED BASE ARM	(1)
9		40126163	FEED BASE ARM BUSH	(2)
10		SM6051402TP	SCREW M5X0.8 L=14	(1)
11		40112098	FEED BASE SHAFT	1
12		40126357	VERTICAL FEED ROD NUT	1
13		40125843	VERTICAL FEED ARM REAR	1
14		40123626	HORIZONTAL FEED CAM	1
15		40126151	HORIZONTAL FEED ROD	1
16		40123547	NEEDLE BAR ROCKING LINK	1
17		40137553	HORIZONTAL FEED CHANGE BASE	1
18		40112118	FEED ROD PIN	1
19		40123634	ROCKING LINK PIN	1
20		SD1021251SP	SHOULDER SCREW D=10.2 H=12.5	3
21		40126375	FEED ADJUSTING PIN A	2
22		40125856	CONNECTION LINK	1
23		40130007	LOWER FEED CONNECTING TRIANGLE	1
24		40131952	CONNECTING ROD ASSY	1
25		40130409	FEED ROCK SHAFT HINGE SCREW	2
26		WP0550800SP	WASHER 5.5X10X0.8	2
27		SM6040502TP	SCREW M4X0.7 L=5	2
28		26228304	REGULATING LEVER STUD	1
29		SM8060612TP	SCREW M6 L=6	2
30		WP0431005SP	PLAIN WASHER	2
31		NM6060001CP	NUT M6X1 TYPE1	2
32		40130009	HORIZONTAL FEED ARM	1
33	#04	40123627	VERTICAL FEED CAM	1
34		40125857	VERTICAL FEED ROD	1
35		40123639	HF CHANGE BASE SUPPORT PIN	1
36		40123332	CHANGE BASE SHAFT	1
37		40126339	CONNECTION LINK ASM.	2
38		40123252	CONNECTION LINK	(2)
39		40126401	SPRING B	1
40		40131954	FEED BASE	1
41		40130012	FEED LEVER SUPPORT	1
42		10714103	CONNECTION LINK PIN A	1
43		SM8060552TP	SCREW M6 L=5	1
44		40130016	FEED LEVER	1
45		40130017	SLIDE BLOCK	1
46		10714608	CONNECTION LINK B SUPPORT PIN	1
47		SM8060612TP	SCREW M6 L=6	1
48		40130018	FELT	1
49		23036304	FEED LEVER SUPPORT	2
50		SS6090612TP	SCREW 9/64-40 L=6	2
51	#01	40130014	FEED LEVER BASE 2710	1
52		SM6051402TP	SCREW M5X0.8 L=14	2
53		D1231555B00	WASHER	2
54		B125578100A	WASHER A	2
55		40038494	THREAD BIND ARM SPRING RAC	1
56		22904155	MAIN SHAFT THRUST COLLAR ASM.	2
57		22904106	MAIN SHAFT THRUST COLLAR	(1)
58		SS8660610TP	SCREW 1/4-40 L=6	(2)
59		RC0150001KP	C-RING 15 (13.8)	2
60		RE1200000K0	E-RING 12	1
61		WP0650876SD	WASHER 6.5X13X0.8	1
62		CQ202000000	COTTON OIL WICK D=2	0.02
63		CQ202000000	COTTON OIL WICK D=2	0.042
64		CQ202000000	COTTON OIL WICK D=2	0.024
65		CQ202000000	COTTON OIL WICK D=2	0.024
66		CQ202000000	COTTON OIL WICK D=2	0.04
67		CQ202000000	COTTON OIL WICK D=2	0.3
68		CQ202000000	COTTON OIL WICK D=2	0.3
69		CQ202000000	COTTON OIL WICK D=2	0.3
70		CQ202000000	COTTON OIL WICK D=2	0.3
71		RC0650811KP	C-RING 7 (6.5)	4
72		SB130000200	BEARING	1
73	#04	SB115000200	BEARING	1
74		SS8110422TP	SCREW 11/64-40 L=4	1
75		SM6061802TP	SCREW M6 L=18	1
76		SM8040412TP	SCREW M4X4	2
77		SM8050842TP	SETSCREW	1
78		SM8050812TP	SCREW M5X8	1
79		SM8050612TP	SCREW M5X6	1
80		SM8060612TP	SCREW M6 L=6	12
81		SM8060812TP	SCREW M6 L=8	2
82		SS6111010TP	SCREW 11/64-40 L= 9.5	2
83		SM6061402TP	SCREW M6 L=14	1
84		26018705	WASHER	4
85		NS6680410SP	HEXAGONAL NUT 9/32-28	1
86		WP0740516SP	WASHER 7.4X11.8X0.5	4
87		40125935	VERTICAL FEED ARM FRONT	1
88		40126359	VERTICAL FEED ROD BUSH	3
89		40123345	FELT	1
90		40137554	FELT HOLDER	1

No	note	Parts No.	DESCRIPTION	Qty
91		SM6040650TP	SCREW	2
92		40137779	SUPPORT PLATE	1
93		40137780	SPRING RAC	1
94		SM6050800SP	SCREW M5 L=8	2
95	#02	40130015	FEED LEVER BASE 2760	1
96		CQ202000000	OIL WICK	0.05
97		CQ202000000	OIL WICK	0.05
98	#03	40134534	V FEED CAM 2.0	1
99	#03	SB117000700	BEARING	1

1...#01FOR PLC-2710-7/2760-7 / 2...#02FOR PLC-2710/2710-7 / 3...#03FOR PLC-2710/2760/2765/2760L / 4...#04FOR PLC-2760/2760-7/2760L/2765 / 5...#05FOR PLC-2760L / 6...#06FOR PLC-2710/2760/2760L / 7...#07FOR PLC-2710-7/2760-7/2765 / 8... / 1...#01FOR PLC-2710-7/2760-7 / 2...#02FOR PLC-2710/2710-7 / 3...#03FOR PLC-2710/2760/2765/2760L / 4...#04FOR PLC-2760/2760-7/2760L/2765 / 5...#05FOR PLC-2760L / 6...#06FOR PLC-2710/2760/2760L / 7...#07FOR PLC-2710-7/2760-7/2765 / 8... / 1...#01FOR PLC-2710-7/2760-7 / 2...#02FOR PLC-2710/2760/2765/2760L / 3...#03FOR PLC-2760L / 4...#04FOR PLC-2765 / 5...#05FOR PLC-2710/2710-7/2760/2760-7/2760L / 6...#06FOR PLC-2710/2710-7/2760/2760-7/2765 / 7... / 1...#01FOR PLC-2710/2710-7 / 2...#02FOR PLC-2760/2760-7 / 3...#03SELECTIVE PARTS / 4...#04FOR PLC-2760L / 5...#05FOR PLC-2760/2760-7/2760L / 6... / 1...#01SELECTIVE PARTS / 2... / 1...#01FOR PLC-2710/2710-7 / 2...#02FOR PLC-2760/2760-7/2760L/2765 / 3...#03SELECTIVE



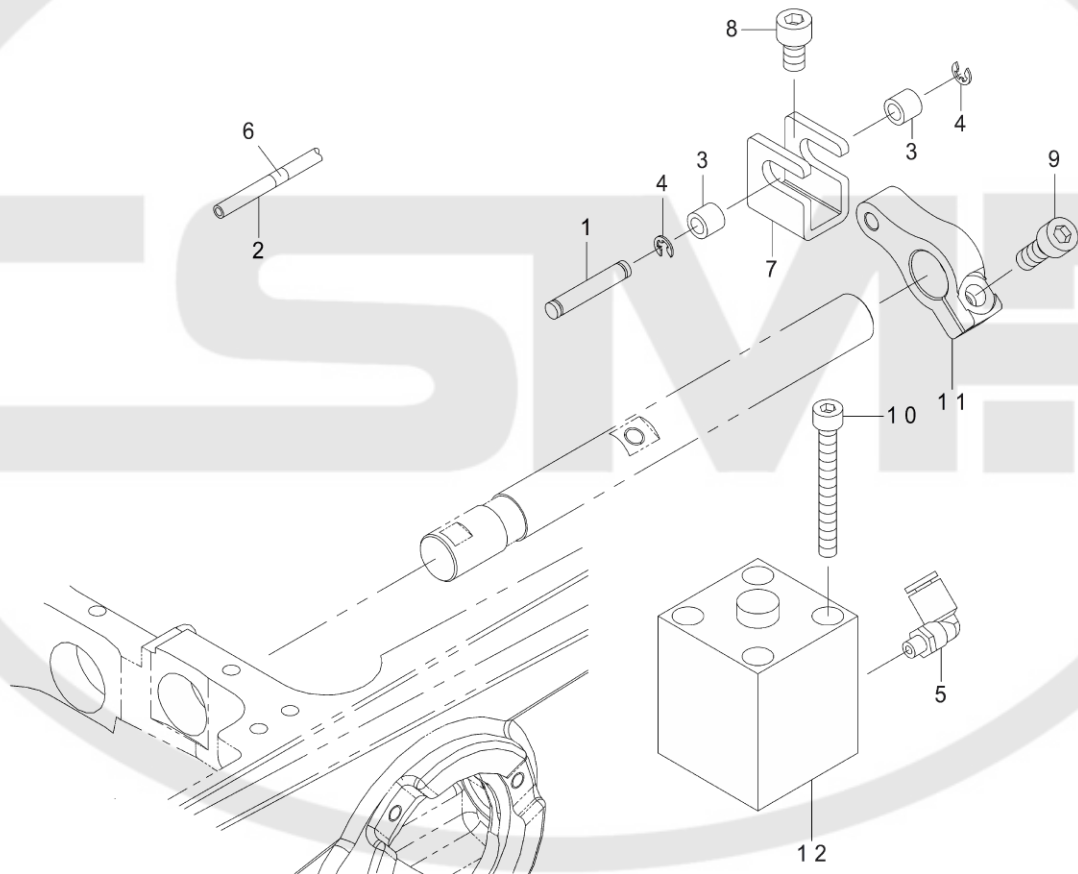


No	note	Parts No.	DESCRIPTION	Qty
1		40126363	BACKWARD FEED LEVER SHAFT	1
2		40129986	FEED ADJUSTING PIN HOLDER A	1
3		40129984	ADJUSTING BASE A	1
4		40129988	FEED ADJUSTING LINK	1
5		40134528	SPRING SUSPENSION	1
6		22911804	FEED REGULATOR SCREW	1
7		10715704	VERTICAL DIAL PIN	1
8		B152652700G	SPRING	1
9		23613409	FEED ADJUSTING PIN	1
10	#01	40129992	REVERSE FEED LEVER ASM B	1
11		SM8060612TP	SCREW M6 L=6	1
12		40134105	FEED ADJUSTING BASE SPRING	1
13		23630007	TUBE	0.08
14	#01	SM8060612TP	SCREW M6 L=6	2
15		40126116	REVERSE FEED LEVER DRAFT	1
16		40130004	FEED DIAL KNOB	1
17		40130001	FEED DIAL COVER A	1
18		40130003	FEED DIAL GEAR	1
19		40130005	FEED DIAL SUPPORT PLATE	1
20		40133826	SPACER	1
21		SM6041802TP	SCREW M4 L=18	2
22		40130006	HEXA SHAFT	1
23		23613409	FEED ADJUSTING PIN	1
24		40033825	HEAD FIXED SHAFT	1
25		RO092270200	O-RING	1
26		SL4040881SC	SCREW M4 L=8	2
27		SM8060612TP	SCREW M6 L=6	2
28		SM8050412TP	SCREW M5 L=4	6
29		SS6121210SP	SCREW 3/16-28 L=12	1
30		SM6052002TP	SCREW M5X0.8 L=20	1
31		13424502	BUSHING FRONT	1
32		40086018	BUSHING MAIN FEED	1
33		CS1201010SH	THRUST COLLAR ASM. D=12 W=10	1
34		40132118	FEED DIAL PLATE A	1
35		40134959	FEED ADJUSTING PIN A	1
36		40137780	SPRING RAC	1
37		B4122804000	ROLLER	1
38	#02	40133826	SPACER	1
39		40130412	FEED ADJUSTING ARM BT	1
40		WT1780011KP	TOOTHED WASHER 18	2
41		SM6041402TP	SCREW M4 L=14	1
42		SM6040802TP	SCREW M4X0.7 L=8	2
43		40130820	SCREW	1
44		WP0431005SP	PLAIN WASHER	1
45	#02	SM6041402TP	SCREW M4 L=14	3
46	#02	40131887	FEED ADJUSTING PIN	1
47	#02	SM8050412TP	SCREW M5 L=4	2
48	#02	B4122804000	ROLLER	3
49	#02	40112127	BACKWARD FEED CONNECTING ARM	1
50	#02	40129991	REVERSE FEED LEVER ASM	1
51	#02	40125864	REVERSE FEED LEVER SPRING HOOK	1
52	#02	D2629M1YCOF	SPRING	1
53	#02	26229302	SUSPENSION SCREW	1
54	#02	NM6050001SD	NUT M5X0.8 TYPE1	1
55	#02	RO092270200	O-RING	1
56	#02	SM4050855SP	SCREW	1
57	#02	SM6051400SP	SCREW	1
58	#02	SM6051202TP	SCREW M5X0.8 L=12	1
59	#02	SM6051602TP	SCREW M5X0.8 L=16	1
60	#02	SS6121210SP	SCREW 3/16-28 L=12	1
61	#02	22911804	FEED REGULATOR SCREW	1
62	#02	10715704	VERTICAL DIAL PIN	1
63	#02	B152652700G	SPRING	1
64	#02	40125858	FEED ADJUSTING PIN HOLDER B	1
65	#02	40129985	ADJUSTING BASE B	1
66	#02	40126642	CYLINDER BASE A	1
67	#02	40129999	CYLINDER JOINT B	1
68	#02	40126643	CYLINDER BASE B	1
69	#02	40130004	FEED DIAL KNOB	1
70	#02	40130003	FEED DIAL GEAR	1
71	#02	40130005	FEED DIAL SUPPORT PLATE	1
72	#02	SM8060612TP	SCREW M6 L=6	1
73	#02	SM6041802TP	SCREW M4 L=18	2
74	#02	40077931	PRESSURE LOWERING SHAFT	1
75	#02	BT0400251EB	URETHANE TUBE BLACK 4X2.5	0.36
76	#02	BT0400251EB	URETHANE TUBE BLACK 4X2.5	0.36
77	#02	PJ046052503	HOSE ELBOW	2
78	#02	40132118	FEED DIAL PLATE A	1
79	#02	SD0800346TP	SHOULDER SCREW D=8 H=3.4	1
80	#02	SD0900426TP	SHOULDER SCREW D=9 H=4.2	2
81	#02	SM6050802TP	SCREW M5X0.8 L=8	1
82	#02	SM6061010TP	SCREW M6 L=10	3
83	#02	SM6061602TP	SCREW M6 L=16	2
84	#02	PA200150900	AIR CYLINDER	1
85	#02	18035006	CABLE MARK NO.1	2
86	#02	18035105	WIRE MARK (2)	2
87	#02	40130819	FEED DIAL COVER B	1
88	#02	40130006	HEXA SHAFT	1
89	#02	40130820	SCREW	2
90	#02	WP0431005SP	PLAIN WASHER	2

No	note	Parts No.	DESCRIPTION	Qty
91	#02	EA9500B0100	CABLE BAND	2
92		40137612	DIAL PLATE BUSH	1
93	#02	40137612	DIAL PLATE BUSH	1
94		40137613	DIAL PLATE BUSH	1
95	#02	40137613	DIAL PLATE BUSH	1
96	#03	40139455	SOLENOID RELAY CABLE ASM.	1

1...#01FOR PLC-2710-7/2760-7 / 2...#02FOR PLC-2710/2710-7 / 3...#03FOR PLC-2710/2760/2765/2760L / 4...#04FOR PLC-2760/2760-7/2760L/2765 / 5...#05FOR PLC-2760L / 6...#06FOR PLC-2710/2760/2760L / 7...#07FOR PLC-2710-7/2760-7/2765 / 8... / 1...#01FOR PLC-2710-7/2760-7 / 2...#02FOR PLC-2710/2710-7 / 3...#03FOR PLC-2710/2760/2765/2760L / 4...#04FOR PLC-2760/2760-7/2760L/2765 / 5...#05FOR PLC-2760L / 6...#06FOR PLC-2710/2760/2760L / 7...#07FOR PLC-2710-7/2760-7/2765 / 8... / 1...#01FOR PLC-2710-7/2760-7 / 2...#02FOR PLC-2710/2760/2765/2760L / 3...#03FOR PLC-2760L / 4...#04FOR PLC-2765 / 5...#05FOR PLC-2710/2710-7/2760/2760-7/2760L / 6...#06FOR PLC-2710/2710-7/2760/2760-7/2765 / 7... / 1...#01FOR PLC-2710/2710-7 / 2...#02FOR PLC-2760/2760-7 / 3...#03SELECTIVE PARTS / 4...#04FOR PLC-2760L / 5...#05FOR PLC-2760/2760-7/2760L / 6... / 1...#01SELECTIVE PARTS / 2... / 1...#01FOR PLC-2710/2710-7 / 2...#02FOR PLC-2760/2760-7/2760L/2765 / 3...#03SELECTIVE

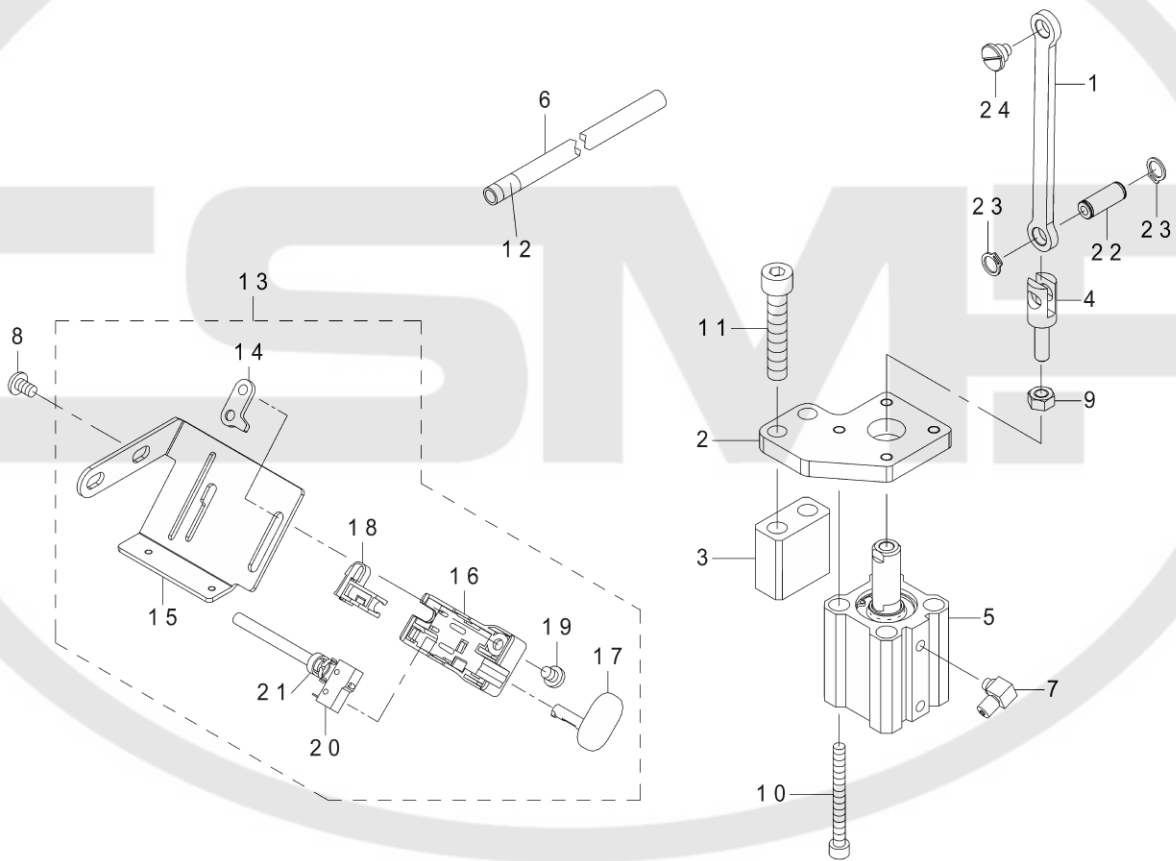




No	note	Parts No.	DESCRIPTION	Qty
1		B1504210000	CONNECTING SHAFT	1
2		BT0400251EB	URETHANE HOSE BLACK	0.58
3		B3031141H00	CONNECTING STUD	2
4		RE0320000K0	E-RING 3.2	2
5		PJ304040504	ELBOW UNION	1
6		18035501	WIRE MARK (6)	2
7		40112191	KNUCKLE JOINT B	1
8		SM6061002TP	SCREW M6 L=10	1
9		SM6061602TP	SCREW M6 L=16	1
10		SM6054502TP	SCREW M5X0.8 L=45	2
11		40112192	TERTICAL CYLINDER ARM	1
12		PA250250900	AIR CYLINDER	1

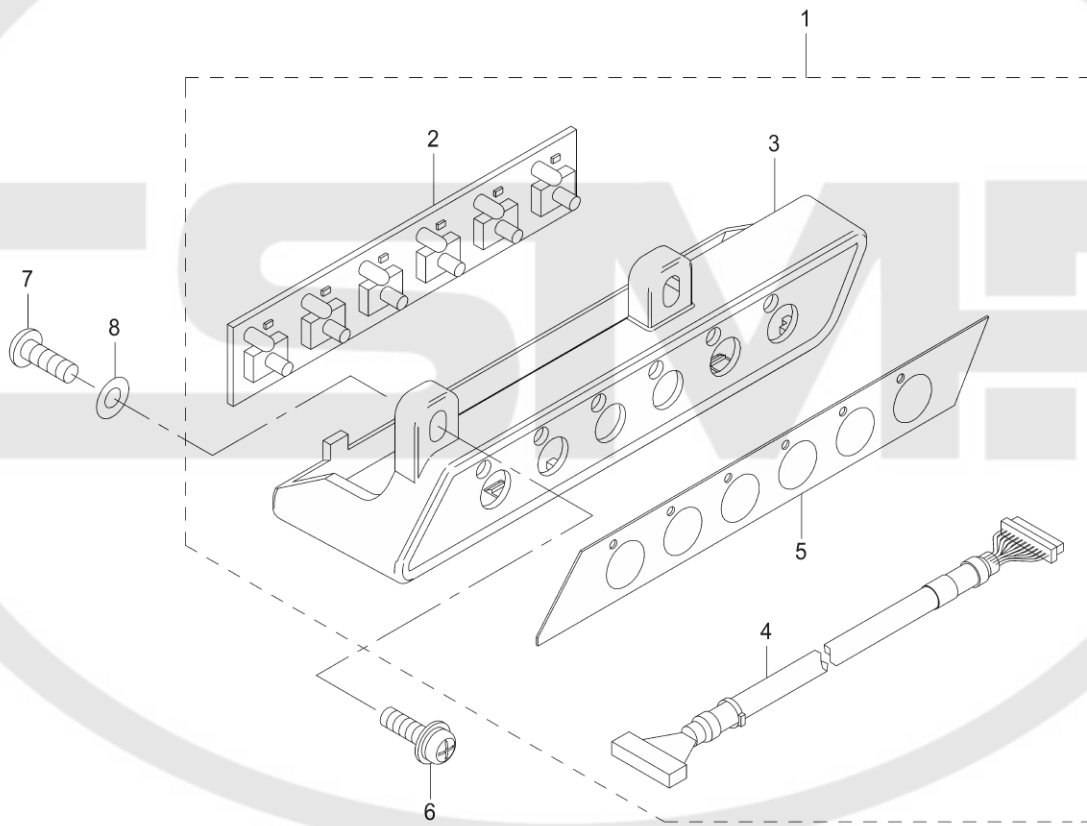
1... /





No	note	Parts No.	DESCRIPTION	Qty
1		40130413	BT LINK	1
2		40130024	BT CYLINDER PLATE	1
3		40130414	BT CYLINDER BLOCK	1
4		40052254	CYLINDER KNUCKLE JOINT	1
5		PA250250900	AIR CYLINDER	1
6		BT0400251EB	URETHANE TUBE BLACK 4X2.5	0.27
7		PJ046052503	HOSE ELBOW	1
8		SM4050855SP	SCREW	2
9		NM6060001CP	NUT M6X1 TYPE1	1
10		SM6055002TP	SCREW M5 L=50	4
11		SM6084502TP	SCREW M8 L=45	2
12		18035709	WIRE MARK (8)	2
13		40130285	TB SWITCH ASSY	1
14		23632102	REVERSE FEED SWITCH BASE GUIDE	(1)
15		40112213	TB SW MOUNTING PLATE	(1)
16		23631708	REVERSE FEED SWITCH COVER	(1)
17		23631807	REVERSE FEED SWITCH SHAFT	(1)
18		23631906	REVERSE FEED SWITCH SUPPORT	(1)
19		SS7110740TP	SCREW 11/64-40 L=7	(1)
20		40130286	REVERSE FEED CORD ASM	(1)
21		EA9500B0100	CABLE BAND	(1)
22		10714103	CONNECTION LINK PIN A	1
23		RC0740811KP	C-RING 8 (7.4)	2
24		SD0800406TP	SHOULDER SCREW D=8 H=4	1

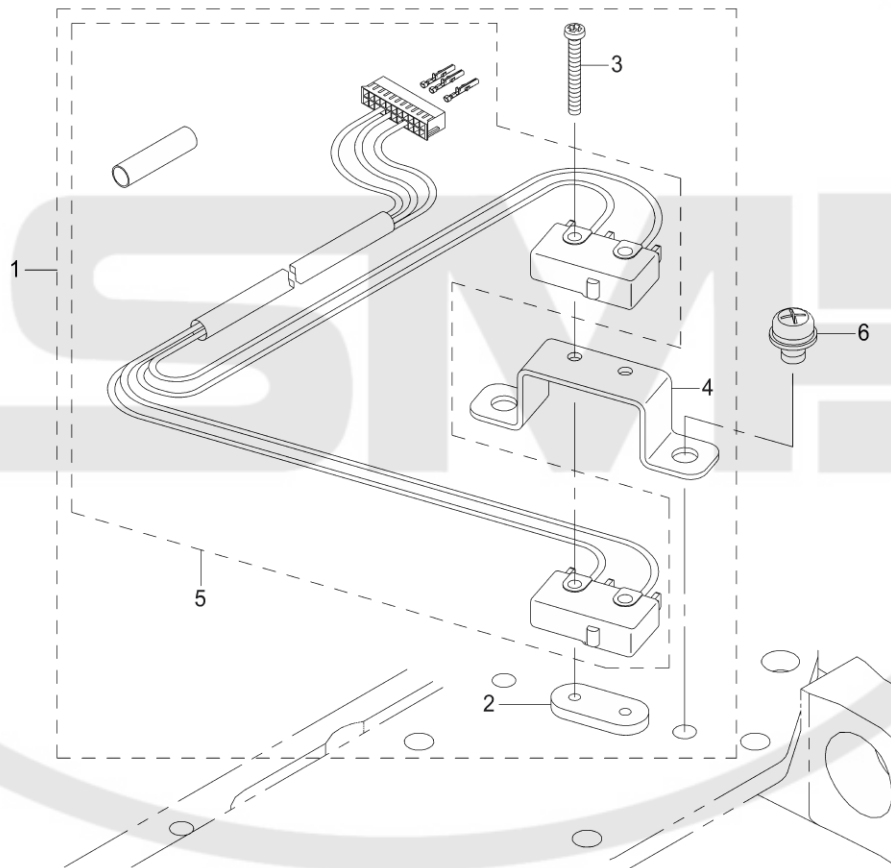
1... /



No	note	Parts No.	DESCRIPTION	Qty
1		40130287	.SWITCH ASM	1
2		40105510	6RANGE SWITCH PCB ASSY	(1)
3		40112215	6RANGE SWITCH COVER	(1)
4		40130288	6RANGE SWITCH CABLE ASM.	(1)
5		40112216	PANEL SHEET	(1)
6	#01	SL4041491SC	SCREW 4 X 14	2
7	#02	SM4041201SC	SCREW M4 L=12	2
8	#02	WP0430801SC	WASHER M4	2

1...#01FOR PLC-2710-7/2760-7/2710(WITH AK/BT/DL)/2760(WITH AK/BT/DL) / 2...#02FOR PLC-2765(WITH AK/BT/DL) / 3... /

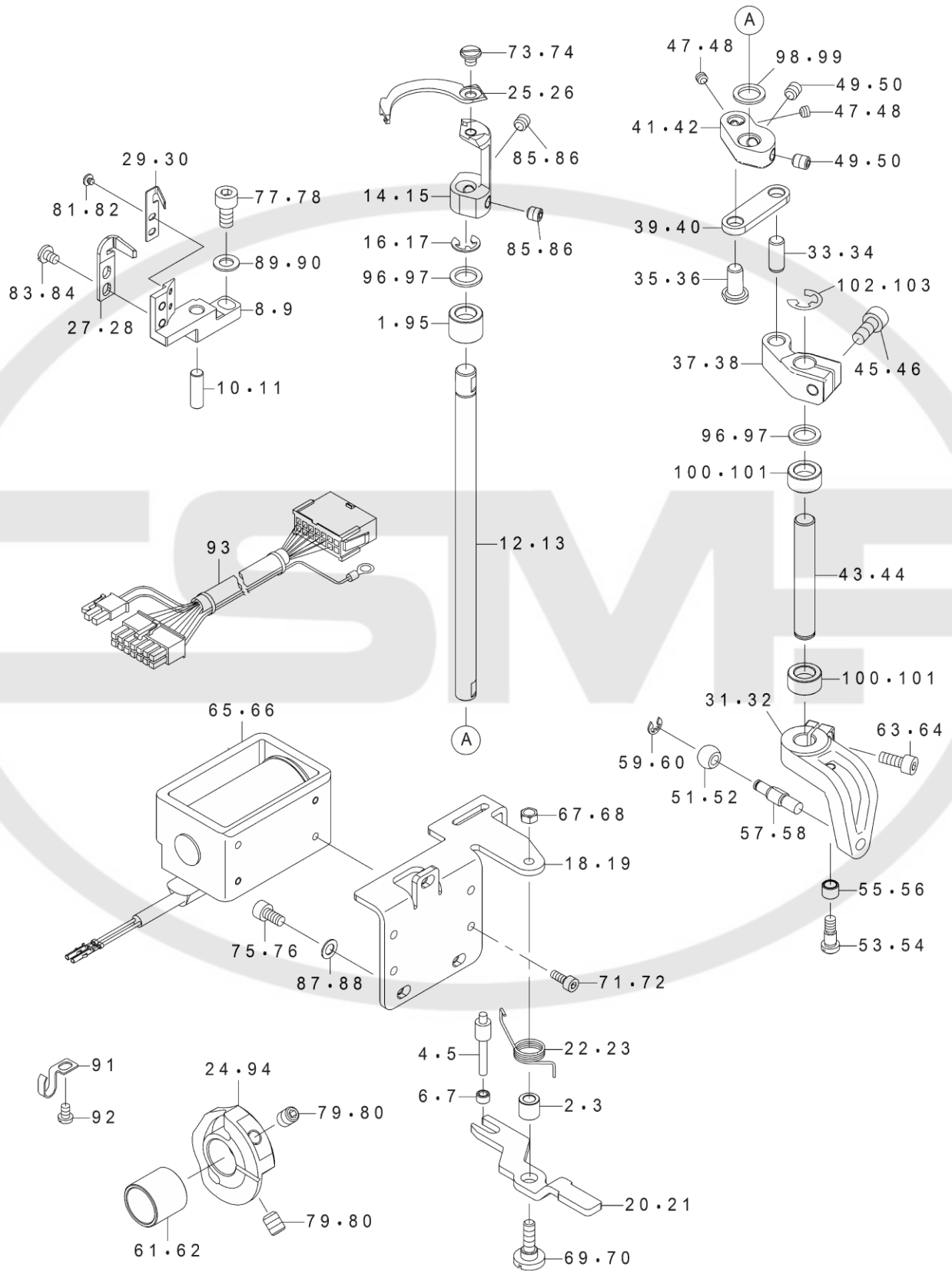




No	note	Parts No.	DESCRIPTION	Qty
1		40130289	VERTICAL DETECTOR SWITCH ASM.	1
2		23638406	SAFETY SWITCH NUT	(1)
3		SM4021601SN	SCREW M2 L=16	(2)
4		40126259	SENSOR BRACKET	(1)
5		40130290	SPEED CONTROL CORD ASM.	(1)
6		SL4040691SC	SCREW M4 L=6	2

1... /



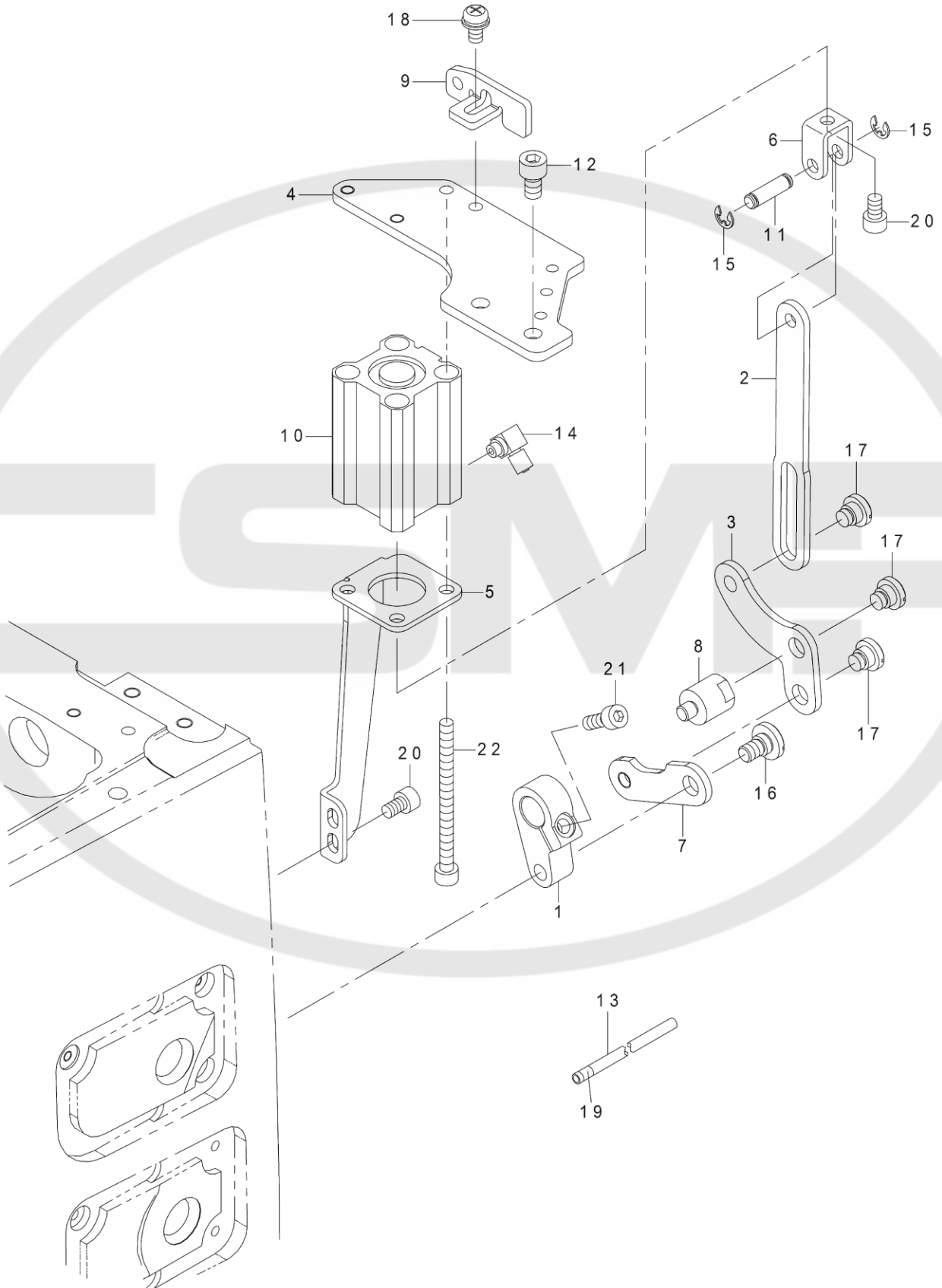


No	note	Parts No.	DESCRIPTION	Qty
1		40138044	BEARING	1
2	#01	22956205	WIPER HINGE SCREW COLLAR	1
3	#02	22956205	WIPER HINGE SCREW COLLAR	2
4	#01	22957104	WIPER SOLENOID SHAFT	1
5	#02	22957104	WIPER SOLENOID SHAFT	2
6	#01	22957203	WIPER LINK COLLAR	1
7	#02	22957203	WIPER LINK COLLAR	2
8	#01	40130057	F KNIFE BASE	1
9	#02	40130057	F KNIFE BASE	2
10	#01	13416508	PIN DIFF ADJ	1
11	#02	13416508	PIN DIFF ADJ	2
12	#01	40130051	M KNIFE SHAFT	1
13	#02	40130051	M KNIFE SHAFT	2
14	#01	40130049	M KNIFE BASE	1
15	#02	40130049	M KNIFE BASE	2
16	#01	RE0500000K0	E-RING	1
17	#02	RE0500000K0	E-RING	2
18	#01	40133503	THREAD TRIMMER SOL BASE PLATE	1
19	#02	40133503	THREAD TRIMMER SOL BASE PLATE	2
20	#01	40112234	KNIFE DRIVING ARM LINK	1
21	#02	40112234	KNIFE DRIVING ARM LINK	2
22	#01	40112235	DRIVING ARM RETURN SPRING	1
23	#02	40112235	DRIVING ARM RETURN SPRING	2
24		40130059	THREAD TRIMMER CAM RIGHT	1
25	#01	40130050	MOVING KNIFE	1
26	#02	40130050	MOVING KNIFE	2
27	#01	40130056	FIXED KNIFE	1
28	#02	40130056	FIXED KNIFE	2
29	#01	40130055	CLAMP SPRING	1
30	#02	40130055	CLAMP SPRING	2
31	#01	40123248	MOVING KNIFE DRIVING ARM	1
32	#02	40123248	MOVING KNIFE DRIVING ARM	2
33	#01	13319405	MAIN FEED ROCKER PIN	1
34	#02	13319405	MAIN FEED ROCKER PIN	2
35	#01	13461504	LINK PIN	1
36	#02	13461504	LINK PIN	2
37	#01	40130052	M KNIFE ARM A	1
38	#02	40130052	M KNIFE ARM A	2
39	#01	40130053	M KNIFE LINK	1
40	#02	40130053	M KNIFE LINK	2
41	#01	40130054	M KNIFE ARM B	1
42	#02	40130054	M KNIFE ARM B	2
43	#01	40130058	M KNIFE DRIVING SHAFT	1
44	#02	40130058	M KNIFE DRIVING SHAFT	2
45	#01	SM6051202TP	SCREW M5X0.8 L=12	1
46	#02	SM6051202TP	SCREW M5X0.8 L=12	2
47	#01	SM8040312TP	SCREW M4 L=3	2
48	#02	SM8040312TP	SCREW M4 L=3	4
49	#01	SM8050612TP	SCREW M5X6	2
50	#02	SM8050612TP	SCREW M5X6	4
51	#01	21470505	CAM ROLLER(245-7SP)	1
52	#02	21470505	CAM ROLLER(245-7SP)	2
53	#01	SD0460576TP	SHOULDER SCREW D=4.6 H=5.7	1
54	#02	SD0460576TP	SHOULDER SCREW D=4.6 H=5.7	2
55	#01	B2508047000	BLOCK ROLLER	1
56	#02	B2508047000	BLOCK ROLLER	2
57	#01	40130593	ROLLER SHAFT	1
58	#02	40130593	ROLLER SHAFT	2
59	#01	RE0300000K0	E-RING 3	1
60	#02	RE0300000K0	E-RING 3	2
61	#01	40130620	SPACER	1
62	#02	40130620	SPACER	2
63	#01	SM6041002TP	SCREW M4X0.7 L=10	1
64	#02	SM6041002TP	SCREW M4X0.7 L=10	2
65	#01	40137921	THREAD TRIMMER SOLENOID	1
66	#02	40137921	THREAD TRIMMER SOLENOID	2
67	#01	NS6110310SP	HEXAGONAL NUT 11/64-40	1
68	#02	NS6110310SP	HEXAGONAL NUT 11/64-40	2
69	#01	SD0650321TP	SHOULDER SCREW D=6.5 H=3.2	1
70	#02	SD0650321TP	SHOULDER SCREW D=6.5 H=3.2	2
71	#01	SM6030602TP	SCREW M3X0.5 L=6	4
72	#02	SM6030602TP	SCREW M3X0.5 L=6	8
73	#01	SS6110480SP	SCREW 11/64-40 L=4.3	1
74	#02	SS6110480SP	SCREW 11/64-40 L=4.3	2
75	#01	SM6040802TP	SCREW M4X0.7 L=8	3
76	#02	SM6040802TP	SCREW M4X0.7 L=8	6
77	#01	SM6051002TP	SCREW M5X0.8 L=10	1
78	#02	SM6051002TP	SCREW M5X0.8 L=10	2
79	#01	SM8060812TP	SCREW M6 L=8	2
80	#02	SM8060812TP	SCREW M6 L=8	4
81	#01	SS6060220SP	SCREW 3/32-56 L= 2.0	2
82	#02	SS6060220SP	SCREW 3/32-56 L= 2.0	4
83	#01	SS6090520SP	SCREW 9/64-40 L= 5.0	2
84	#02	SS6090520SP	SCREW 9/64-40 L= 5.0	4
85	#01	SM8050512TP	SCREW	2
86	#02	SM8050512TP	SCREW	4
87	#01	WP0450000SD	WASHER 4.5X8X0.5	3
88	#02	WP0450000SD	WASHER 4.5X8X0.5	6
89	#01	WP0550800SP	WASHER 5.5X10X0.8	1
90	#02	WP0550800SP	WASHER 5.5X10X0.8	2

No	note	Parts No.	DESCRIPTION	Qty
91		26231902	OIL WICK PIPE STOPPER	1
92		SM4040655SP	SCREW M4 L=6	1
93		40139455	SOLENOID RELAY CABLE ASM.	1
94	#02	40130060	THREAD TRIMMER CAM LEFT	1
95	#02	40138044	BEARING	2
96	#01	40137802	WASHER	2
97	#02	40137802	WASHER	4
98	#01	40137803	WASHER	1
99	#02	40137803	WASHER	2
100	#01	40137999	BEARING	2
101	#02	40137999	BEARING	4
102	#01	RE0500000K0	E-RING	1
103	#02	RE0500000K0	E-RING	2

1...#01FOR PLC-2710-7/2760-7 / 2...#02FOR PLC-2710/2710-7 / 3...#03FOR PLC-2710/2760/2765/2760L / 4...#04FOR PLC-2760/2760-7/2760L/2765 / 5...#05FOR PLC-2760L / 6...#06FOR PLC-2710/2760/2760L / 7...#07FOR PLC-2710-7/2760-7/2765 / 8... / 1...#01FOR PLC-2710-7/2760-7 / 2...#02FOR PLC-2710/2710-7 / 3...#03FOR PLC-2710/2760/2765/2760L / 4...#04FOR PLC-2760/2760-7/2760L/2765 / 5...#05FOR PLC-2760L / 6...#06FOR PLC-2710/2760/2760L / 7...#07FOR PLC-2710-7/2760-7/2765 / 8... / 1...#01FOR PLC-2710-7/2760-7 / 2...#02FOR PLC-2710/2760/2765/2760L / 3...#03FOR PLC-2760L / 4...#04FOR PLC-2765 / 5...#05FOR PLC-2710/2710-7/2760/2760-7/2760L / 6...#06FOR PLC-2710/2710-7/2760/2760-7/2765 / 7... / 1...#01FOR PLC-2710/2710-7 / 2...#02FOR PLC-2760/2760-7 / 3...#03SELECTIVE PARTS / 4...#04FOR PLC-2760L / 5...#05FOR PLC-2760/2760-7/2760L / 6... / 1...#01SELECTIVE PARTS / 2... / 1...#01FOR PLC-2710/2710-7 / 2...#02FOR PLC-2760/2760-7/2760L/2765 / 3...#03SELECTIVE

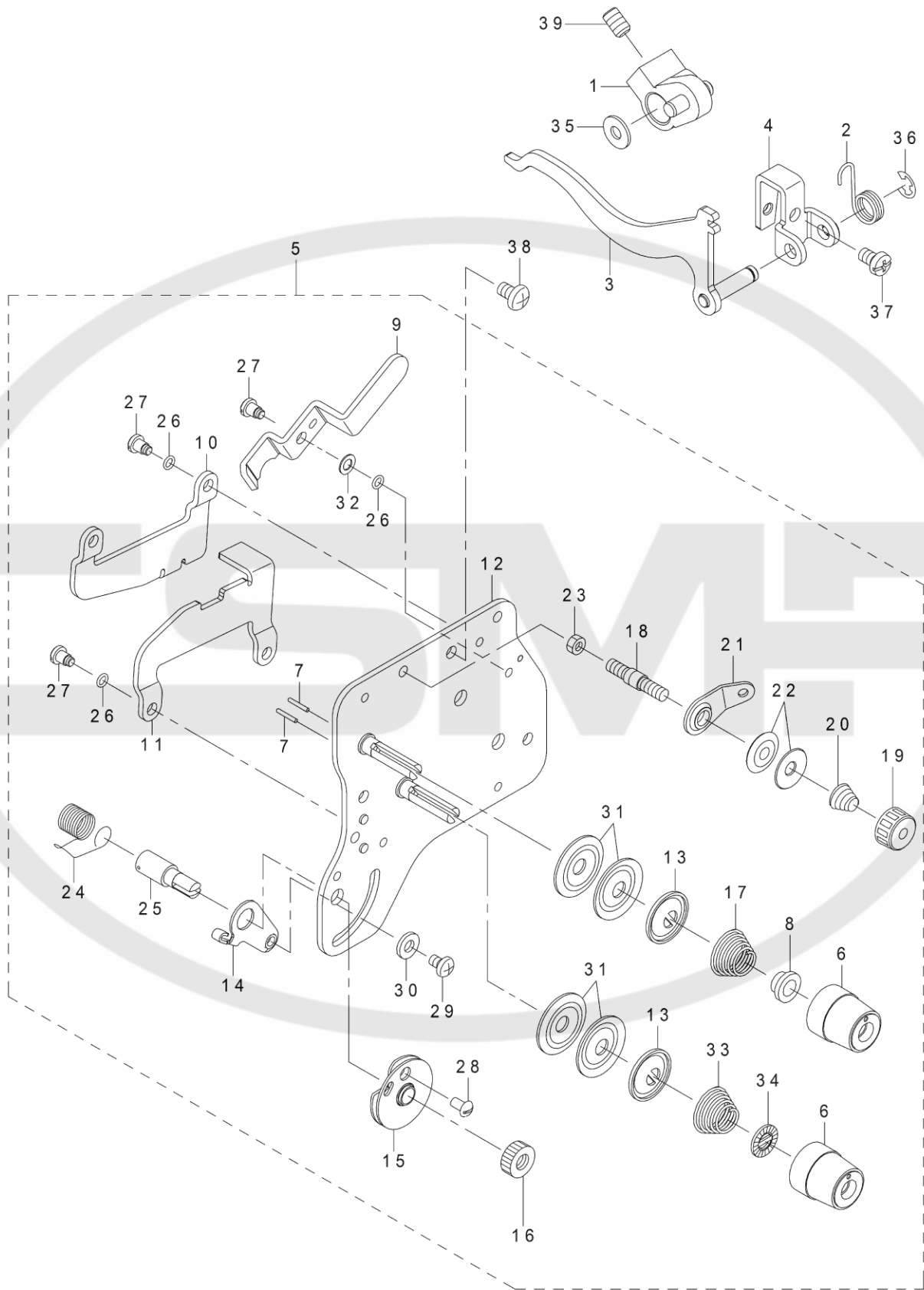




No	note	Parts No.	DESCRIPTION	Qty
1		40133612	CONDENSE ARM	1
2		40112137	LINK A	1
3		40112138	LINK B	1
4		40125872	CYLINDER BRACKET	1
5		40112140	CYLINDER STAY	1
6		40112149	CYLINDER KNUCKLE	1
7		40133655	LINK D	1
8		40112151	BT LINK STUD	1
9		40112228	MOTOR COVER FITTING PLATE	1
10		PA200350300	AIR CYLINDER	1
11		D2464555B00	LINK DRIVING MAGNET PIN	1
12		SM6061002TP	SCREW M6 L=10	2
13		BT0400251EB	URETHANE HOSE BLACK	0.27
14		PJ046052503	HOSE ELBOW	1
15		RE0400000K0	E-RING 4	2
16		SD0800321TH	HINGE SCREW D=8 H=3.2	1
17		SD0800341SP	HINGE SCREW D=8 H=3.4	3
18		SL4051091SC	SCREW M5X0.8 L=10	1
19		18035303	WIRE MARK (4)	2
20		SM6050802TP	SCREW M5X0.8 L=8	3
21		SM6051402TP	SCREW M5X0.8 L=14	1
22		SM6056552TP	SCREW	3

1... /

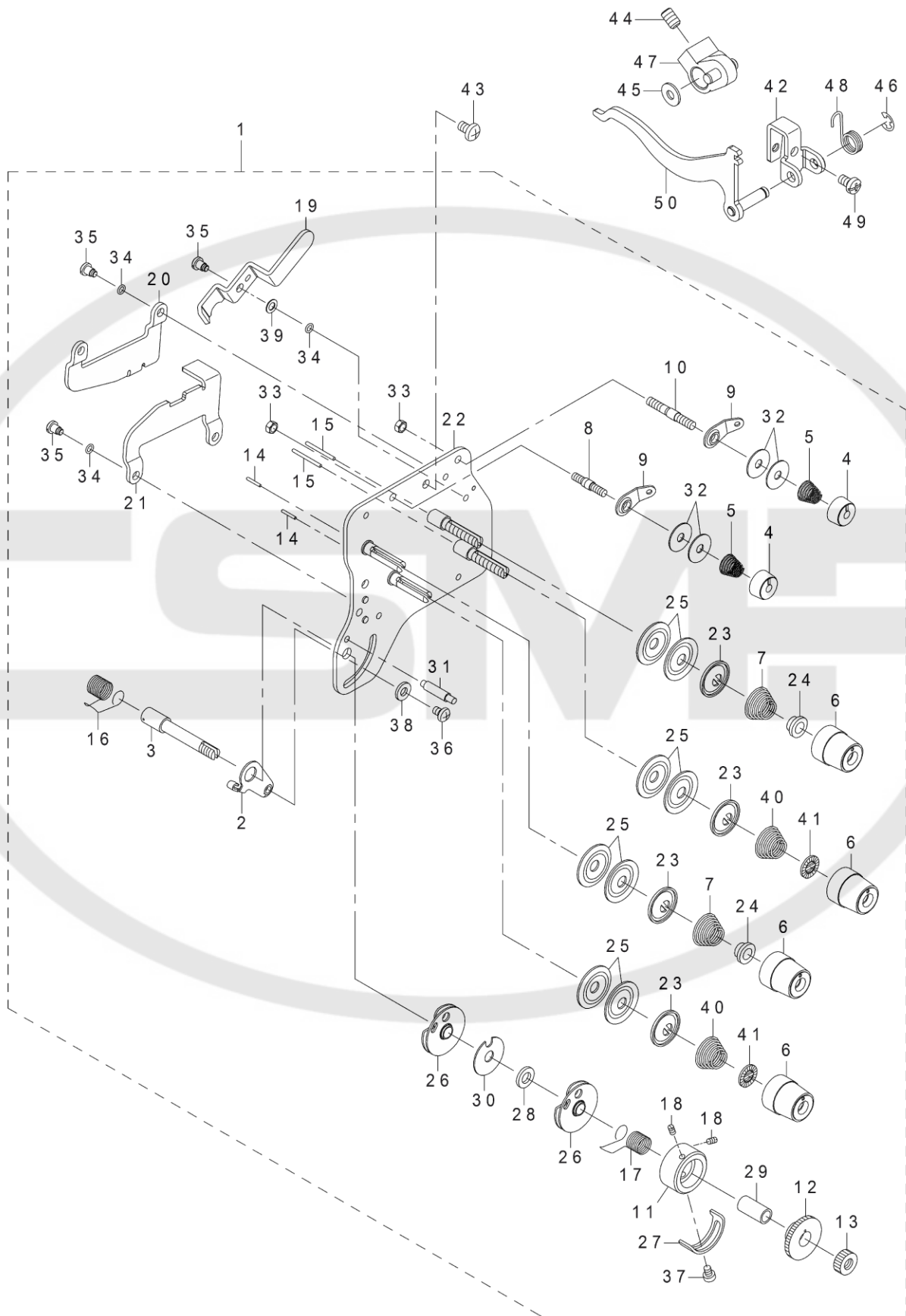




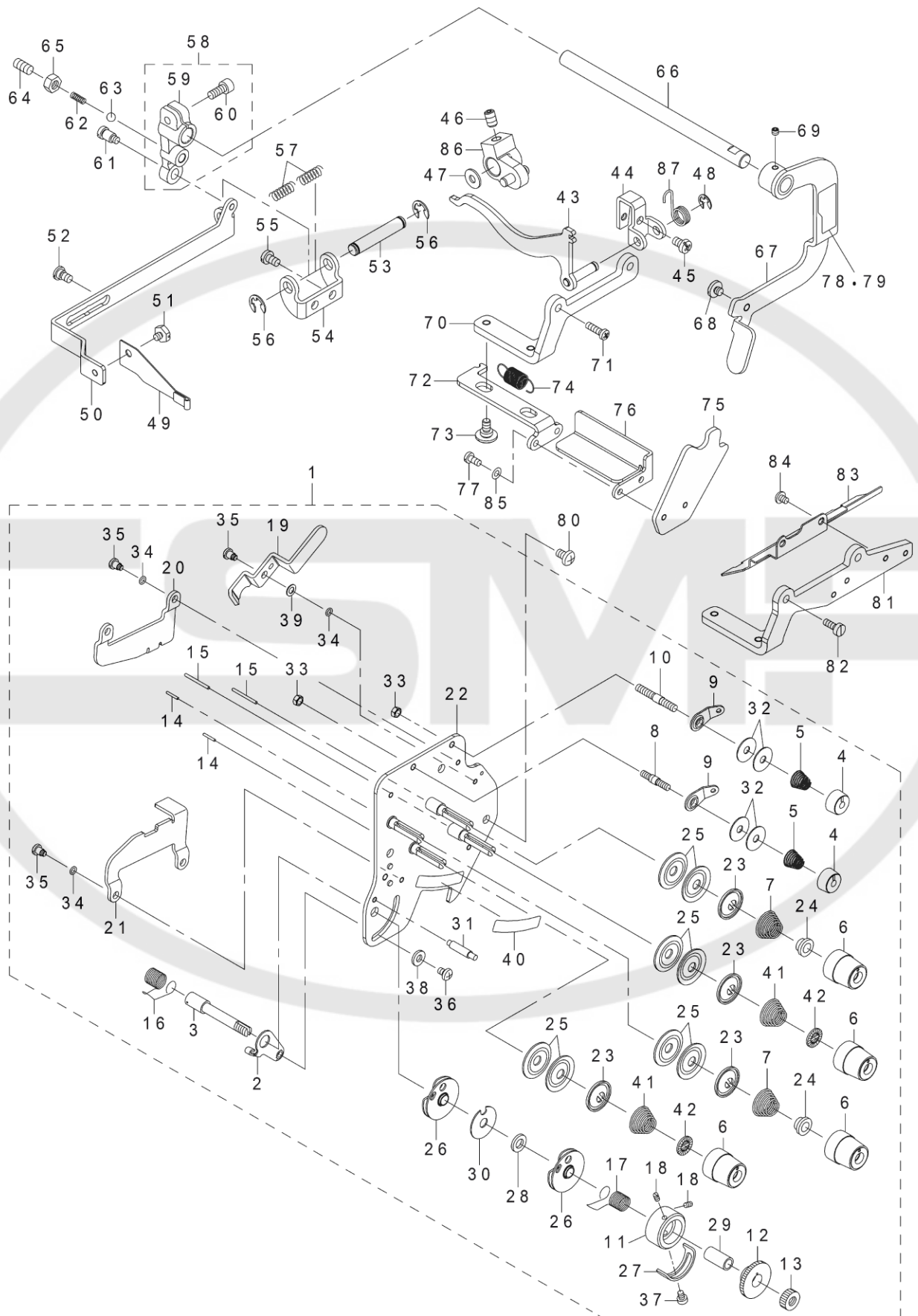
No	note	Parts No.	DESCRIPTION	Qty
1		22912257	FEED REVERSE ARM ASM.	1
2		22954309	REVERSE FEED SWITCH SPRING	1
3		40126285	DISK RELEASE LINK ASM.	1
4		40125873	DISK RELEASE LINK BASE	1
5		40134505	THREAD TENSION ASM.	1
6		11957008	THREAD TENSION KNOB	(2)
7		22618201	TENSION RELEASE PIN A	(2)
8		B3112704000	TENSION SPRING BUSHING	(1)
9		40112204	TENSION RELEASE LEVER	(1)
10		40112218	DISK RELEASE PLATE A	(1)
11		40112219	DISK RELEASE PLATE B	(1)
12		40126404	ASSY TENSION BASE PLATE	(1)
13		40126724	TENSION DISC HOLDER	(2)
14		10697506	THREAD TENSION BRACKET A	(1)
15		B31375270A0	TAKE-UP SPRING GUIDE ASM.	(1)
16		22617807	NUT	(1)
17		12938304	TENSION SPRING	(1)
18		22528806	PRE TENSION POST	(1)
19		22945703	THREAD TENSION NUT	(1)
20		22963409	THREAD TENSION SPRING	(1)
21		22529408	BOBBIN THREAD GUIDE	(1)
22		22945802	THREAD TENSION DISK	(1)
23		NS6110310SP	NUT 11/64-40	(1)
24		22618706	THREAD TAKE-UP SPRING A	(1)
25		10320109	SCREW STUD	(1)
26		RO037180100	RUBBER RING	(5)
27		SD0450401SP	HINGE SCREW D= 4.5 H= 4	(5)
28		SS3090710TP	SCREW 9/64-40 L=7	(1)
29		SS4110615SP	SCREW 11/64-40 L=6	(1)
30		WP0501016SD	WASHER 5X10.5X1	(1)
31		B3126012000	THREAD TENSION DISK	(4)
32		WP0460556SD	WASHER 4.6X7.5X0.5	(1)
33		B3129053000	TENSION SPRING	(1)
34		22921407	ROTATION STOPPER	(1)
35		22528509	FELT	1
36		RE0500000K0	E-RING	1
37		SM4050855SP	SCREW	1
38		SM4051001SN	SCREW M5	3
39		SS8661012TP	SCREW	1

1... /

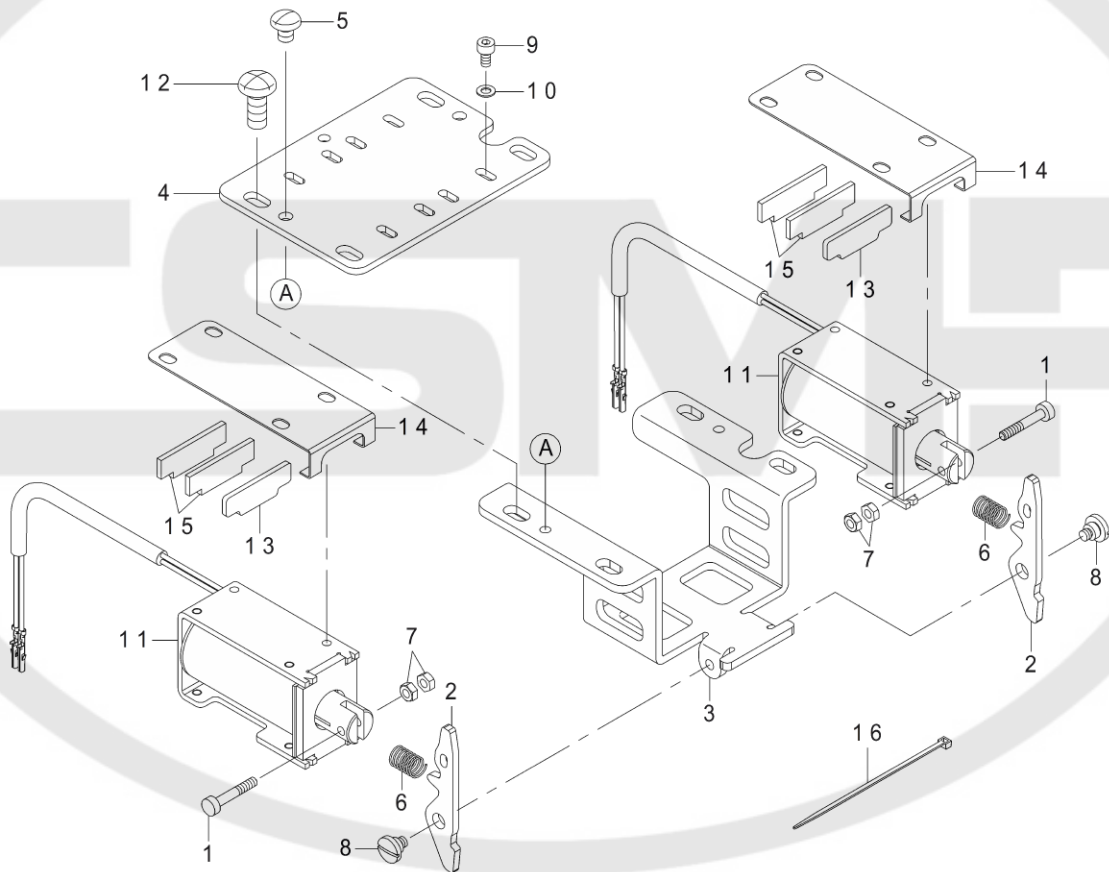




No	note	Parts No.	DESCRIPTION	Qty
1		40132435	THREAD TENSION ASM.	1
2		10697506	THREAD TENSION BRACKET A	(1)
3		10697605	THREAD TAKE-UP SPRING STUD	(1)
4		11072402	THREAD TENSION NUT	(2)
5		11093606	THREAD TENSION SPRING	(2)
6		11957008	THREAD TENSION KNOB	(4)
7		12938304	TENSION SPRING	(2)
8		22528806	THREAD TENSION POST	(1)
9		22529408	BOBBIN THREAD GUIDE	(2)
10		22529515	BOBBIN THREAD TENSION ROD	(1)
11		22617609	THREAD TENSION POST	(1)
12		22617708	TAKE-UP SPRING GUIDE	(1)
13		22617807	NUT	(1)
14		22618201	TENSION RELEASE PIN A	(2)
15		22618300	TENSION RELEASE PIN B	(2)
16		22618706	THREAD TAKE-UP SPRING A	(1)
17		22618805	THREAD TAKE-UP SPRING B	(1)
18		22618904	SET SCREW	(2)
19		40112204	TENSION RELEASE LEVER	(1)
20		40112218	DISK RELEASE PLATE A	(1)
21		40112219	DISK RELEASE PLATE B	(1)
22		40126557	ASSY TENSION BASE PLATE	(1)
23		40126724	TENSION DISC HOLDER	(4)
24		B3112704000	TENSION SPRING BUSHING	(2)
25		B3126012000	THREAD TENSION DISK	(8)
26		B31375270A0	TAKE-UP SPRING GUIDE ASM.	(2)
27		B3138527000	ADJUSTING PLATE B	(1)
28		B3139527000	COLLAR	(1)
29		B3141527000	PRESSER COLLAR	(1)
30		B3142527000	TAKE-UP SPRING GUIDE PLATE	(1)
31		B3143527000	TAKE-UP SPRING GUIDE STUD	(1)
32		B3214047000	BOBBIN WINDER TENSION DISC	(4)
33		NS6110310SP	NUT 11/64-40	(2)
34		RO037180100	RUBBER RING	(5)
35		SD0450401SP	HINGE SCREW D= 4.5 H= 4	(5)
36		SS4110615SP	SCREW 11/64-40 L=6	(1)
37		SS7090510SP	SCREW 9/64-40 L= 4.6	(1)
38		WP0501016SD	WASHER 5X10.5X1	(1)
39		WP0460556SD	WASHER 4.6X7.5X0.5	(1)
40		B312905300	TENSION SPRING	(2)
41		22921407	ROTATION STOPPER	(2)
42		40125873	DISK RELEASE LINK BASE	1
43		SM4051001SN	SCREW M5	3
44		SS8661012TP	SCREW	1
45		22528509	FELT	1
46		RE0500000K0	E-RING	1
47		22912257	FEED REVERSE ARM ASM.	1
48		22954309	REVERSE FEED SWITCH SPRING	1
49		SM4050855SP	SCREW	1
50		40126265	DISK RELEASE LINK ASM.	1



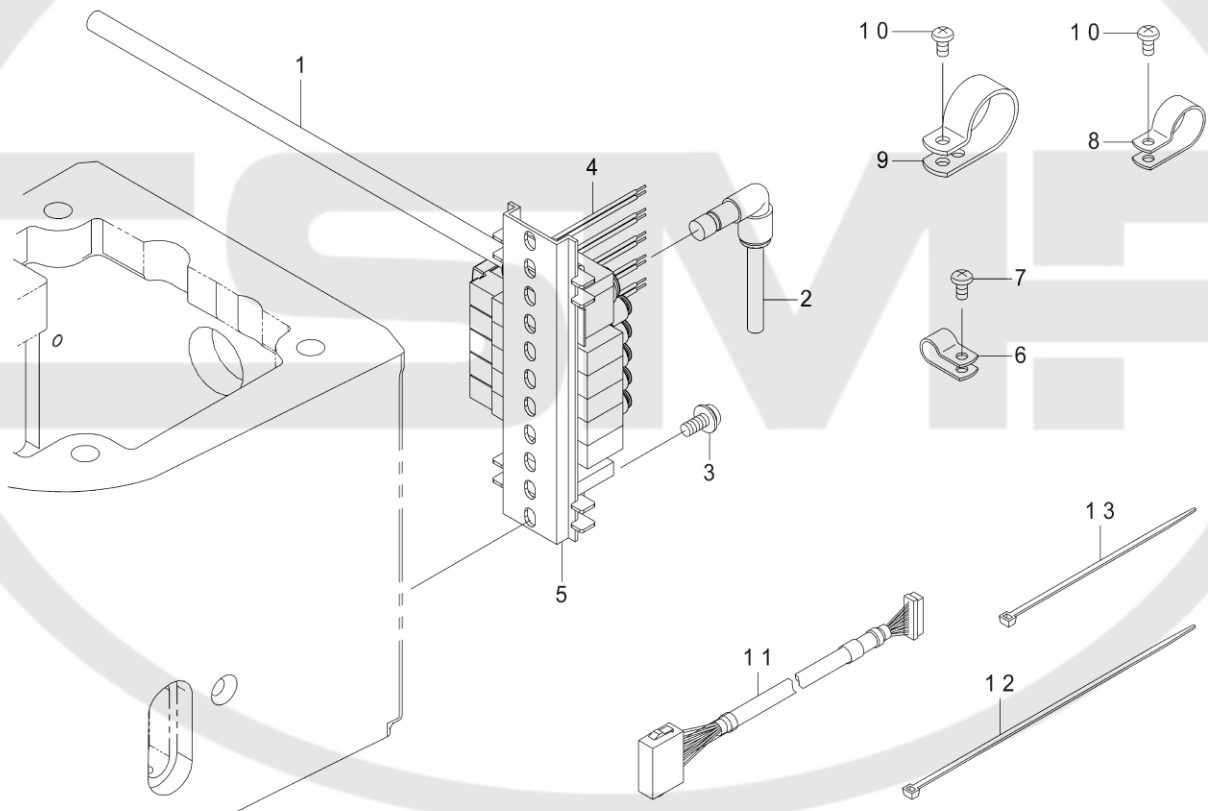
No	note	Parts No.	DESCRIPTION	Qty
1		40141153	THREAD TENSION ASM 2865	1
2		10697506	THREAD TENSION BRACKET	(1)
3		10697605	THREAD TAKE-UP SPRING STUD	(1)
4		11072402	THREAD TENSION NUT	(2)
5		11093606	THREAD TENSION SPRING	(2)
6		11957008	THREAD TENSION KNOB	(4)
7		12938304	TENSION SPRING	(2)
8		22528806	THREAD TENSION POST	(1)
9		22529408	BOBBIN THREAD GUIDE	(2)
10		22529515	BOBBIN THREAD TENSION ROD	(1)
11		22617609	THREAD TENSION POST	(1)
12		22617708	TAKE-UP SPRING GUIDE	(1)
13		22617807	NUT	(1)
14		22618201	TENSION RELEASE PIN	(2)
15		22618300	TENSION RELEASE PIN	(2)
16		22618706	THREAD TAKE-UP SPRING A	(1)
17		22618805	THREAD TAKE-UP SPRING B	(1)
18		22618904	SET SCREW	(2)
19		40112204	TENSION RELEASE LEVER	(1)
20		40112218	DISK RELEASE PLATE A	(1)
21		40112219	DISK RELEASE PLATE B	(1)
22		40131668	ASSY TENSION BASE PLATE 2865	(1)
23		40126724	TENSION DISC HOLDER	(4)
24		B3112704000	TENSION SPRING BUSHING	(2)
25		B3126012000	THREAD TENSION DISK	(8)
26		B31375270A0	TAKE-UP SPRING GUIDE ASM.	(2)
27		B3138527000	ADJUSTING PLATE B	(1)
28		B3139527000	COLLAR	(1)
29		B3141527000	PRESSER COLLAR	(1)
30		B3142527000	TAKE-UP SPRING GUIDE PLATE	(1)
31		B3143527000	TAKE-UP SPRING GUIDE STUD	(1)
32		B3214047000	BOBBIN WINDER TENSION DISC	(4)
33		NS6110310SP	HEXAGONAL NUT 11/64-40	(2)
34		RO037180100	O-RING	(5)
35		SD0450401SP	SHOULDER SCREW D=4.5 H=4	(5)
36		SS4110615SP	SCREW 11/64-40 L=6	(1)
37		SS7090510SP	SCREW 9/64-40 L= 4.6	(1)
38		WP0501016SD	WASHER 5X10.5X1	(1)
39		WP0460556SD	WASHER 4.6X7.5X0.5	(1)
40		40138484	TENSION PLATE LABEL	(1)
41		B3129053000	TENSION SPRING	(2)
42		22921407	ROTATION STOPPER	(2)
43		40126265	DISK RELEASE LINK ASM.	1
44		40125873	DISK RELEASE LINK BASE	1
45		SM4050855SP	SCREW	1
46		SS8661012TP	SCREW	1
47		22528509	FELT	1
48		RE0500000K0	E-RING	1
49		40131657	LEAF SPRING	1
50		40131658	REPOSITIONING PLATE	1
51		SS9110460CP	SCREW 11/64-40 L=4	1
52		SD0600346TP	SHOULDER SCREW	2
53		22687701	SPRING SHAFT	1
54		40131659	SPRING BASE	1
55		SM4050855SP	SCREW	2
56		RE0700000K0	E-RING 7	2
57		22687503	SPRING	2
58		40032327	ASSY REPOSITIONING ARM	1
59		40028556	REPOSITIONING ARM	1
60		SM6051202TP	SCREW M5X0.8 L=12	1
61		SD0640752TP	SHOULDER SCREW D=6.35 H=7.5	1
62		40028641	ADJUSTING SPRING	1
63		22615702	OIL ADJUSTING BALL	1
64		SM8061212TP	SCREW M6X12	1
65		NM6060001CP	NUT M6X1 TYPE1	1
66		40138477	REPOSITIONING LEVER SHAFT	1
67		40131660	ASSY REPOSITIONING LEVER	1
68		SM6050450TP	SCREW M5 L=4	1
69		SM8040412TP	SCREW M4X4	2
70	#03	40131662	RELEASE LEVER PLATE BASE	1
71	#03	SM4041401SC	SCREW M4X0.7 L=14	2
72		40131663	RELEASE LEVER PLATE	1
73		SD0800327TP	SHOULDER SCREW D=8 H=3.2	2
74		40131665	SPRING	1
75		40131664	RELEASE LEVER	1
76		40131666	RELEASE LEVER COVER	1
77		SM6040870SP	SCREW	2
78	#01	CM300400901	LABEL	1
79	#02	CM300400902	LABEL	1
80		SM4051001SN	SCREW M5	3
81	#04	40138933	RELEASE LEVER PLATE B	1
82	#04	SM6041150TP	SCREW	2
83	#04	40138934	SWICH COVER	1
84	#04	SM4040501SN	SCREW M4X0.7 L=5	2
85		WP0460326SF	WASHER 4.6X7.8X0.3	2
86		22912257	FEED REVERSE ARM ASM.	1
87		22954309	REVERSE FEED SWITCH SPRING	1



No	note	Parts No.	DESCRIPTION	Qty
1		23542418	CLUTCH LINK PIN	2
2		40125948	RELEASE SOLENOID LINK	2
3		40126283	SOLENOID LINK MOUNTING PLATE	1
4		40125949	RELEASE SOLENOID BASE	1
5		SS4090515SP	SCREW 9/64-40 L=5	2
6		32055501	AT (UPPER) SPRING	2
7		NM6030001SC	NUT M3X0.5 TYPE1	4
8		SD0550271TP	HINGE SCREW D= 5.50 H= 2.7	2
9		SM6030602TP	SCREW M3X0.5 L=6	8
10		WP0320501SE	WASHER 3.2X7.0X0.5	8
11		40130291	TENSION RELEASE SOLENOID	2
12		SM4051255SP	SCREW M5 L=12	4
13		40126563	STOPPER PLATE	2
14		40126562	RUBBER HOLDER	2
15		40086679	WIPER STOPPER RUBBER	4
16		EA9500B0100	CABLE BAND	1

1... /

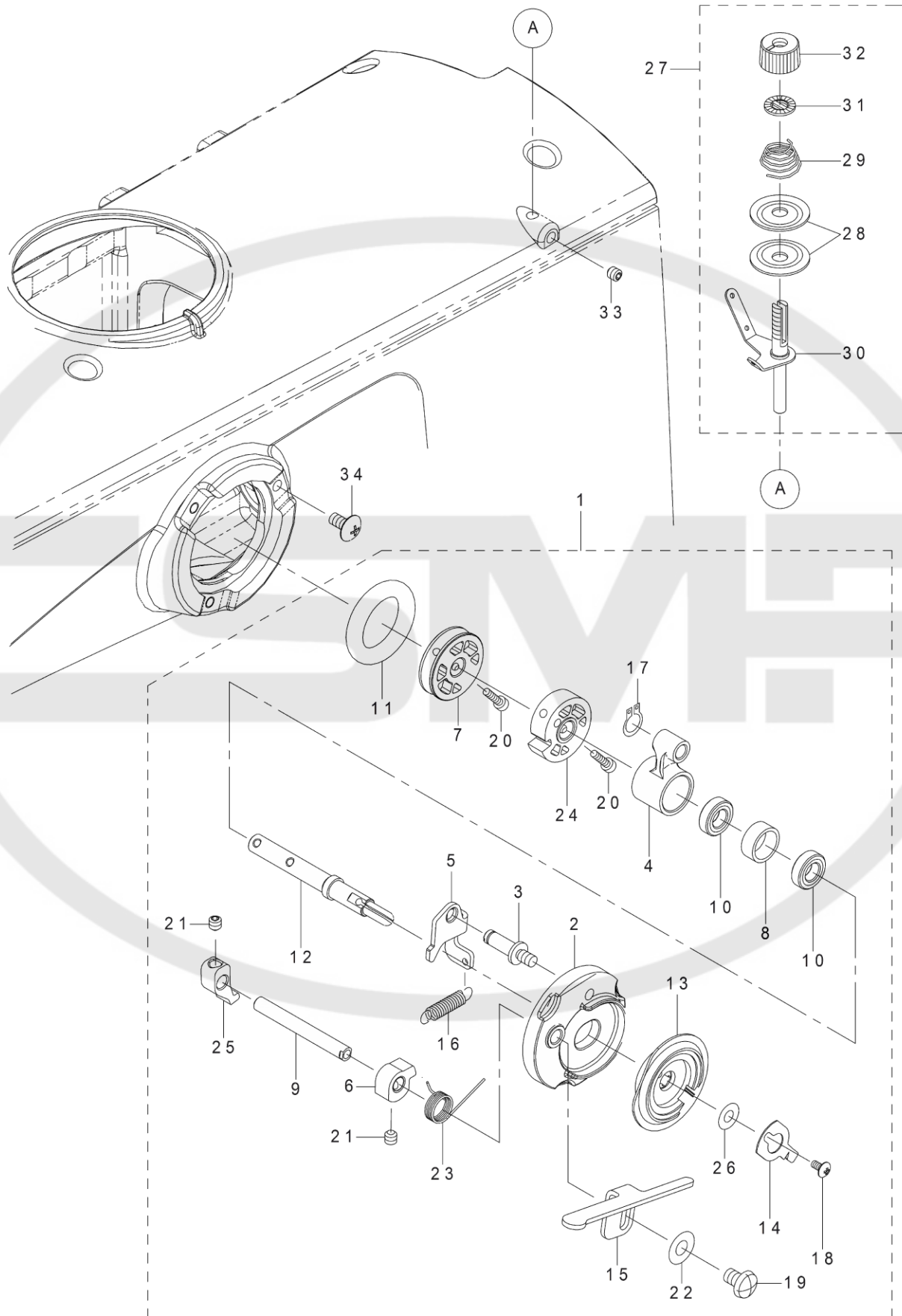




No	note	Parts No.	DESCRIPTION	Qty
1		BT0600401EB	TUBE	1.1
2		BT0800501EB	VINYL TUBE	1.1
3		SL4041091SC	SCREW M4 L=10	2
4		40130284	SOLENOID VALVE CABLE ASM.	1
5		40130283	SOLENOID VALVE ASM.	1
6		HX00150000C	CABLE CLIP	1
7		SM4040855SP	SCREW	1
8		HX00150000H	CABLE CLIP	1
9		HX00150000M	CABLE CLIP	1
10		SM4040855SP	SCREW	2
11		40126127	AIR VALVE RELAY CABLE ASM.	1
12		EA9500B0200	CABLE BAND 150	3
13		EA9500B0100	CABLE BAND	2

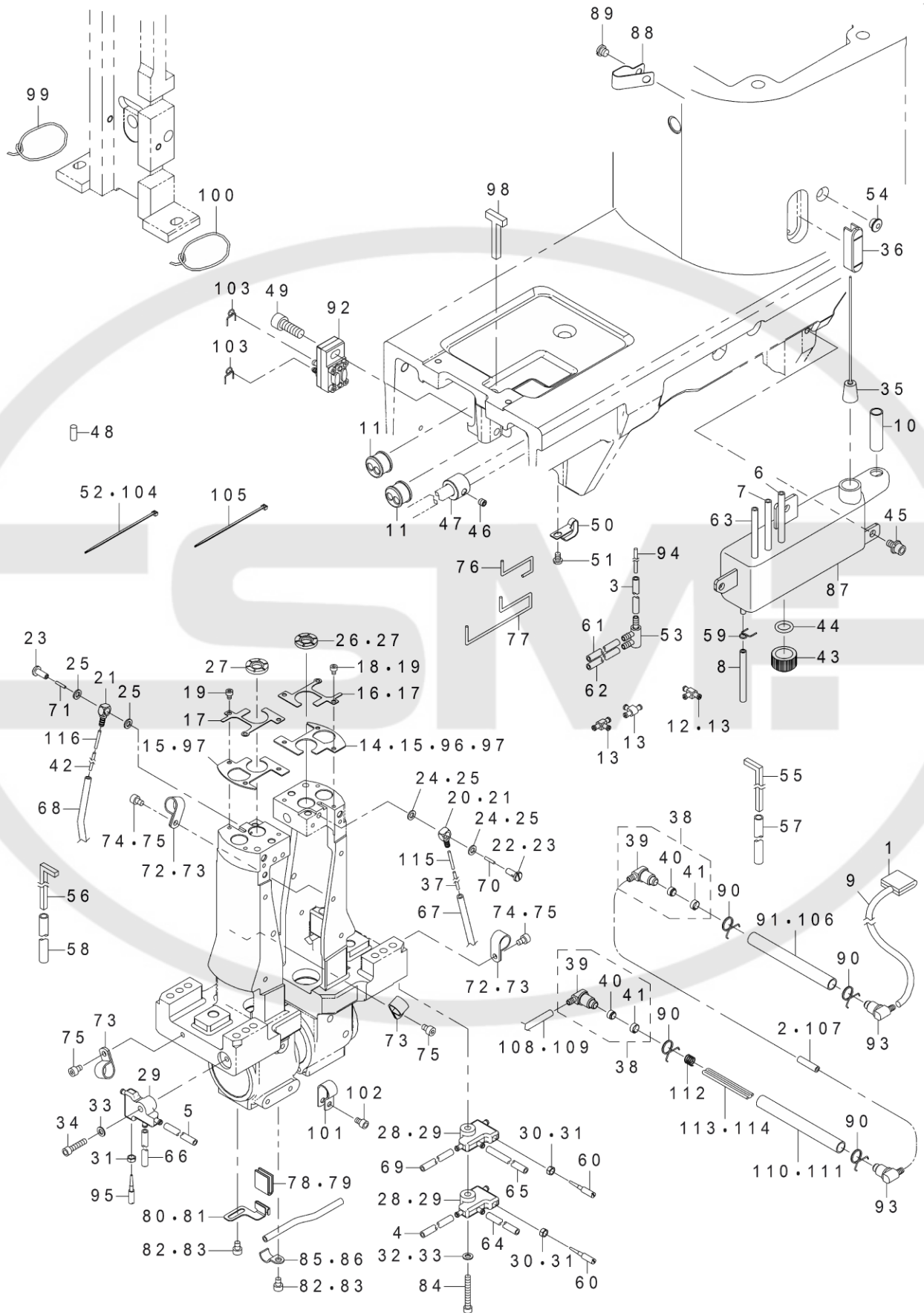
1... /





No	note	Parts No.	DESCRIPTION	Qty
1		40126355	BOBBIN WINDER UNIT	1
2		26260109	BTW BASE	(1)
3		26260307	BTW BASE SHAFT	(1)
4		26260406	BTW SHAFT BASE	(1)
5		40126594	BTW CAM PLATE	(1)
6		26260505	BTW CAM LEVER	(1)
7		40125851	WINDER WHEEL	(1)
8		26260802	BTW BEARING SPACER	(1)
9		26261008	BTW LEVER SHAFT	(1)
10		40126354	WINDER BEARING	(1)
11		26261503	BTW WHEEL RUBBER	(1)
12		40126550	BOBBIN SHAFT	(1)
13		40125927	BOBBIN BASE	(1)
14		40126311	WINDER CUTTER	(1)
15		40125947	BOBBIN LEVER	(1)
16		13718507	SPRING	(1)
17		RC0560711KP	RETAINING RING	(1)
18		SM0030601SC	SCREW M3X0.5 L=6	(1)
19		SM5040655SN	SCREW	(1)
20		SM6031202TP	SCREW M3X0.5 L=12	(1)
21		SM8050502TP	SCREW M5 L=5	(2)
22		WP0450826SC	WASHER 4.5X10X0.8	(1)
23		40126549	HELICAL TORSION COIL SPRING	(1)
24		40125928	WINDER LATCH CAM	(1)
25		40125844	WINDER LATCH B	(1)
26		WP0320501SC	WASHER M3	(1)
27		40088958	BOBBIN THREAD TENSION ASM.	1
28		22921506	THREAD TENSION DISK	(1)
29		22921704	THREAD TENSION SPRING A	(1)
30		40088959	BOBBIN THREAD TENSION ROD ASM.	(1)
31		22921407	ROTATION STOPPER	(1)
32		22921308	THREAD TENSION NUT	(1)
33		SM8051002TP	SCREW M5 L=10	1
34		SM0051001SC	SCREW	3

1... /

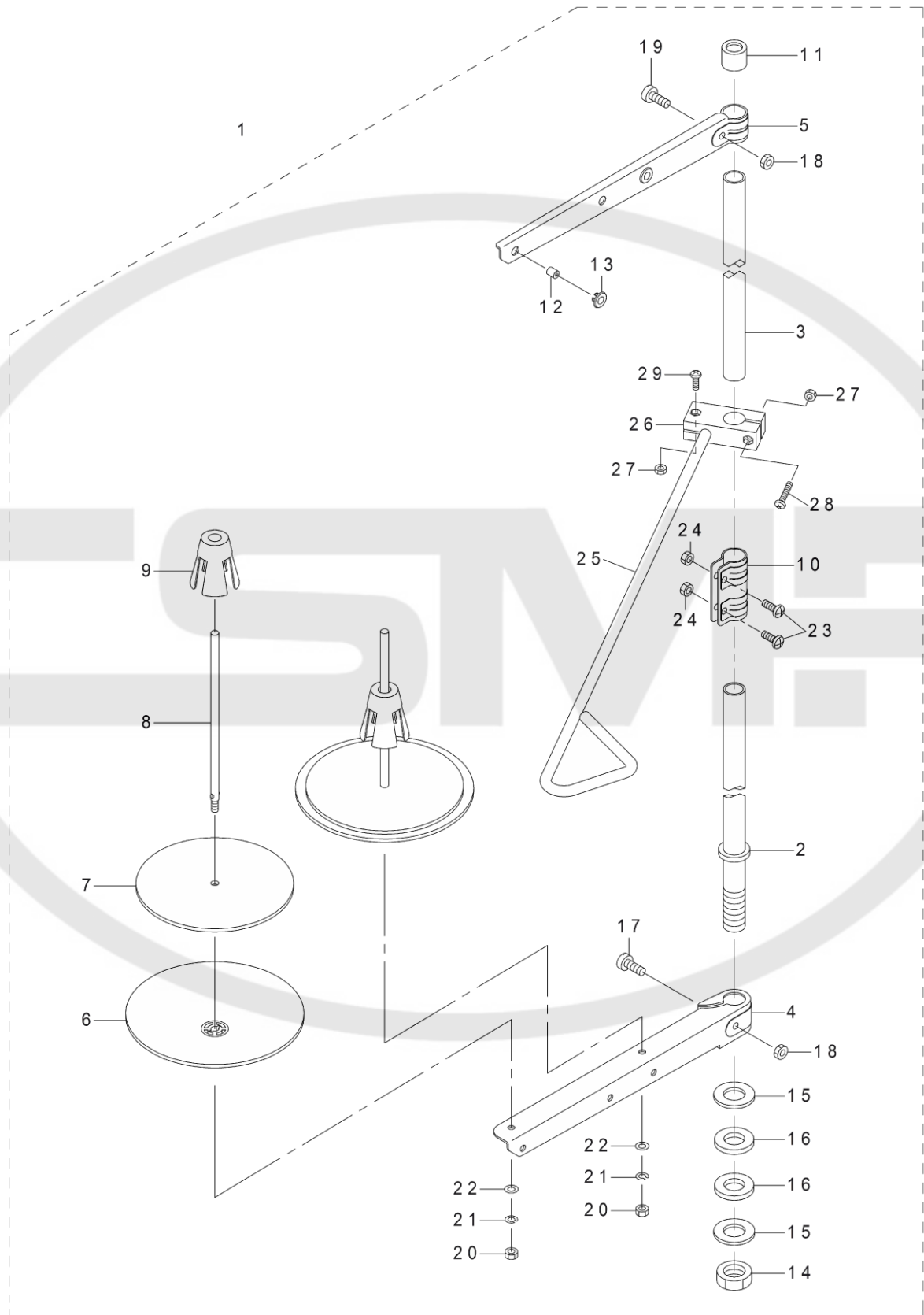


No	note	Parts No.	DESCRIPTION	Qty
1		40112320	FELT	1
2		23630007	TUBE	0.04
3		23630007	TUBE	0.04
4		23630007	TUBE	0.025
5		23630007	TUBE	0.2
6		23630007	TUBE	1.15
7		23630007	TUBE	0.35
8		23630007	TUBE	0.02
9		23630007	TUBE	0.36
10		23630106	TUBE B	0.32
11		22935308	MAGNET CORD RUBBER	2
12	#01	13765607	OIL CONNec. ARM	1
13	#02	13765607	OIL CONNec. ARM	3
14	#04	40130038	FELT	1
15	#06	40130038	FELT	2
16	#01	40130039	FELT HOLDER	1
17	#02	40130039	FELT HOLDER	2
18	#01	SM6030402TP	SCREW M3X0.5 L=4	3
19	#02	SM6030402TP	SCREW M3X0.5 L=4	6
20	#01	SQ0000401MZ	CONNECTING SCREW	1
21	#02	SQ0000401MZ	CONNECTING SCREW	2
22	#01	B3525357000	CONNECTING SCREW (B)	1
23	#02	B3525357000	CONNECTING SCREW (B)	2
24	#01	B3534012000	GASKET	2
25	#02	B3534012000	GASKET	4
26	#01	40130037	GROOVE WASHER	1
27	#02	40130037	GROOVE WASHER	2
28	#01	40032804	BASE	2
29	#02	40032804	BASE	3
30	#01	NS6110310SP	HEXAGONAL NUT 11/64-40	2
31	#02	NS6110310SP	HEXAGONAL NUT 11/64-40	3
32	#01	WP0430800SD	WASHER M4	1
33	#02	WP0430800SD	WASHER M4	2
34	#02	SM6041802TP	SCREW M4 L=18	1
35		23628357	FLOATER ASM.	1
36		40036167	OIL GAGE	1
37		CQ200000000	OIL WICK	0.27
38		23630650	OIL FILTER JOINT ASM.	2
39		23630601	OIL FILTER JOINT	(1)
40		23630403	OIL FILTER	(1)
41		23630502	OIL FILTER STOPPER	(1)
42	#02	CQ200000000	OIL WICK	0.27
43		40013595	OIL EXIT CAP	1
44		RO098240100	O-RING	1
45		SL6051092TN	SCREW M5 L=10	3
46		SM8050512TP	SCREW	1
47		40101721	ECCENTRIC CAM	1
48	#01	23540305	CAP	1
49		SM6061802TP	SCREW M6 L=18	1
50		40022407	CORD HOLDER	1
51		SM4040655SP	SCREW M4 L=6	1
52	#01	EA9500B0100	CABLE BAND	4
53		23629504	DISTRIBUTOR	1
54		40126582	RUBBER PLUG	1
55	#01	10773000	FELT	1
56	#02	10773000	FELT	2
57		BP500000000	VINYL PIPE	0.2
58	#02	BP500000000	VINYL PIPE	0.2
59		13142609	OIL TUBE HOLDER	1
60		B1834512000A	OIL ADJUSTING SCREW	2
61		23630007	TUBE	0.12
62		23630007	TUBE	0.14
63		23630007	TUBE	0.35
64	#02	23630007	TUBE	0.08
65	#02	23630007	TUBE	0.09
66	#02	23630007	TUBE	0.25
67		23630007	TUBE	0.3
68	#02	23630007	TUBE	0.3
69	#02	23630007	TUBE	0.26
70		CQ202000000	COTTON OIL WICK D=2	0.08
71	#02	CQ202000000	COTTON OIL WICK D=2	0.012
72	#01	HX00150000D	CABLE CLAMP	2
73	#02	HX00150000D	CABLE CLAMP	4
74	#01	SM6040602TP	SCREW M4X0.7 L=6	2
75	#02	SM6040602TP	SCREW M4X0.7 L=6	4
76	#01	CQ202000000	COTTON OIL WICK D=2	0.08
77	#02	CQ202000000	COTTON OIL WICK D=2	0.48
78	#01	40133762	VILENE	1
79	#02	40133762	VILENE	2
80	#01	40133595	VILENE HOLDER	1
81	#02	40133595	VILENE HOLDER	2
82	#01	SM6040602TP	SCREW M4X0.7 L=6	3
83	#02	SM6040602TP	SCREW M4X0.7 L=6	6
84		SM6043002TN	SCREW	1
85	#01	D2611555B00	CABLE HOLDER	1
86	#02	D2611555B00	CABLE HOLDER	2
87		40133922	OIL TANK	1
88		D2112555B00	CORD HOLDER	1
89		SM6060550TP	SCREW M6 L=4.5	1
90		23629405	PIPE STOPPER B	8

No	note	Parts No.	DESCRIPTION	Qty
91		23630106	TUBE B	0.03
92		40101719	PUMP BASE ASSY	1
93		23630601	OIL FILTER JOINT	6
94		CQ252000000	OIL WICK	0.025
95	#02	B1834512000A	OIL ADJUSTING SCREW	1
96	#03	40137885	FELT	1
97	#05	40137885	FELT	2
98		40137517	FELT	1
99		CQ200000000	OIL WICK	0.1
100		CQ200000000	OIL WICK	0.1
101	#05	HX00150000D	CABLE CLIP	1
102	#05	SM6040602TP	SCREW M4 L=6	1
103		23629306	PIPE STOPPER A	2
104	#02	EA9500B0100	CABLE BAND	5
105		EA9500B0200	CABLE BAND 150	3
106		23630106	TUBE B	0.03
107		23630007	TUBE	0.05
108		23630007	TUBE	0.1
109		23630007	TUBE	0.1
110		23630106	TUBE B	0.09
111		23630106	TUBE B	0.09
112		12210803	SPRING	2
113		CQ300000000	OIL WICK	0.26
114		CQ300000000	OIL WICK	0.26
115		12316907	OIL WICK (VERTICAL C)	1
116	#02	12316907	OIL WICK (VERTICAL C)	1

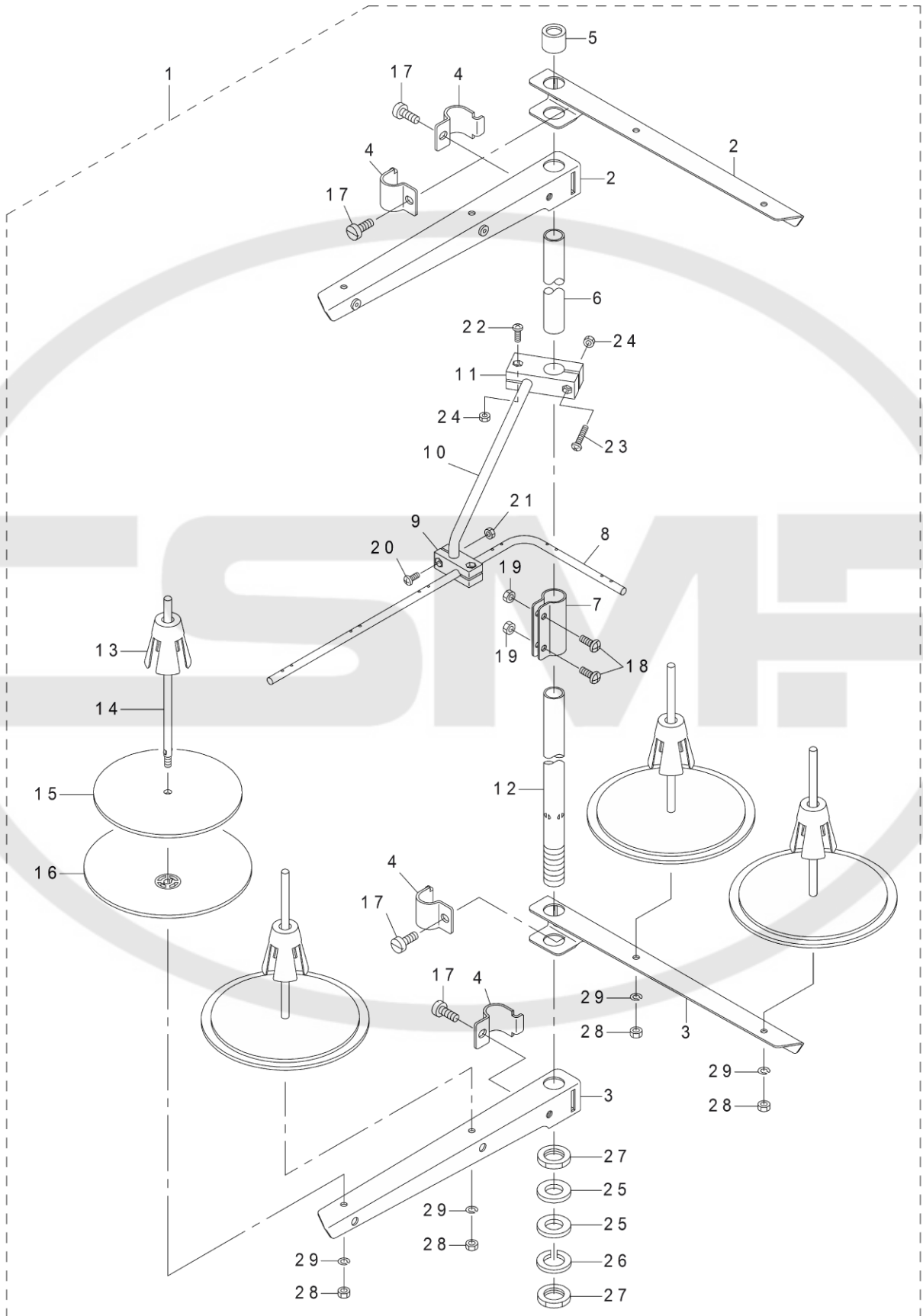
1...#01FOR PLC-2710-7/2760-7 / 2...#02FOR PLC-2710/2710-7 / 3...#03FOR PLC-2710/2760/2765/2760L / 4...#04FOR PLC-2760/2760-7/2760L/2765 / 5...#05FOR PLC-2760L / 6...#06FOR PLC-2710/2760/2760L / 7...#07FOR PLC-2710-7/2760-7/2765 / 8... / 1...#01FOR PLC-2710-7/2760-7 / 2...#02FOR PLC-2710/2710-7 / 3...#03FOR PLC-2710/2760/2765/2760L / 4...#04FOR PLC-2760/2760-7/2760L/2765 / 5...#05FOR PLC-2760L / 6...#06FOR PLC-2710/2760/2760L / 7...#07FOR PLC-2710-7/2760-7/2765 / 8... / 1...#01FOR PLC-2710-7/2760-7 / 2...#02FOR PLC-2710/2760/2765/2760L / 3...#03FOR PLC-2760L / 4...#04FOR PLC-2765 / 5...#05FOR PLC-2710/2710-7/2760/2760-7/2760L / 6...#06FOR PLC-2710/2710-7/2760/2760-7/2765 / 7... / 1...#01FOR PLC-2710/2710-7 / 2...#02FOR PLC-2760/2760-7 / 3...#03SELECTIVE PARTS / 4...#04FOR PLC-2760L / 5...#05FOR PLC-2760/2760-7/2760L / 6... / 1...#01SELECTIVE PARTS / 2... / 1...#01FOR PLC-2710/2710-7 / 2...#02FOR PLC-2760/2760-7/2760L/2765 / 3...#03SELECTIVE





No	note	Parts No.	DESCRIPTION	Qty
1		40111351	THREAD STAND ASM.	1
2		40085784	SPOOL REST ROD LOWER	(1)
3		40085785	SPOOL REST ROD UPPER	(1)
4		40085786	SPOOL REST ARM LOWER	(1)
5		40085787	SPOOL REST ARM UPPER	(1)
6		40085788	SPOOL REST	(2)
7		40085789	SPOOL REST CUSHION	(2)
8		40085790	SPOOL PIN	(2)
9		40085791	SPOOL RETAINER	(2)
10		40085792	SPOOL REST ROD JOINT	(1)
11		40085793	SPOOL REST ROD RUBBER CAP	(1)
12		40085794	THREAD GUIDE	(2)
13		40085795	THREAD GUIDE BUSHING	(2)
14		40096325	SPOOL REST ROD NUT	(1)
15		WP1612616SE	WASHER 16X30X2.6	(2)
16		40085796	SPOOL REST ROD RUBBER CUSHION	(2)
17		40096326	SPOOL REST ARM LOWER SCREW	(1)
18		NM6050001SE	NUT M5	(2)
19		40096327	SPOOL REST ARM UPPER SCREW	(1)
20		NM6050001SE	NUT M5	(2)
21		WS0510002KN	SPRING WASHER M5	(2)
22		WP0531001SC	WASHER M5	(2)
23		SM4051405SE	SCREW M5 L=14	(2)
24		NM6050001SE	NUT M5	(2)
25		40111350	SPOOL REST THREAD GUIDE B	(1)
26		40106579	THREAD GUIDE ARM BASE	(1)
27		NM6040002SC	NUT M4	(2)
28		SM4042501SC	SCREW M4X0.7 L=25	(1)
29		SM4041201SC	SCREW M4 L=12	(1)

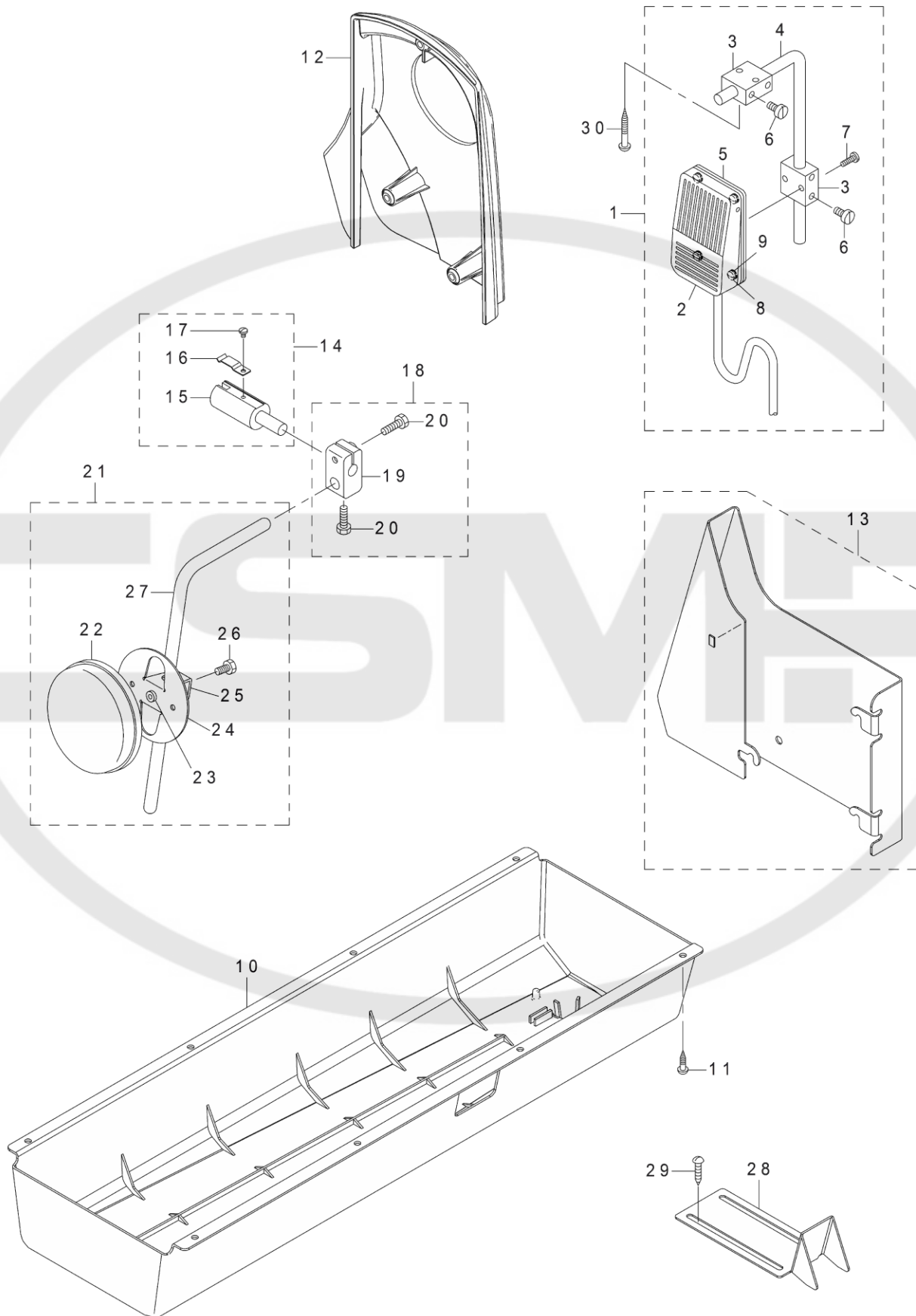
1... /



No	note	Parts No.	DESCRIPTION	Qty
1		13167556	THREAD STANDING DEVICE ASM.	1
2		22930556	SPOOL REST ARM ASM.	(2)
3		22930507	SPOOL REST ARM	(2)
4		22930705	THREAD GUIDE ARM JOINT	(4)
5		22931406	THREAD STANDING ROD RUBBER CAP	(1)
6		22930408	THREAD STANDING ROD UPPER	(1)
7		22931307	THREAD STANDING ROD JOINT	(1)
8		13167903	THREAD STANDING THREAD GUIDE	(1)
9		13168000	THREAD STANDING GUIDE BASE	(1)
10		13168109	THREAD STANDING GUIDE ARM	(1)
11		13168208	THREAD STANDING GUIDE ARM BASE	(1)
12		22930309	THREAD STANDING ROD LOWER	(1)
13		22931109	SPOOL RETAINER	(4)
14		22931000	SPOOL PIN	(4)
15		22930903	SPOOL REST CUSHION	(4)
16		22930804	SPOOL REST	(4)
17		SM6061610SC	SCREW M6 L=16	(4)
18		SM4051405SE	SCREW M5 L=14	(2)
19		NM6050001SE	NUT M5	(2)
20		SM4041001SC	SCREW M4X0.7 L=10	(2)
21		NM6040002SE	NUT M4X0.7	(2)
22		SM4041201SC	SCREW M4 L=12	(1)
23		SM4042001SC	SCREW M4 X 20	(1)
24		NM6040002SE	NUT M4X0.7	(2)
25		WP1612616SE	WASHER 16X30X2.6	(2)
26		WS1643202KR	SPRING WASHER	(1)
27		NM6160511SE	NUT M16X1.5	(2)
28		NM6050001SE	NUT M5	(4)
29		WS0510002KN	SPRING WASHER	(4)

1... /

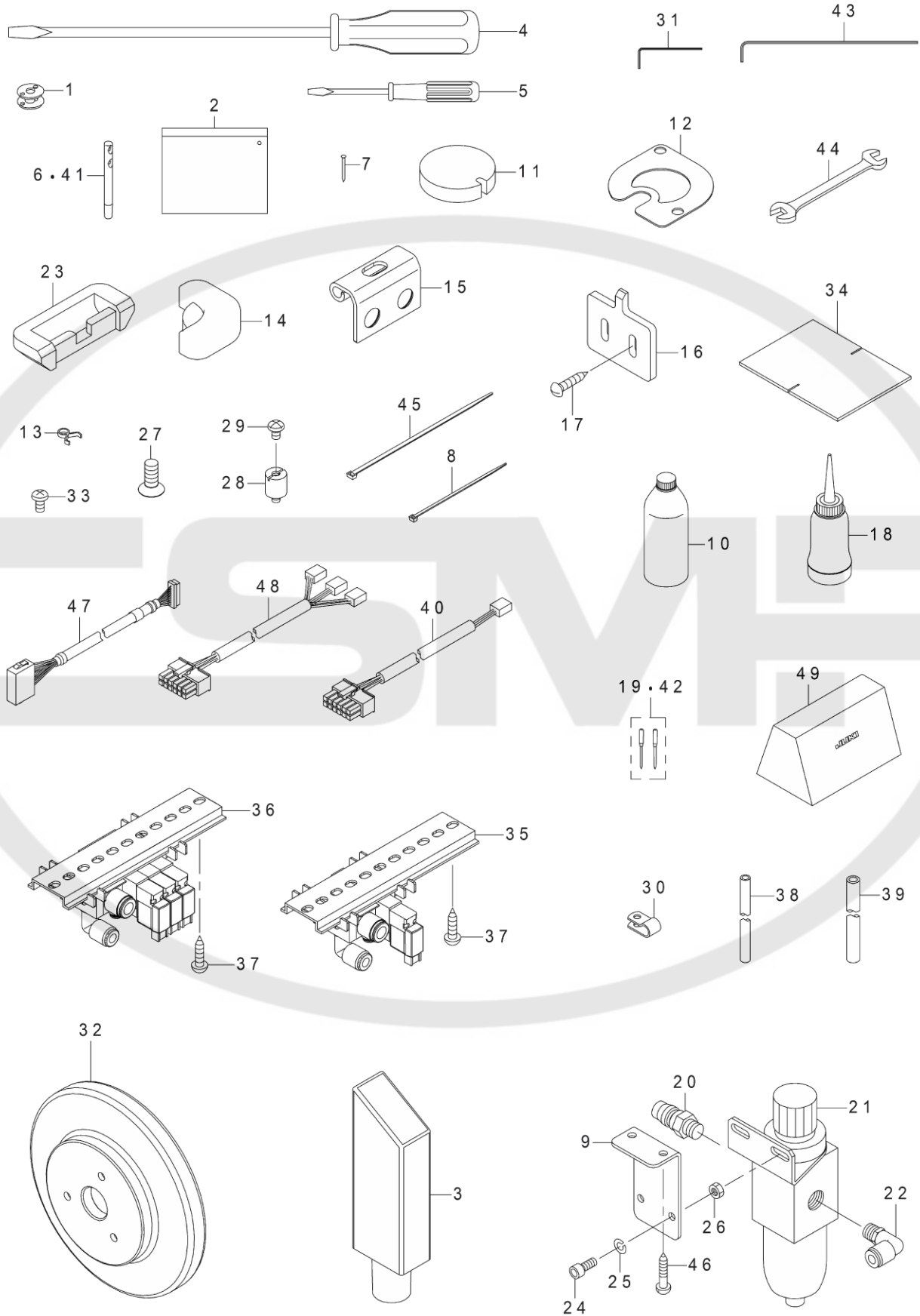




No	note	Parts No.	DESCRIPTION	Qty
1	#02	40025036	KNEE SWITCH ASM.	1
2		40025035	KNEE SWITCH ASM.	(1)
3		MAT80230T00	KNEE SWITCH SUPPORT BASE	(2)
4		MAT80231T00	DRIVING BAR T002	(1)
5		MAT80232T00	KNEE SWITCH SUPPORT PLATE	(1)
6		SS6151220SP	SCREW 15/64-28 L=11.5	(4)
7		SS7111410SP	SCREW 11/64-40 L=14	(2)
8		SS7110710SL	SCREW 11/64-40 L=7.0	(4)
9		WP0480856SP	WASHER 4.8X8.4X0.8	(4)
10		40126155	OIL PAN	1
11		SK3482001SE	WOOD SCREW D=4.8 L=20	8
12	#01	40139001	BELT COVER ASM.	1
13	#01	40135153	POST COVER ASM.	1
14	#01	22863252	KNEE LIFTER JOINT ASM.	1
15		22863203	KNEE LIFTER JOINT	(1)
16		B3428521000	PRESSER SPRING	(1)
17		SS7090510SP	SCREW 9/64-40 L= 4.6	(1)
18	#01	22932453	BRACKET ASM.	1
19		22932404	BRACKET	(1)
20		22934707	SCREW	(2)
21	#01	21343157	KNEE PRESS PLATE ASM.	1
22		22934509	KNEE PAD PLATE COVER	(1)
23		22934400	KNEE PAD PLATE RUBBER	(1)
24		22934202	KNEE PAD PLATE	(1)
25		22934301	KNEE PAD PLATE SUPPORT	(1)
26		SM9061203SE	SCREW M6 L=12	(1)
27		21343108	KNEE PRESS LEVER	(1)
28	#01	40130909	POST COVER B	1
29	#01	SK3482500SC	WOOD SCREW D=4.8 L=25	2
30	#02	SK3514000SC	WOOD SCREW D=5.1 L=40	2


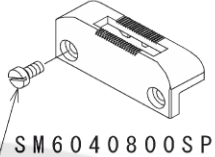
1...#01FOR PLC-2710/2760/2760L/2765 / 2...#02FOR PLC-2710-7/2760-7 / 3... /



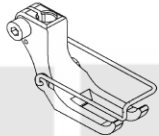


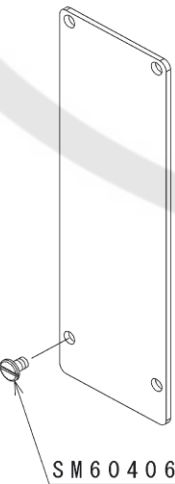
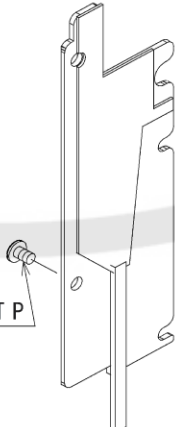
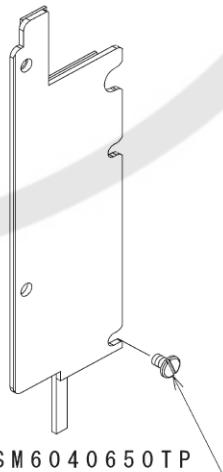


No	note	Parts No.	DESCRIPTION	Qty
1		21334800	ALUMINUM BOBBIN WITH KNURL	1
2		22932800	ACCESSORIE BAG	1
3		40133301	FRAME SUPPORT BAR	1
4		22933105	SCREW DRIVER MIDDLE	1
5		22933204	SCREW DRIVER SMALL	1
6	#07	22958300	NEEDLE THREAD GUIDE PIN	1
7		10539906	SET NAIL	12
8	#05	EA9500B0100	CABLE BAND	2
9	#02	13860408	REGULATOR BRACKET	1
10		MDFRX1600C0	DEFRIX OIL NO.1(600CC)	1
11		40126405	OIL FILTER	1
12		40126267	FELT HOLDER	1
13		23629306	PIPE STOPPER A	2
14		40126152	CUSHION RUBBER	2
15		40131015	HINGE	2
16		40131014	HINGE STOPPER	2
17		SK3482500SC	WOOD SCREW D=4.8 L=25	4
18		B91210120A0	OILER ASM.	1
19		M13517B1402	NEEDLE 135X17 #140-2	1
20	#02	PJ025100003	PLUG	1
21	#02	PF055107000	FILTER REGULATOR	1
22	#02	PJ304065101	ELBOW UNION 6XPT1/8	1
23		22926000	RUBBER CUSHION	2
24	#02	SM6051202TP	SCREW M5X0.8 L=12	2
25	#02	WS0510002KN	SPRING WASHER M5	2
26	#02	NM6050001SP	NUT M5	2
27		B1516210D00	SCREW	4
28	#09	40126222	CP SPACER	2
29	#09	SM4050855SP	SCREW	2
30	#09	HX00150000B	CABLE CLIP	1
31		40079298	WRENCH	1
32	#01	40026457	HAND WHEEL B	1
33	#01	SM4051055SP	SCREW	9
34		40133730	OIL FILTER	1
35	#03	40133982	SOLENOID VALVE ASM.	1
36	#04	40133978	SOLENOID VALVE ASM.	1
37	#05	SK3482001SE	WOOD SCREW D=4.8 L=20	2
38	#05	BT0600401EB	TUBE	1.1
39	#05	BT0800501EB	VINYL TUBE	1.1
40	#03	40133983	SOLENOID VALVE CABLE ASM.	1
41	#08	22958300	NEEDLE THREAD GUIDE PIN	2
42	#06	M13517B2002	NEEDLE 135X17 #200-2	1
43		10777407	WRENCH 2.5MM	1
44		B9113012000	WRENCH (9X10)	1
45	#05	EA9500B0200	CABLE BAND 150	3
46	#02	SK3482001SE	WOOD SCREW D=4.8 L=20	2
47	#05	40133985	AIR VALVE RELAY CABLE ASM.	1
48	#04	40133979	SOLENOID VALVE CABLE ASM.	1
49		40027770	VINYL COVER	1

1...#01FOR PLC-2710/2760 / 2...#02FOR PLC-2710-7/2760-7/2710(WITH AK)/2760(WITH AK/BT/DL)/2760L(WITH AK/BT/DL)/2765(WITH AK/BT/DL) / 3...#03FOR PLC-2710(WITH AK)/2760(WITH AK)/2760L(WITH AK)/2765(WITH AK) / 4...#04FOR PLC-2710(WITH AK/BT/DL)/2760(WITH AK/BT/DL)/2760L(WITH AK/BT/DL)/2765(WITH AK/BT/DL) / 5...#05FOR PLC-2710(WITH AK)/2710(WITH AK/BT/DL)/2760(WITH AK)/2760L(WITH AK)/2765(WITH AK)/2760(WITH AK/BT/DL)/2760L(WITH AK/BT/DL)/2765(WITH AK/BT/DL) / 6...#06FOR PLC-2760L / 7...#07FOR PLC-2710/2710-7 / 8...#08FOR PLC-2760/2760-7/2760L/2765 / 9...#09FOR PLC-2710-7/2760-7 / 10... /

Needle bar threas guide 針棒糸掛け		Needle plate 針板			
		PLC-2710		PLC-2710-7	
		 SM6040800SP			
Ref. No.	1	Ref. No.	2	Ref. No.	3
Part No.	B1418-141-H00	Part No.	401-30068	Part No.	401-30067

Feed dog 送り歯		Feed foot asm. 送り足(組)		Presser foot asm. 押え足(組)	
 SS6110480SP					
Ref. No.	4	Ref. No.	5	Ref. No.	6
Part No.	401-30061	Part No.	107-11653	Part No.	107-12552

Feed lever base cover 送りでこ台カバー		Feed lever base cover F asm. 側面カバーF(組)		Feed lever base cover A asm. 側面カバーA(組)	
 SM6040650TP		 SM6040650TP		 SM6040650TP	
Ref. No.	7	Ref. No.	8	Ref. No.	9
Part No.	401-29979	Part No.	401-34098	Part No.	401-34097

No	note	Parts No.	DESCRIPTION	Qty
1		B1418141H00	NEEDLE BAR THREAD GUIDE	1
2	#01	40130068	NEEDLE PLATE	1
3	#02	40130067	NEEDLE PLATE	1
4		40130061	FEED DOG	1
5		10711653	FEED FOOT ASM.	1
6		10712552	PRESSER FOOT ASM.	1
7		40129979	FEED LEVER BASE COVER	1
8		40134098	FEED LEVER BASE COVER F ASM.	1
9		40134097	FEED LEVER BASE COVER A ASM.	1

1...#01FOR PLC-2710 / 2...#02FOR PLC-2710-7 / 3... /



Needle gauge size 針幅		Throat plate 針板							
Code コード		PLC-2760		PLC-2760-7		PLC-2760L		PLC-2765	
		SM1040950TP 							
		mm	Ref No.	Part No.	Ref No.	Part No.	Ref No.	Part No.	Ref No.
B	6	1	401-31017	5	401-30927	-	-	-	-
C	8	2	401-31016	6	401-30908	-	-	10	401-31016
D	10	3	401-30065	7	401-30064	9	401-30066	11	401-30065
E	12	4	401-31018	8	401-30928	-	-	-	-

Needle gauge size 針幅		Feed dog 送り歯					
Code コード		PLC-2760・2760-7		PLC-2760L		PLC-2765	
		SS9110543CP 					
		mm	Ref No.	Part No.	Ref No.	Part No.	Ref No.
B	6	12	401-30925	-	-	-	-
C	8	13	401-30907	-	-	17	401-30907
D	10	14	401-30062	16	401-30063	18	401-30062
E	12	15	401-30926	-	-	-	-

Needle gauge size 針幅		Needle clamp asm. 針留め(組)		Needle clamp asm. Left 針留め(組)左		Needle clamp asm. Right 針留め(組)右	
Code コード		SM6030602TP 		PLC-2765			
				 B1425526000		 B1425526000	
		mm	Ref No.	Part No.	Ref No.	Part No.	Ref No.
B	6	19	400-38778	-	-	-	-
C	8	20	400-38776	23	400-62043	25	400-62041
D	10	21	400-38774	24	230-23856	26	230-21355
E	12	22	400-38772	-	-	-	-

Needle gauge size 針幅		Feed foot for guide asm. ガイド用送り足(組)					
Code コード		PLC-2760・2760-7		PLC-2760L		PLC-2765	
		mm	Ref No.	Part No.	Ref No.	Part No.	Ref No.
B	6	27	400-38854	-	-	-	-
C	8	28	400-38852	-	-	32	400-38852
D	10	29	400-38850	31	400-39271	33	400-38850
E	12	30	400-38848	-	-	-	-

No	note	Parts No.	DESCRIPTION	Qty
1	#01	40131017	NEEDLE PLATE 6MM 60	1
2	#01	40131016	NEEDLE PLATE 8MM 60	1
3	#01	40130065	NEEDLE PLATE	1
4	#01	40131018	NEEDLE PLATE 12MM 60	1
5	#02	40130927	NEEDLE PLATE 6MM 60 7	1
6	#02	40130908	NEEDLE PLATE 8MM 60 7	1
7	#02	40130064	NEEDLE PLATE	1
8	#02	40130928	NEEDLE PLATE 12MM 60 7	1
9	#03	40130066	NEEDLE PLATE	1
10	#04	40131016	NEEDLE PLATE 8MM 60	1
11	#04	40130065	NEEDLE PLATE	1
12		40130925	FEED DOG 6MM	1
13		40130907	FEED DOG 8MM	1
14		40130062	FEED DOG 10MM	1
15		40130926	FEED DOG 12MM	1
16	#03	40130063	FEED DOG 10MM 60L	1
17	#04	40130907	FEED DOG 8MM	1
18	#04	40130062	FEED DOG 10MM	1
19		40038778	NEEDLE CLAMP(6MM)ASM.	1
20		40038776	NEEDLE CLAMP(8MM)ASM.	1
21		40038774	NEEDLE CLAMP(10MM)ASM.	1
22		40038772	NEEDLE CLAMP(12MM)ASM.	1
23	#04	40062043	NEEDLE CLAMP (L) 8MM ASM.	1
24	#04	23023856	NEEDLE CLAMP LEFT ASM.10MM	1
25	#04	40062041	NEEDLE CLAMP (R) 8MM ASM.	1
26	#04	23021355	NEEDLE CLAMP RIGHT ASM.10MM	1
27		40038854	FEED FOOT FOR GUIDE(6MM)ASM.	1
28		40038852	FEED FOOT FOR GUIDE(8MM)ASM.	1
29		40038850	FEED FOOT FOR GUIDE(10MM)ASM.	1
30		40038848	FEED FOOT FOR GUIDE(12MM)ASM.	1
31	#03	40039271	FEED FOOT FOR GUIDE(10MM 60L)ASM.	1
32	#04	40038852	FEED FOOT FOR GUIDE(8MM)ASM.	1
33	#04	40038850	FEED FOOT FOR GUIDE(10MM)ASM.	1

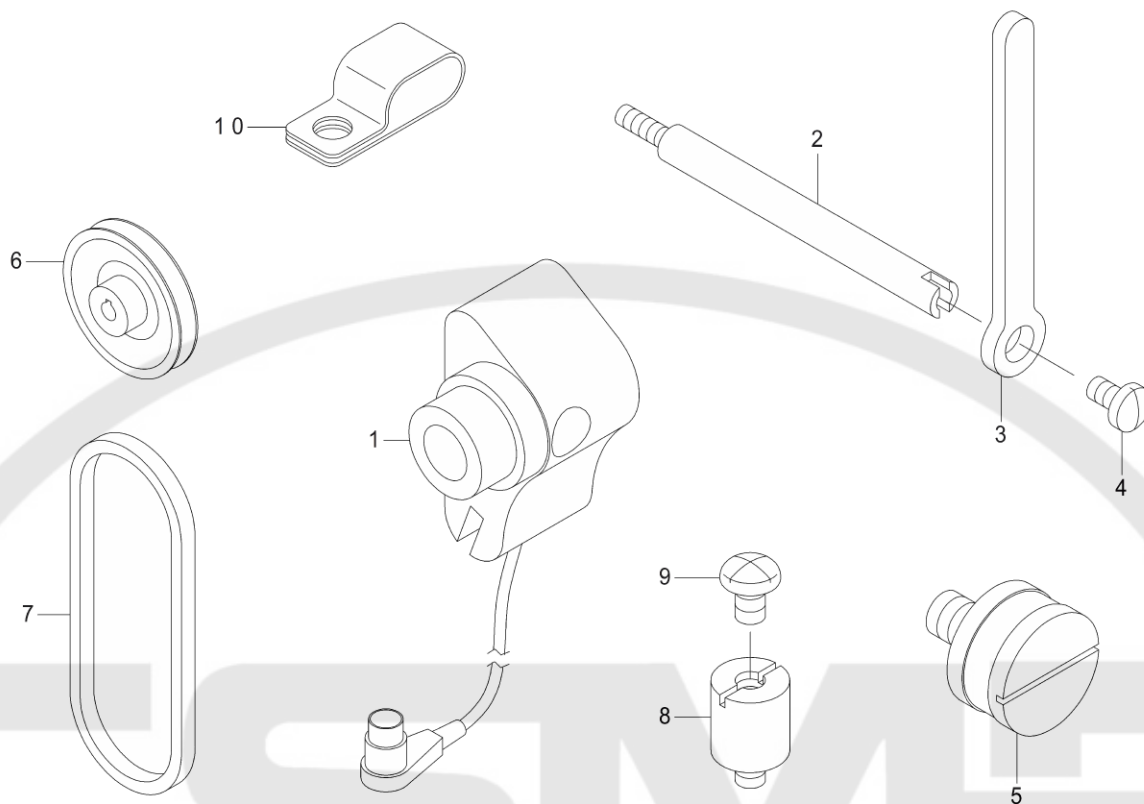
1...#01FOR PLC-2760 / 2...#02FOR PLC-2760-7 / 3...#03FOR PLC-2760L / 4...#04FOR PLC-2765 / 5... /



No	note	Parts No.	DESCRIPTION	Qty
1		40038810	PRESSER FOOT WITH GUIDE(6MM)ASM.	1
2		40038808	PRESSER FOOT WITH GUIDE(8MM)ASM.	1
3		40038806	PRESSER FOOT WITH GUIDE(10MM)ASM.	1
4		40038802	PRESSER FOOT WITH GUIDE(12MM)ASM.	1
5	#01	40038806	PRESSER FOOT WITH GUIDE(10MM)ASM.	1
6		40134017	FEED LEVER BASE COVER C 6MM	1
7		40134018	FEED LEVER BASE COVER D 8MM	1
8		40134019	FEED LEVER BASE COVER B 10MM	1
9		40134020	FEED LEVER BASE COVER E 12MM	1
10	#01	40134019	FEED LEVER BASE COVER 10MM ASM.	1
11	#02	40038808	PRESSER FOOT WITH GUIDE(8MM)ASM.	1
12	#02	40038806	PRESSER FOOT WITH GUIDE(10MM)ASM.	1
13	#02	40134018	FEED LEVER BASE COVER D 8MM	1
14	#02	40134019	FEED LEVER BASE COVER B 10MM	1

1...#01FOR PLC-2760L / 2...#02FOR PLC-2765 / 3... /

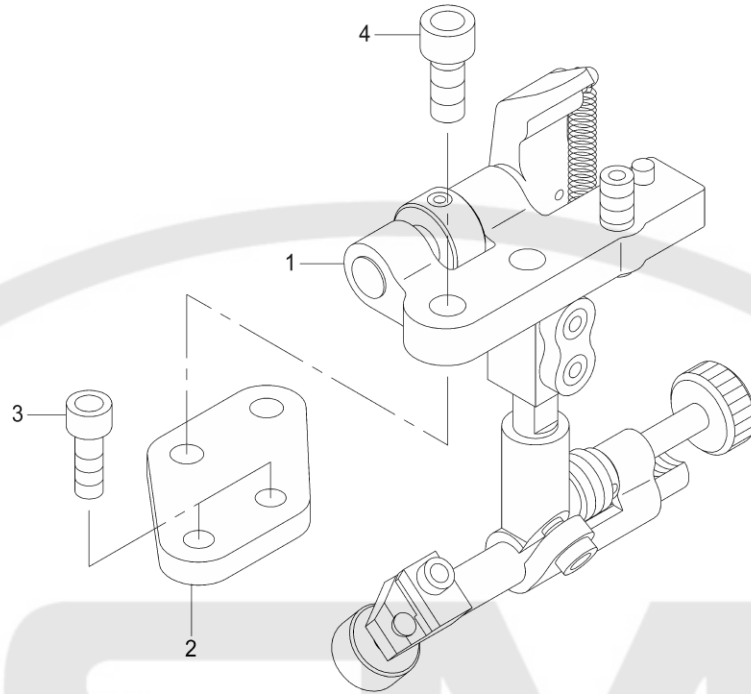




No	note	Parts No.	DESCRIPTION	Qty
1		40026920	SYNCHRONIZER ASM.	1
2		40135507	SYNCHRONIZER HOLD STUD	1
3		40135506	SYNCHRONIZER HOLD PLATE	1
4		SM4061201SC	SCREW M6 L=12	1
5		22622401	SYNCRO FRNGE	1
6		MTSP00700B0	MOTOR PULLEY ASM. P.C.D 70	1
7		MTJVH00540A	V BELT 54 INCH	1
8		40126222	CP SPACER	2
9		SM4050855SP	SCREW	2
10		D2112555B00	CORD HOLDER LARGE	1

1... /

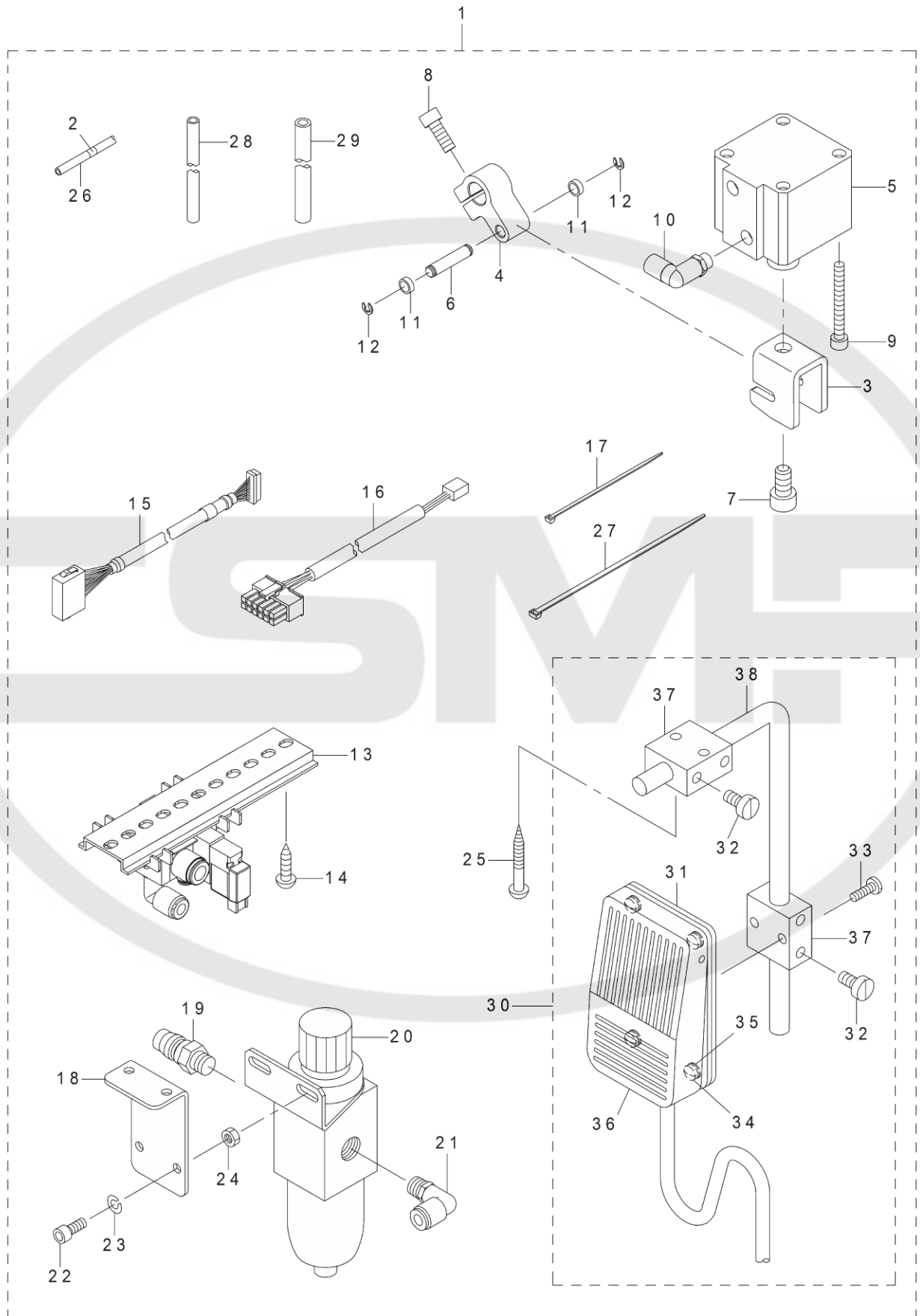




No	note	Parts No.	DESCRIPTION	Qty
1		MAH152010A0	RULER	1
2		40112214	EDGE GUIDE FITTING PLATE	1
3		SM6051402TP	SCREW M5X0.8 L=14	2
4		SM6061402TP	SCREW M6 L=14	2

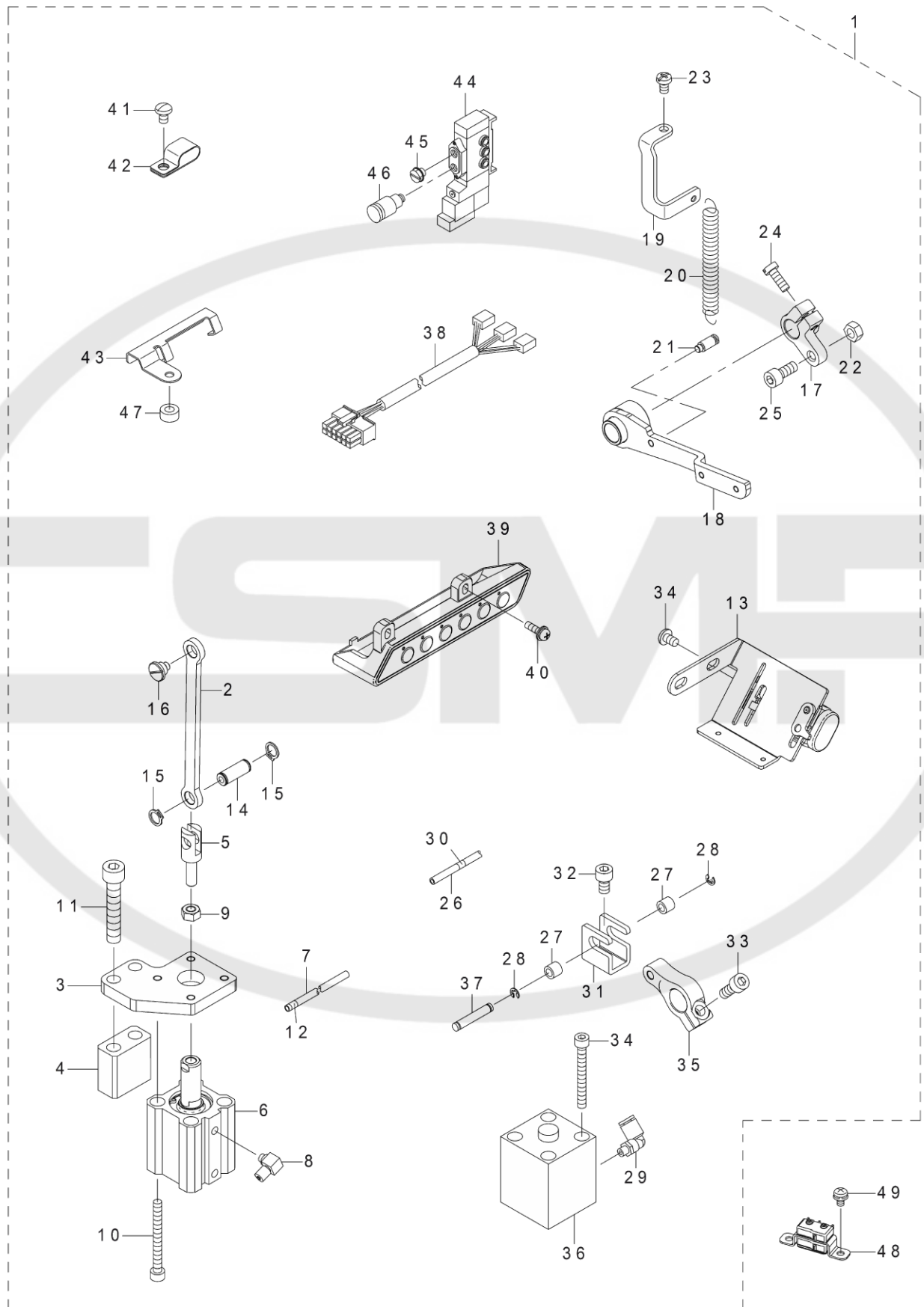
1... /



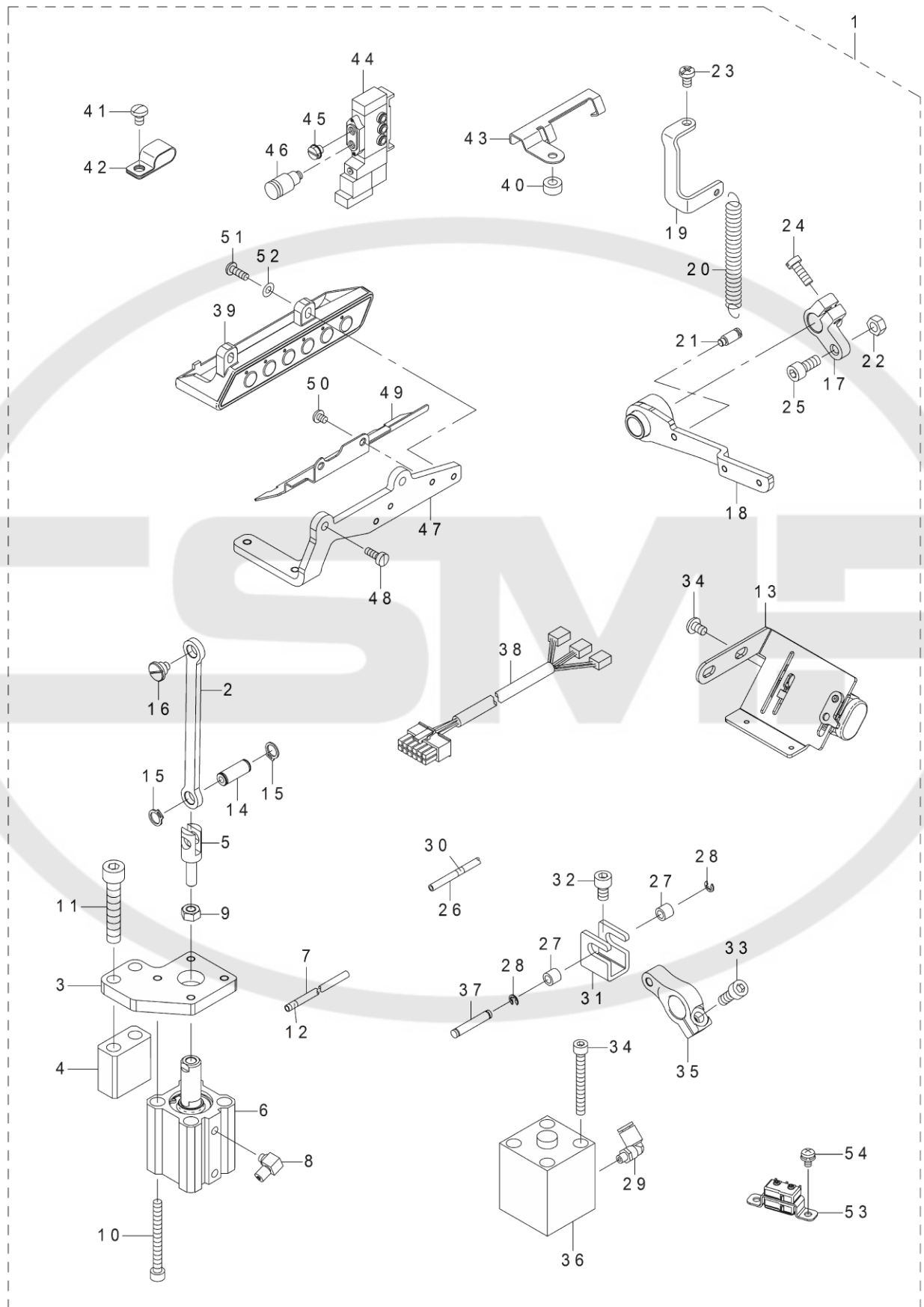


No	note	Parts No.	DESCRIPTION	Qty
1		40138572	AK KIT	1
2		18035907	WIRE MARK (10)	(2)
3		40112187	KNUCKLE JOINT A	(1)
4		40112188	LIFTING ARM	(1)
5		PA400150200	AIR CYLINDER	(1)
6		22949101	ROLLER FULCRUM SHAFT	(1)
7		SM6081552TP	SCREW M8 L=15	(1)
8		SM6061602TP	SCREW M6 L=16	(1)
9		SM6054502TN	SCREW	(4)
10		PJ304045102	ELBOW UNION C	(1)
11		13951009	PRESSER FOOT ROLLER	(2)
12		RE040000K0	E-RING 4	(2)
13		40133982	SOLENOID VALVE ASM.	(1)
14		SK3482001SE	WOOD SCREW D=4.8 L=20	(4)
15		40133985	AIR VALVE RELAY CABLE ASM.	(1)
16		40133983	SOLENOID VALVE CABLE ASM.	(1)
17		EA9500B0100	CABLE BAND	(2)
18		13860408	REGULATOR BRACKET	(1)
19		PJ025100003	PLUG	(1)
20		PF055107000	FILTER REGULATOR	(1)
21		PJ304065101	ELBOW UNION 6XPT1/8	(1)
22		SM6051202TP	SCREW M5X0.8 L=12	(2)
23		WS0510002KN	SPRING WASHER M5	(2)
24		NM6050001SP	NUT M5	(2)
25		SK3514000SC	WOOD SCREW D=5.1 L=40	(2)
26		BT0400251EB	URETHANE HOSE BLACK	(1.8)
27		EA9500B0200	CABLE BAND 150	(3)
28		BT0600401EB	TUBE	(1)
29		BT0800501EB	VINYL TUBE	(1)
30		40025036	KNEE SWITCH ASM.	(1)
31		MAT80232T00	KNEE SWITCH SUPPORT PLATE	(1)
32		SS6151220SP	SCREW 15/64-28 L=11.5	(4)
33		SS7111410SP	SCREW 11/64-40 L=14	(2)
34		SS7110710SL	SCREW 11/64-40 L=7.0	(4)
35		WP0480856SP	WASHER 4.8X8.4X0.8	(4)
36		40025035	KNEE SWITCH ASM.	(1)
37		MAT80230T00	KNEE SWITCH SUPPORT BASE	(2)
38		MAT80231T00	DRIVING BAR T002	(1)

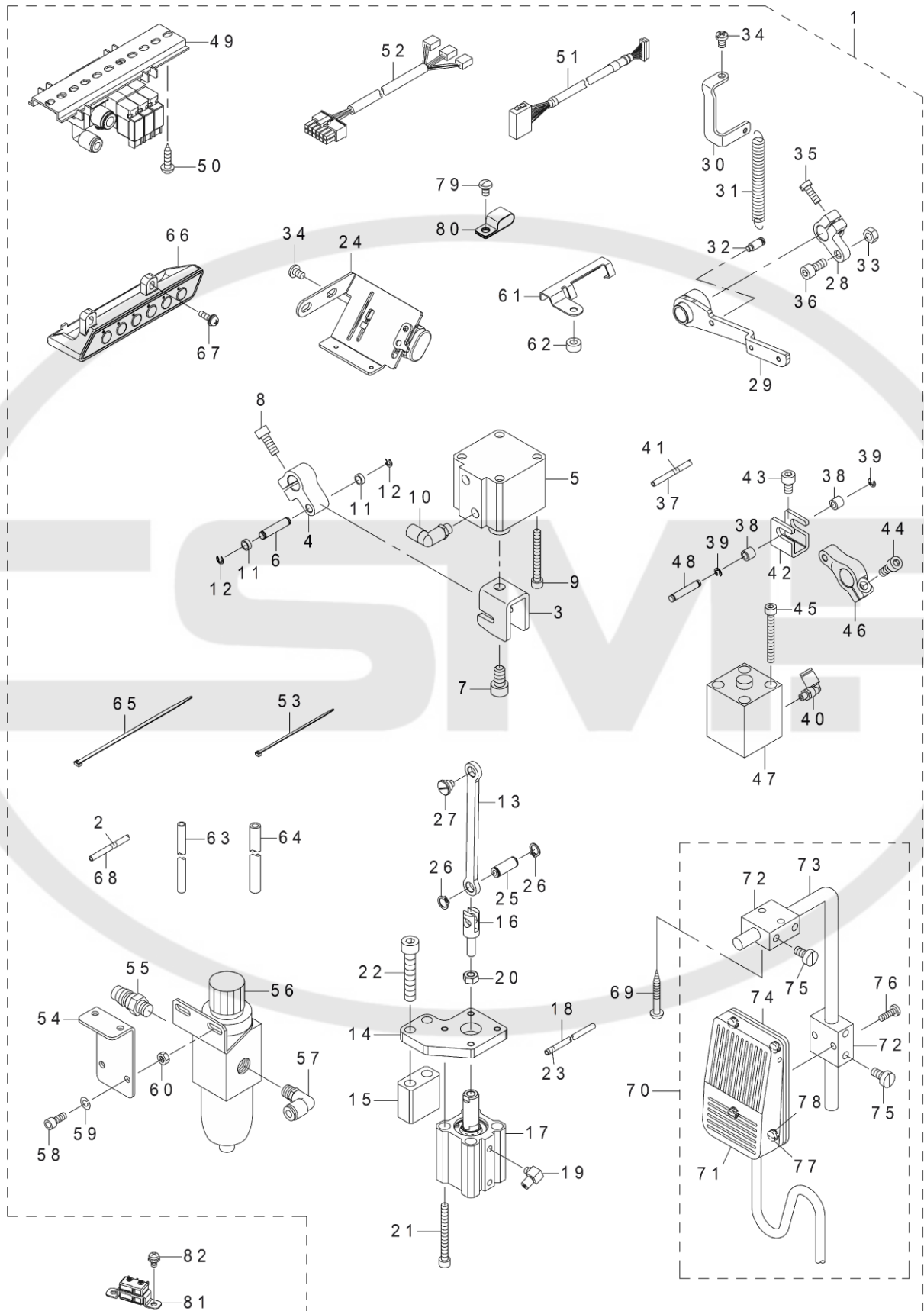




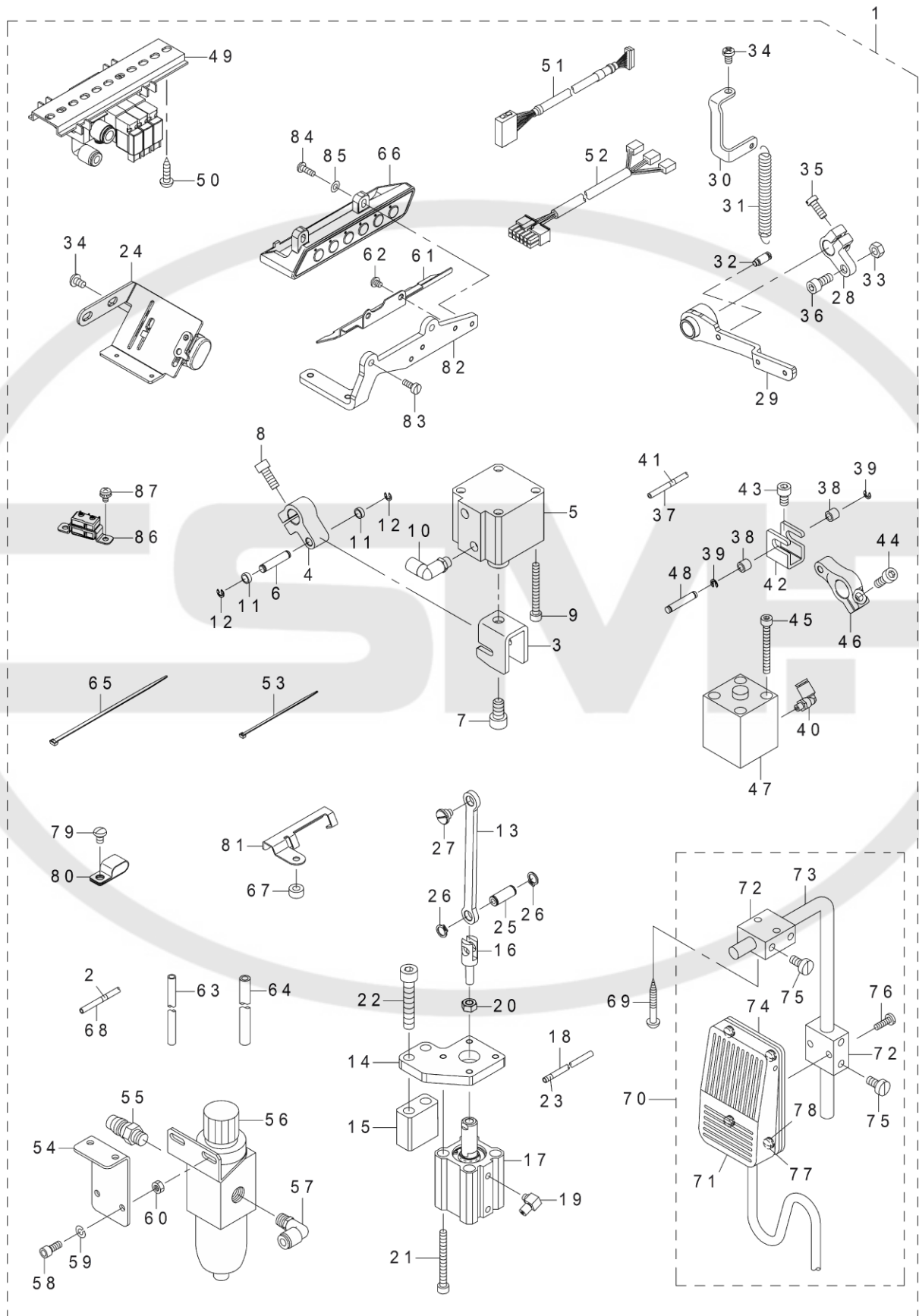
No	note	Parts No.	DESCRIPTION	Qty
1		40138898	BT DL KIT	1
2		40130413	BT LINK	(1)
3		40130024	BT CYLINDER PLATE	(1)
4		40130414	BT CYLINDER BLOCK	(1)
5		40052254	CYLINDER KNUCKLE JOINT	(1)
6		PA250250900	AIR CYLINDER	(1)
7		BT0400251EB	URETHANE HOSE BLACK	(1.8)
8		PJ046052503	HOSE ELBOW	(1)
9		NM6060001CP	NUT M6	(1)
10		SM6055002TP	SCREW M5 L=50	(4)
11		SM6084502TP	SCREW	(2)
12		18035709	WIRE MARK (8)	(2)
13		40130285	TB SWITCH ASSY	(1)
14		10714103	CONNECTION LINK PIN A	(1)
15		RC0740811KP	C-RING	(2)
16		SD0800406TP	SHOULDER SCREW D=8 H=4	(1)
17		40112127	BACKWARD FEED CONNECTING ARM	(1)
18		40129991	REVERSE FEED LEVER ASM.	(1)
19		40125864	REVERSE FEED LEVER SPRING HOOK	(1)
20		D2629M1YC0F	SPRING	(1)
21		26229302	SUSPENSION SCREW	(1)
22		NM6050001SD	NUT M5X0.8	(1)
23		SM4050855SP	SCREW	(3)
24		SM6051400SP	SCREW	(1)
25		SM6051202TP	SCREW M5X0.8 L=12	(1)
26		BT0400251EB	URETHANE HOSE BLACK	(1.8)
27		B3031141H00	CONNECTING STUD	(2)
28		RE0320000K0	E-RING 3.2	(2)
29		PJ304040504	ELBOW UNION	(1)
30		18035501	WIRE MARK (6)	(2)
31		40112191	KNUCKLE JOINT B	(1)
32		SM6061002TP	SCREW M6 L=10	(1)
33		SM6061602TP	SCREW M6 L=16	(1)
34		SM6054502TP	SCREW M5X0.8 L=45	(2)
35		40112192	TERTICAL CYLINDER ARM	(1)
36		PA250250900	AIR CYLINDER	(1)
37		B1504210000	CONNECTING SHAFT	(1)
38		40133979	SOLENOID VALVE CABLE ASM.	(1)
39		40130287	6RANGE SWITCH ASM	(1)
40		SL4041491SC	SCREW 4 X 14	(2)
41		SM4050855SP	SCREW	(4)
42		D2112555B00	CORD HOLDER LARGE	(3)
43		40134805	CABLE HOLDER	(1)
44		PV150209100	SOLENOID VALVE	(2)
45		PJ020500002	PLUG	(2)
46		PJ301040502	HALF UNION 4XM5	(2)
47		B3417051000	REAR LIFTING BAR ROLLER	(1)
48	#01	40130289	VERTICAL DETECTOR SWITCH ASM.	1
49	#01	SL4040691SC	SCREW M4 L=6	2



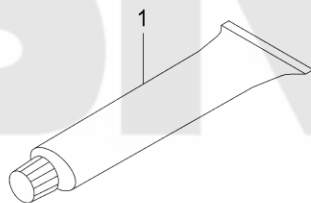
No	note	Parts No.	DESCRIPTION	Qty
1		40139586	BT DL KIT	1
2		40130413	BT LINK	(1)
3		40130024	BT CYLINDER PLATE	(1)
4		40130414	BT CYLINDER BLOCK	(1)
5		40052254	CYLINDER KNUCKLE JOINT	(1)
6		PA250250900	AIR CYLINDER	(1)
7		BT0400251EB	URETHANE HOSE BLACK	(1.8)
8		PJ046052503	HOSE ELBOW	(1)
9		NM6060001CP	NUT M6	(1)
10		SM6055002TP	SCREW M5 L=50	(4)
11		SM6084502TP	SCREW	(2)
12		18035709	WIRE MARK (8)	(2)
13		40130285	TB SWITCH ASSY	(1)
14		10714103	CONNECTION LINK PIN A	(1)
15		RC0740811KP	C-RING	(2)
16		SD0800406TP	SHOULDER SCREW D=8 H=4	(1)
17		40112127	BACKWARD FEED CONNECTING ARM	(1)
18		40129991	REVERSE FEED LEVER ASM.	(1)
19		40125864	REVERSE FEED LEVER SPRING HOOK	(1)
20		D2629M1YC0F	SPRING	(1)
21		26229302	SUSPENSION SCREW	(1)
22		NM6050001SD	NUT M5X0.8	(1)
23		SM4050855SP	SCREW	(3)
24		SM6051400SP	SCREW	(1)
25		SM6051202TP	SCREW M5X0.8 L=12	(1)
26		BT0400251EB	URETHANE HOSE BLACK	(1.8)
27		B3031141H00	CONNECTING STUD	(2)
28		RE0320000K0	E-RING 3.2	(2)
29		PJ304040504	ELBOW UNION	(1)
30		18035501	WIRE MARK (6)	(2)
31		40112191	KNUCKLE JOINT B	(1)
32		SM6061002TP	SCREW M6 L=10	(1)
33		SM6061602TP	SCREW M6 L=16	(1)
34		SM6054502TP	SCREW M5X0.8 L=45	(2)
35		40112192	TERTICAL CYLINDER ARM	(1)
36		PA250250900	AIR CYLINDER	(1)
37		B1504210000	CONNECTING SHAFT	(1)
38		40133979	SOLENOID VALVE CABLE ASM.	(1)
39		40130287	6RANGE SWITCH ASM	(1)
40		B3417051000	REAR LIFTING BAR ROLLER	(1)
41		SM4050855SP	SCREW	(4)
42		D2112555B00	CORD HOLDER LARGE	(3)
43		40134805	CABLE HOLDER	(1)
44		PV150209100	SOLENOID VALVE	(2)
45		PJ020500002	PLUG	(2)
46		PJ301040502	HALF UNION 4XM5	(2)
47		40138933	RELEASE LEVER PLATE B	(1)
48		SM6041150TP	SCREW	(2)
49		40138934	SWICH COVER	(1)
50		SM4040501SN	SCREW M4X0.7 L=5	(2)
51		SM4041201SC	SCREW M4 L=12	(2)
52		WP0430801SC	WASHER M4	(2)
53		40130289	VERTICAL DETECTOR SWITCH ASM.	(1)
54		SL4040691SC	SCREW M4 L=6	(2)



No	note	Parts No.	DESCRIPTION	Qty
1		40138573	AK BT DL KIT	1
2		18035907	WIRE MARK (10)	(2)
3		40112187	KNUCKLE JOINT A	(1)
4		40112188	LIFTING ARM	(1)
5		PA400150200	AIR CYLINDER	(1)
6		22949101	ROLLER FULCRUM SHAFT	(1)
7		SM6081552TP	SCREW M8 L=15	(1)
8		SM6061602TP	SCREW M6 L=16	(1)
9		SM6054502TN	SCREW	(4)
10		PJ304045102	ELBOW UNION C	(1)
11		13951009	PRESSER FOOT ROLLER	(2)
12		RE040000K0	E-RING 4	(2)
13		40130413	BT LINK	(1)
14		40130024	BT CYLINDER PLATE	(1)
15		40130414	BT CYLINDER BLOCK	(1)
16		40052254	CYLINDER KNUCKLE JOINT	(1)
17		PA250250900	AIR CYLINDER	(1)
18		BT0400251EB	URETHANE HOSE BLACK	(1,8)
19		PJ046052503	HOSE ELBOW	(1)
20		NM6060001CP	NUT M6	(1)
21		SM6055002TP	SCREW M5 L=50	(4)
22		SM6084502TP	SCREW	(2)
23		18035709	WIRE MARK (8)	(2)
24		40130285	TB SWITCH ASSY	(1)
25		10714103	CONNECTION LINK PIN A	(1)
26		RC0740811KP	C-RING	(2)
27		SD0800406TP	SHOULDER SCREW D=8 H=4	(1)
28		40112127	BACKWARD FEED CONNECTING ARM	(1)
29		40129991	REVERSE FEED LEVER ASM.	(1)
30		40125864	REVERSE FEED LEVER SPRING HOOK	(1)
31		D2629M1YC0F	SPRING	(1)
32		26229302	SUSPENSION SCREW	(1)
33		NM6050001SD	NUT M5X0.8	(1)
34		SM4050855SP	SCREW	(3)
35		SM6051400SP	SCREW	(1)
36		SM6051202TP	SCREW M5X0.8 L=12	(1)
37		BT0400251EB	URETHANE HOSE BLACK	(1,8)
38		B3031141H00	CONNECTING STUD	(2)
39		RE032000K0	E-RING 3.2	(2)
40		PJ304040504	ELBOW UNION	(1)
41		18035501	WIRE MARK (6)	(2)
42		40112191	KNUCKLE JOINT B	(1)
43		SM6061002TP	SCREW M6 L=10	(1)
44		SM6061602TP	SCREW M6 L=16	(1)
45		SM6054502TP	SCREW M5X0.8 L=45	(2)
46		40112192	TERTICAL CYLINDER ARM	(1)
47		PA250250900	AIR CYLINDER	(1)
48		B1504210000	CONNECTING SHAFT	(1)
49		40133978	SOLENOID VALVE ASM.	(1)
50		SK3482001SE	WOOD SCREW D=4.8 L=20	(4)
51		40133985	AIR VALVE RELAY CABLE ASM.	(1)
52		40133979	SOLENOID VALVE CABLE ASM.	(1)
53		EA9500B0100	CABLE BAND	(2)
54		13860408	REGULATOR BRACKET	(1)
55		PJ025100003	PLUG	(1)
56		PF055107000	FILTER REGULATOR	(1)
57		PJ304065101	ELBOW UNION 6XPT1/8	(1)
58		SM6051202TP	SCREW M5X0.8 L=12	(2)
59		WS0510002KN	SPRING WASHER M5	(2)
60		NM6050001SP	NUT M5	(2)
61		40134805	CABLE HOLDER	(1)
62		B3417051000	REAR LIFTING BAR ROLLER	(1)
63		BT0600401EB	TUBE	(1,1)
64		BT0800501EB	VINYL TUBE	(1,1)
65		EA9500B0200	CABLE BAND 150	(3)
66		40130287	6RANGE SWITCH ASM.	(1)
67		SL4041491SC	SCREW 4 X 14	(2)
68		BT0400251EB	URETHANE HOSE BLACK	(1,8)
69		SK3514000SC	WOOD SCREW D=5.1 L=40	(2)
70		40025036	KNEE SWITCH ASM.	(1)
71		40025035	KNEE SWITCH ASM.	(1)
72		MAT80230T00	KNEE SWITCH SUPPORT BASE	(2)
73		MAT80231T00	DRIVING BAR T002	(1)
74		MAT80232T00	KNEE SWITCH SUPPORT PLATE	(1)
75		SS6151220SP	SCREW 15/64-28 L=11.5	(4)
76		SS7111410SP	SCREW 11/64-40 L=14	(2)
77		SS7110710SL	SCREW 11/64-40 L=7.0	(4)
78		WP0480856SP	WASHER 4.8X8.4X0.8	(4)
79		SM4050855SP	SCREW	(4)
80		D2112555B00	CORD HOLDER LARGE	(3)
81	#01	40130289	VERTICAL DETECTOR SWITCH ASM.	1
82	#01	SL4040691SC	SCREW M4 L=6	2



No	note	Parts No.	DESCRIPTION	Qty
1		40139587	AK BT DL KIT	1
2		18035907	WIRE MARK (10)	(2)
3		40112187	KNUCKLE JOINT A	(1)
4		40112188	LIFTING ARM	(1)
5		PA400150200	AIR CYLINDER	(1)
6		22949101	ROLLER FULCRUM SHAFT	(1)
7		SM6081552TP	SCREW M8 L=15	(1)
8		SM6061602TP	SCREW M6 L=16	(1)
9		SM6054502TN	SCREW	(4)
10		PJ304045102	ELBOW UNION C	(1)
11		13951009	PRESSER FOOT ROLLER	(2)
12		RE040000K0	E-RING 4	(2)
13		40130413	BT LINK	(1)
14		40130024	BT CYLINDER PLATE	(1)
15		40130414	BT CYLINDER BLOCK	(1)
16		40052254	CYLINDER KNUCKLE JOINT	(1)
17		PA250250900	AIR CYLINDER	(1)
18		BT0400251EB	URETHANE HOSE BLACK	(1,3)
19		PJ046052503	HOSE ELBOW	(1)
20		NM6060001CP	NUT M6	(1)
21		SM6055002TP	SCREW M5 L=50	(4)
22		SM6084502TP	SCREW	(2)
23		18035709	WIRE MARK (8)	(2)
24		40130285	TB SWITCH ASSY	(1)
25		10714103	CONNECTION LINK PIN A	(1)
26		RC0740811KP	C-RING	(2)
27		SD0800406TP	SHOULDER SCREW D=8 H=4	(1)
28		40112127	BACKWARD FEED CONNECTING ARM	(1)
29		40129991	REVERSE FEED LEVER ASM	(1)
30		40125864	REVERSE FEED LEVER SPRING HOOK	(1)
31		D2629M1YC0F	SPRING	(1)
32		26229302	SUSPENSION SCREW	(1)
33		NM6050001SD	NUT M5X0.8	(1)
34		SM4050855SP	SCREW	(3)
35		SM6051400SP	SCREW	(1)
36		SM6051202TP	SCREW M5X0.8 L=12	(1)
37		BT0400251EB	URETHANE HOSE BLACK	(1,8)
38		B3031141H00	CONNECTING STUD	(2)
39		RE032000K0	E-RING 3.2	(2)
40		PJ304040504	ELBOW UNION	(1)
41		18035501	WIRE MARK (6)	(2)
42		40112191	KNUCKLE JOINT B	(1)
43		SM6061002TP	SCREW M6 L=10	(1)
44		SM6061602TP	SCREW M6 L=16	(1)
45		SM6054502TP	SCREW M5X0.8 L=45	(2)
46		40112192	TERTICAL CYLINDER ARM	(1)
47		PA250250900	AIR CYLINDER	(1)
48		B1504210000	CONNECTING SHAFT	(1)
49		40133978	SOLENOID VALVE ASM.	(1)
50		SK3482001SE	WOOD SCREW D=4.8 L=20	(4)
51		40133985	AIR VALVE RELAY CABLE ASM.	(1)
52		40133979	SOLENOID VALVE CABLE ASM.	(1)
53		EA9500B0100	CABLE BAND	(2)
54		13860408	REGULATOR BRACKET	(1)
55		PJ025100003	PLUG	(1)
56		PF055107000	FILTER REGULATOR	(1)
57		PJ304065101	ELBOW UNION 6XPT1/8	(1)
58		SM6051202TP	SCREW M5X0.8 L=12	(2)
59		WS0510002KN	SPRING WASHER M5	(2)
60		NM6050001SP	NUT M5	(2)
61		40138934	SWICH COVER	(1)
62		SM4040501SN	SCREW M4X0.7 L=5	(2)
63		BT0600401EB	TUBE	(1,1)
64		BT0800501EB	VINYL TUBE	(1,1)
65		EA9500B0200	CABLE BAND 150	(3)
66		40130287	6RANGE SWITCH ASM.	(1)
67		B3417051000	REAR LIFTING BAR ROLLER	(1)
68		BT0400251EB	URETHANE HOSE BLACK	(1,8)
69		SK3514000SC	WOOD SCREW D=5.1 L=40	(2)
70		40025036	KNEE SWITCH ASM.	(1)
71		40025035	KNEE SWITCH ASM.	(1)
72		MAT80230T00	KNEE SWITCH SUPPORT BASE	(2)
73		MAT80231T00	DRIVING BAR T002	(1)
74		MAT80232T00	KNEE SWITCH SUPPORT PLATE	(1)
75		SS6151220SP	SCREW 15/64-28 L=11.5	(4)
76		SS7111410SP	SCREW 11/64-40 L=14	(2)
77		SS7110710SL	SCREW 11/64-40 L=7.0	(4)
78		WP0480856SP	WASHER 4.8X8.4X0.8	(4)
79		SM4050855SP	SCREW	(4)
80		D2112555B00	CORD HOLDER LARGE	(3)
81		40134805	CABLE HOLDER	(1)
82		40138933	RELEASE LEVER PLATE B	(1)
83		SM6041150TP	SCREW	(2)
84		SM4041201SC	SCREW M4 L=12	(2)
85		WP0430801SC	WASHER M4	(2)
86		40130289	VERTICAL DETECTOR SWITCH ASM.	(1)
87		SL4040691SC	SCREW M4 L=6	(2)



No	note	Parts No.	DESCRIPTION	Qty
1		40006323	JUKI GREASE A TUBE	1



